



WINDSTAR

Your satisfaction is our #1 goal. If you have questions or concerns with your vehicle, we suggest you follow these steps:

1. Contact your Sales Representative or Service Advisor at your selling/servicing dealership.
2. If the inquiry or concern remains unresolved, contact the Sales Manager or Service Manager at the dealership.
3. If the inquiry or concern cannot be resolved at the dealership level, please contact the Ford Customer Assistance Center.

In the United States:

**Ford Motor Company
Customer Assistance Center
300 Renaissance Center
P.O. Box 43360
Detroit, MI 48243
1-800-392-3673 (FORD)
TDD for the hearing impaired: 1-800-232-5952**

In Canada:

**Customer Assistance Centre
Ford Motor Company of Canada, Limited
P.O. Box 2000
Oakville, Ontario L6J 5E4
1-800-565-3673 (FORD)**

Outside the U.S. or Canada:

**Ford Motor Company
Worldwide Export Operations
1555 Fairlane Drive
Fairlane Business Park #3
Allen Park, Michigan 48101
Telephone: (313) 594-4857
Fax: (313) 390-0804**

All rights reserved. Reproduction by any means, electronic or mechanical, including photocopying, recording, or by any information storage and retrieval system or translation in whole or part is not permitted without written authorization from Ford Motor Company.

Copyright © 1996 Ford Motor Company

Table of Contents

Introduction	1
Instrumentation	7
Audio	29
Controls and Features	71
Seating and Safety Restraints	135
Starting	205
Driving	211
Roadside Emergencies	235
Maintenance and Care	269
Capacities and Specifications	323
Reporting Safety Defects	329
Customer Assistance	331
Accessories	341
Quick Index	349
Index.	359
Service Station Information	380

Ford's Commitment to You

At Ford Motor Company, excellence is the continuous commitment to achieve the best result possible. It is dedication to learning what you want, determination to develop the right concept, and execution of that concept with care, precision, and attention to detail. In short, excellence means being the standard by which others are judged.

Our Guiding Principles

- **Quality comes first.** For your satisfaction, the quality of our products and services must be our number one priority.
- **You are the focus of everything we do.** Our work must be done with you in mind, providing better products and services than our competition.
- **Continuous improvement is essential to our success.** We must strive for excellence in everything we do: in our products — in their safety and value — and in our services, our human relations, our competitiveness, and our profitability.
- **Employee involvement is our way of life.** We are a team. We must treat one another with trust and respect.
- **Dealers and suppliers are our partners.** We must maintain mutually beneficial relationships with dealers, suppliers, and our other business associates.
- **Integrity is never compromised.** Our conduct worldwide must be pursued in a manner that is socially responsible and commands respect for its integrity and for its positive contributions to society.

Things to Know About Using This Guide

Congratulations on the purchase of your new vehicle. This guide has information about the equipment and the options for your new vehicle. You may not have bought all of the options available to you. If you do not know which information applies to your vehicle, talk to your dealer.

This guide describes equipment and gives specifications for equipment that was in effect when this guide was approved for printing. Ford may discontinue models or change specifications or design without any notice and without incurring obligation.

NOTES and WARNINGS

NOTES give you additional information about the subject matter you are referencing.

WARNINGS remind you to be especially careful in those areas where carelessness can cause damage to your vehicle or personal injury to yourself, your passengers or other people. Please read all **WARNINGS** carefully.

 WARNING

Finding Information in This Guide

After you have read this guide once, you will probably return to it when you have a specific question or need additional information. To help you find specific information quickly, you can use the Quick Index or the Index.

The **Quick Index** at the end of the book provides a page number following each item which indicates where detailed information can be found.

To use the **Index**, turn to the back of the book and search in the alphabetical listing for the word that best describes the information you need. If the word you chose is not listed, think of other related words and look them up. We have designed the Index so that you can find information under a technical term.

Canadian Owners — French Version

French Owner Guides can be obtained from your dealer or by writing to Ford Motor Company of Canada, Limited, Service Publications, P.O. Box 1580, Station B, Mississauga, Ontario L4Y 4G3.

Your Maintenance Schedule Booklet

The *Maintenance Schedule* booklet lists the services that are most important for keeping your vehicle in good condition. A record log is also provided to help you keep track of all services performed.

About the Warranties

Your vehicle is covered by three types of warranties: **Basic Vehicle Warranty**, **Extended Warranties** on certain parts, and **Emissions Warranties**.

Read your *Warranty Information Booklet* carefully to find out about your vehicle's warranties and your basic rights and responsibilities.

If you lose your *Warranty Information Booklet*, you can get a new one free of charge. Contact any Ford or Lincoln-Mercury dealer, or refer to the addresses and phone numbers on the first page of this Owner's Guide.

Ford Extended Service Plan

If you bought your vehicle in the U.S., you can buy a Ford Extended Service Plan for your vehicle. This optional contract provides service protection for a longer period of time than the basic warranty that comes with your vehicle.

You do not have to buy this option when you buy your vehicle. However, your option to purchase the Ford Extended Service Plan runs out after 18 months or 18,000 miles. See your dealer for more details about the Ford Extended Service Plan.

If you are a Canadian owner and did not take advantage of the Ford Extended Service Plan at the time of purchase, you may still be eligible. See your dealer for the details.

Breaking Your Vehicle In

Your new vehicle goes through an adjustment or break-in period during the first 1,000 miles (1,600 km) that you drive it. During the break-in period, you need to pay careful attention to how you drive your vehicle.

- **Avoid sudden stops.** Because your vehicle has new brake linings, you should take these steps:
 - Watch traffic carefully so that you can anticipate when to stop.
 - Begin braking well in advance.
 - Apply the brakes gradually.

The break-in period for new brake linings lasts for 100 miles (160 km) of city driving or 1,000 miles (1,600 km) of highway driving.

Introduction

- Wheel lug nuts must be retightened to proper torque specifications at 500 miles/800 km of new vehicle operation. Proper torque specifications are provided in this guide. Also retighten to proper torque specifications at 500 miles/800 km after any wheel change or any other time the wheel lug nuts have been loosened.
- **Use only the type of engine oil that Ford recommends.** See *Engine oil recommendations* in the Index. Do not use special “break-in” oils.

Your vehicle is equipped with an Electronic Powertrain Control Module that limits engine and/or vehicle speeds with a cut-out mode to promote durability.

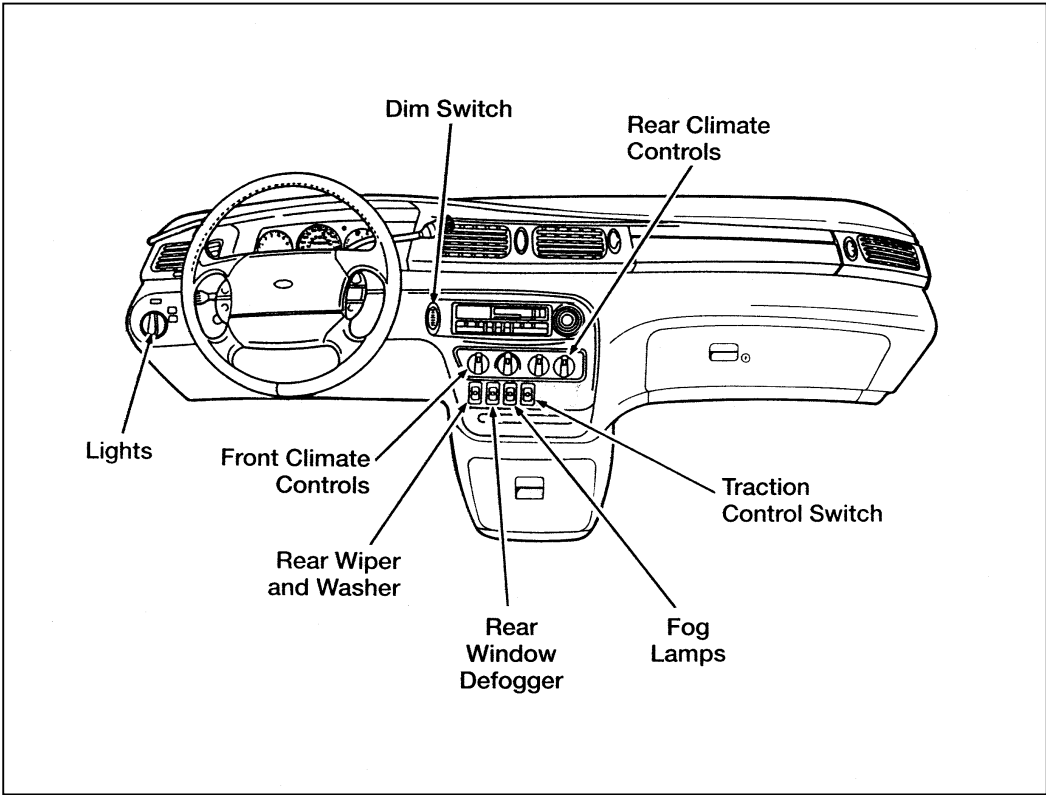
The instrument panel (dashboard) on your vehicle is divided into several different sections. The illustrations on the following pages show the major parts of the instrument panel that are described in this chapter. Some items shown may not be on all vehicles.

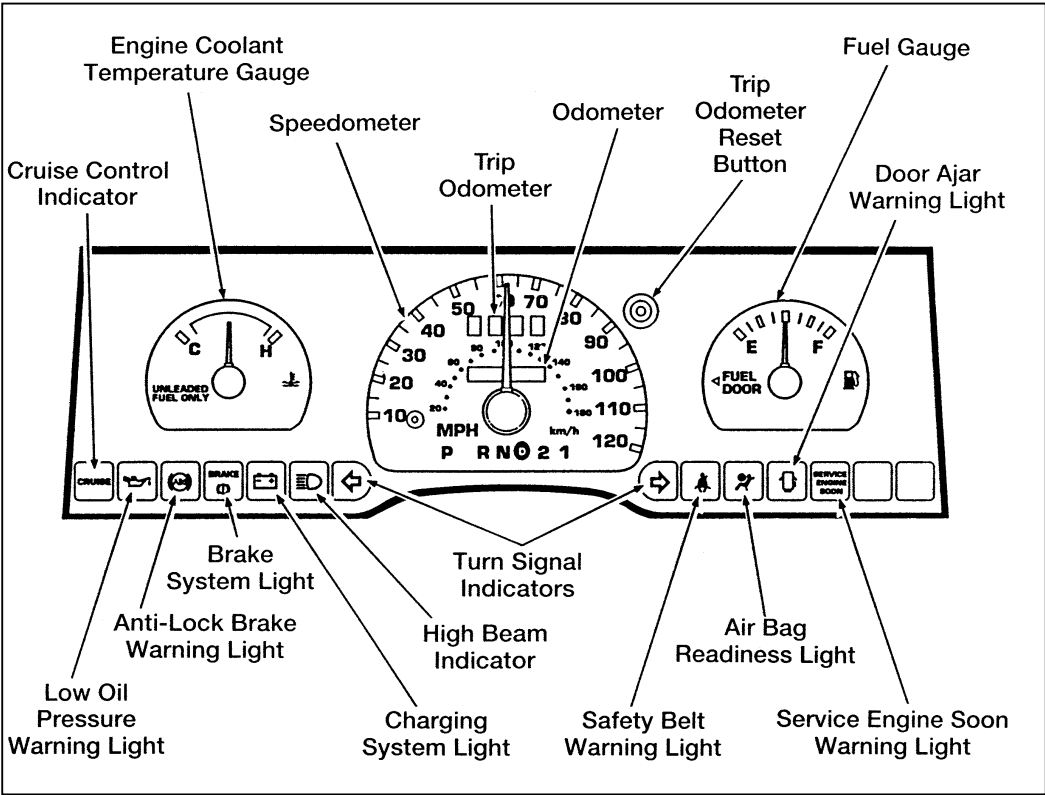
Your vehicle has one of the following clusters:

- Mechanical Cluster
- Mechanical Cluster with a tachometer

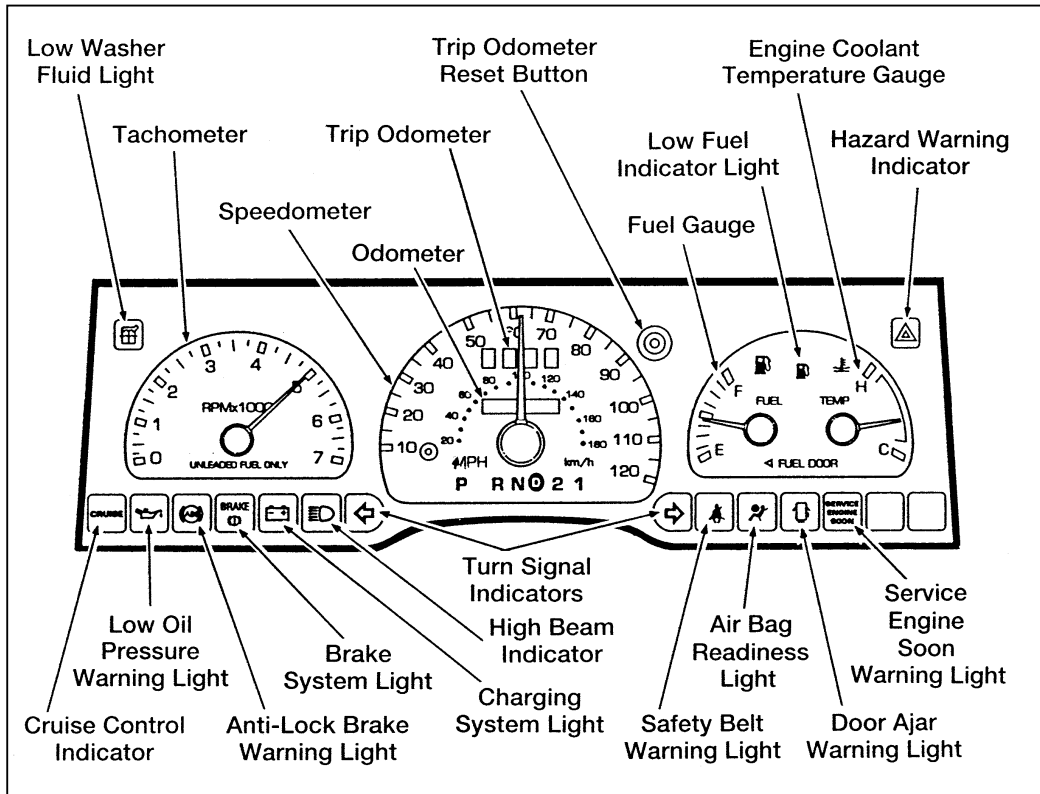
If you are not sure which cluster your vehicle has, check the diagrams on the following pages.

The instrument panel





The mechanical cluster with tachometer



The Mechanical Cluster

The following warning lights and gauges are on the Mechanical Cluster. All of these indicators alert you to the status of vehicle systems or possible problems with your vehicle. Some of the lights listed are optional. The following section explains each of the indicators.

Warning and Indicator Lights

Brake System Light

The warning light for the brakes indicates two things — that either the parking brake is on or not fully released, or that the brake fluid level is low in the master cylinder reservoir. If the fluid level is low, add fluid to the reservoir as defined under the procedure in “Maintenance and Care.”

BRAKE



The brake system light

The BRAKE light normally comes on when you turn the ignition key to the ON or START position to verify that the indicator bulb is working. If the light stays on or comes on when the engine is running and after you have released the parking brake fully, check the brake fluid.

⚠ WARNING

The BRAKE light indicates that the brakes may not be working properly. Have the brakes checked immediately.

Anti-lock Brake System (ABS) Warning Light

To check the anti-lock brake warning light, turn the ignition key to the ON position. The ABS warning light should glow momentarily.

NOTE: If it does not glow at all or stays on for a long time, have your vehicle's electrical system checked immediately.



The anti-lock brake warning light

WARNING

If the anti-lock brake system warning light remains on or comes on while driving, have the braking system checked by a qualified service technician as soon as possible.

NOTE: If a fault occurs in the anti-lock system, and the brake warning light is not lit, the anti-lock system is disabled but normal brake function remains operational.

Safety Belt Warning Light and Chime

This warning light and chime remind you to fasten your safety belt. The following conditions will take place:

- If the driver does not fasten the safety belt before the ignition is turned to ON, the chime will sound for four (4) to eight (8) seconds and the light will illuminate for one (1) to two (2) minutes, or until the safety belt is fastened.

- If the driver fastens the safety belt before the ignition is turned to ON, the chime will not sound and the light will not illuminate.
- If the safety belt is buckled while the light is on and the chime is sounding, both the light and the chime turn off.



The safety belt warning light

Service Engine Soon Warning Light

This light illuminates when the engine's Emission Control System requires service. It will also illuminate when the ignition key is in the ON position and the engine is off.

The text "SERVICE ENGINE SOON" is displayed in a bold, sans-serif font, arranged in three lines: "SERVICE" on the top line, "ENGINE" on the middle line, and "SOON" on the bottom line. The text is centered within a rectangular border.

The service engine soon warning light

Modifications or additions to the vehicle may cause incorrect operation of the OBD II system. Additions such as burglar alarms, cellular phones, and CB radios must be carefully installed. Do not install these devices by tapping into or running wires close to powertrain control system wires or components.

The light comes on briefly when you turn the ignition key to **ON**, but it should turn off when the engine starts. If the light does not come on when you turn the ignition to **ON** or if it comes on and stays on when you are driving, have your vehicle serviced as soon as possible. This indicates a possible problem with one of the vehicle's emission control systems. You do not need to have your vehicle towed in.

If the light turns on and off at one (1) second intervals while you are driving the vehicle, it means that the engine is misfiring. If this condition persists, damage could occur to the engine or catalytic convertor. Have your vehicle serviced at the first opportunity. You do not need to have your vehicle towed in.

If the light turns on and off on rare occasions while you are driving, it means that a malfunction occurred and the condition corrected itself.

An example of a condition which corrects itself occurs when an engine running out of fuel begins to misfire. In this case, the Service Engine Soon Warning Light may turn on and will then set a Diagnostic Trouble Code indicating that the engine was misfiring while the last of the fuel was being consumed. After refueling, the Service Engine Soon Warning Light will turn off after the vehicle has completed three consecutive warm up cycles without a misfire condition occurring. A warm up cycle consists of engine start from a cold condition (engine at ambient temperature) and running until the engine reaches normal operating temperature.

On the fourth engine start up, the Service Engine Soon Warning Light will turn off as soon as the engine begins to crank. It is not necessary to have the engine serviced.

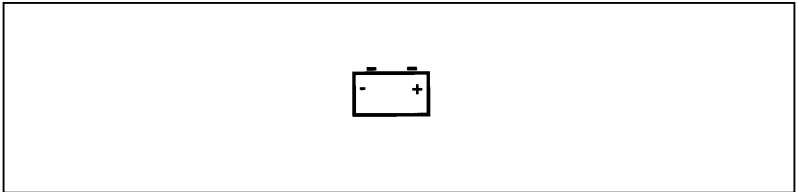
Under certain conditions, the Service Engine Soon Light may come on if the fuel cap is not properly installed. If the Service Engine Soon Light comes on and you suspect that the fuel cap is not properly installed, pull off the road as soon as it is safely possible and turn off the engine. Remove and replace the cap, making sure it is properly seated.

After completing the three consecutive warm up cycles and on the fourth engine start up, the Service Engine Soon Warning Light should turn off. If the light does not go off after the fourth engine re-start, have your vehicle serviced by your dealer or a qualified technician.

Charging System Light

This light indicates that your battery is not being charged. The light illuminates briefly during the display self-test every time you turn your ignition key to the ON position. The light will go off when the key is turned to the START position. The light should stay off when the self-test is done if the engine is running and the alternator is charging.

If the light stays on or illuminates when the engine is running, have the electrical system checked as soon as possible.



The charging system light

Oil Pressure Light



The oil pressure light

This light indicates the engine's oil pressure, not the oil level. However, if your engine's oil level is low, it could affect the oil pressure. The light should come on every time your ignition key is turned to ON or START, and should go out when the engine starts. If the light stays on or turns on while the engine is running, you have lost oil pressure and continued operation will cause severe engine damage.

If you lose engine oil pressure:

1. Pull off the road as soon as safely possible.
2. Shut off the engine immediately. If you do not stop the engine as soon as safely possible, severe engine damage could result.
3. Check the engine's oil level. (See "Checking and Adding Engine Oil" in the *Maintenance and Care* chapter of this Owner Guide.) If you do not follow these instructions, you or others could be injured. To ensure an accurate reading, your vehicle should be on level ground.
4. If the level is low, add only as much oil as necessary before you start the engine again. Do not overfill. Do not operate the engine if the light is on regardless of the oil level. Contact your nearest dealer for further service.

Door Ajar Warning Light

If the ignition switch is in the ON position and any door or the liftgate is not completely closed, the light will illuminate.

If the light illuminates, safely stop the vehicle and check and close all doors until the light turns off.



The door ajar warning light

Air Bag Readiness Light

This light indicates that the Air Bag system is not functional and needs to be serviced. The light illuminates for approximately six seconds when the ignition is turned to the ON position to verify that the indicator bulb is working. If the light fails to illuminate, flashes continuously, or remains on, have the air bag system serviced as soon as possible.



The air bag readiness light

Turn Signal Indicator Lights

See “Turn Signals” in the *Controls and Features* chapter of this Owner Guide.



The turn signal indicator lights

If one or both of your turn signal indicators does not light up or remains on continuously when you signal a turn, have the turn signaling system serviced as soon as possible.

Turn Signal Warning Chime

If you drive with either turn signal on for more than 1/2 mile, a chime will sound every time the flasher is activated until the turn signal is turned off. This feature can be activated or deactivated by performing the following procedure:

1. Ensure the ignition switch is on the OFF position and the front doors are closed.
2. Place the key into the ignition and turn it to RUN, then turn the ignition to OFF and remove the key from the ignition.
3. Press and hold the rear defroster control. While holding the defroster control, put the key into the ignition and wait until a tone sounds for two seconds.
4. When the tone sounds, release the defroster control.
5. If you hear one beep after the tone, the feature is activated. If you hear two beeps after the tone, the feature is deactivated.

High Beam Light

This light comes on when the headlamps are turned to high beam or when the high beams are flashed. If your vehicle is equipped with Daytime Running Lights (Canadian vehicles only) and they are on when the high beams are flashed, the high beam indicator will not light.



The high beam indicator light

Low Windshield Washer Fluid Level Warning (If equipped)

This light indicates that the level of your washer fluid is low, and you have to add more fluid. This light comes on briefly after you turn your ignition key from the START to the ON position. If the washer fluid is low, a one second chime will sound and the light will remain on for 60 seconds. If the washer fluid is not low, the light should turn off a few seconds after the engine has started. The light and chime also come on if the washer fluid is low when you use your windshield washers.

The washer fluid is only checked when the engine is started or the windshield washers are in operation. The light will not come on if the fluid level becomes low while you are driving unless you turn on the windshield washers.



The low windshield washer indicator light

Low Fuel Indicator Light (If equipped)

This light comes on when your fuel gauge indicates approximately 1/16 of a tank. The ignition must be turned to ON in order for this light to come on.



The low fuel indicator light

Cruise Control Indicator

A CRUISE light is displayed in the instrument cluster when the speed control system is engaged. The display will turn off when the brake pedal is pressed or if speed control is shut off.

This display does not indicate any problems with the speed control, but is simply a convenient way of knowing when it is active.

The word "CRUISE" is displayed in a large, outlined, sans-serif font, centered within a white rectangular box.

The speed control light

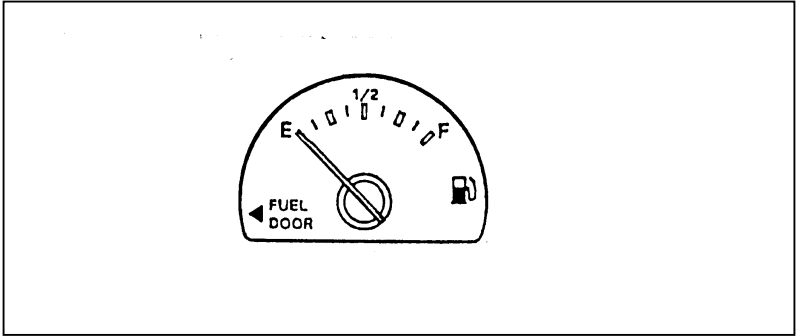
Gauges

Fuel Gauge

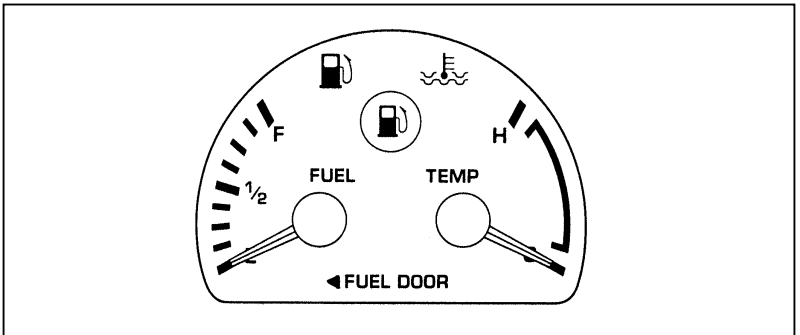
The fuel gauge displays approximately how much fuel is in the fuel tank only when the ignition is ON. For proper fuel gauge indication after adding fuel, the ignition should be in the OFF position while the vehicle is being refueled.

Instrumentation

The fuel gauge indicator may also vary slightly when the vehicle is in motion. With the ignition OFF, the fuel gauge indicator may drift from the ignition ON position as well.



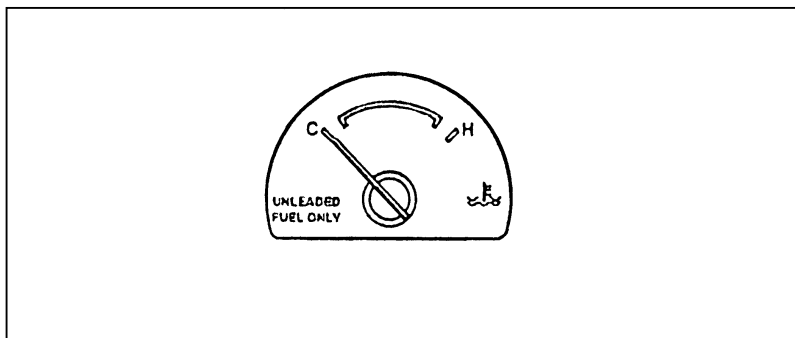
Fuel gauge — base cluster



The engine coolant temperature and fuel gauge

Engine Coolant Temperature Gauge

This gauge indicates the temperature of the engine coolant, not the coolant level. If the coolant is not at its proper level or mixture, the gauge indication will not be accurate.



Engine coolant temperature gauge — base cluster

The pointer moves from the C (cold) mark into the NORMAL band as the engine coolant warms up. It is acceptable for the pointer to fluctuate within the normal band under normal driving conditions. Under certain driving conditions such as heavy stop and go traffic, or driving up hills in hot weather, the pointer may indicate at the top of the NORMAL band. This is also acceptable.

If, under any circumstances, the pointer moves above the NORMAL band, the engine is overheating and continued operation may cause engine damage.

If your engine overheats:

1. Pull off the road as soon as it is safely possible.
2. Turn off the engine. If you do not stop the engine as soon as safely possible, severe engine damage could result.

3. Let the engine cool. **DO NOT REMOVE COOLANT SYSTEM FILL CAP UNTIL THE ENGINE IS COOL.**
4. Check the coolant level following the instructions on checking and adding coolant to your engine in this Owner Guide. See *engine coolant* in the index. If you do not follow these instructions, you or others could be injured.

If the coolant continues to overheat, have the coolant system serviced as soon as possible.

Speedometer

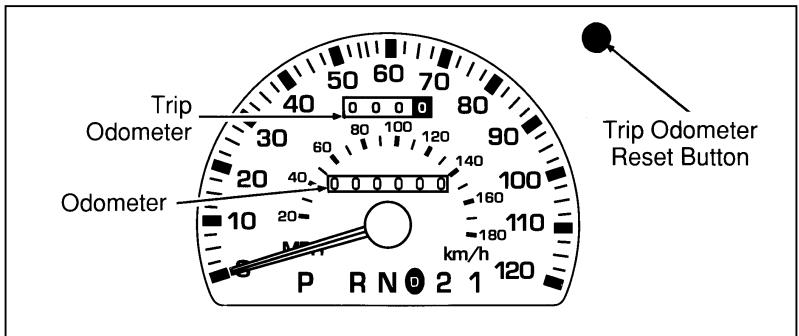
The speedometer tells you how many miles (kilometers) per hour your vehicle is moving.

Odometer

The odometer records the total distance the vehicle has been driven.

Trip Odometer

The trip odometer records the distance of individual trips. Before each trip, set the trip odometer to zero by pushing the reset control.



The speedometer, odometer and trip odometer

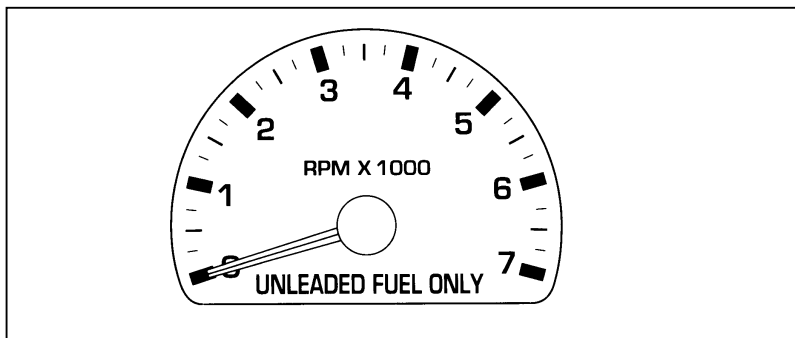
Tachometer (If equipped)

The tachometer will show you the engine's speed measured in revolutions per minute (RPM).

The tachometer may move slightly when the key is placed in the ACC or ON position, with the engine off. This is normal and does not affect the performance of the tachometer when the engine is running.

Some vehicles are equipped with an engine speed (RPM) limiting device that is contained within the Electronic Engine Control Module. The purpose of this device is to maintain peak engine speed (RPM) below a specified limit. (Engine speed limits may vary based on engine size.)

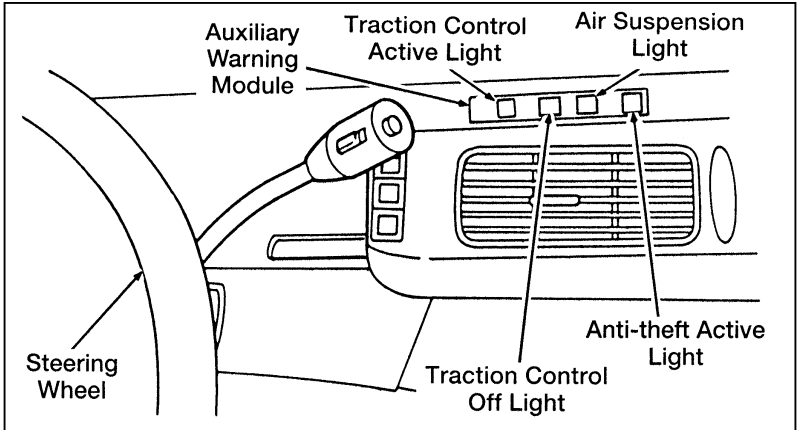
If you are experiencing an "engine cut-out" condition at high speeds, it may be the result of this limiting device. It is a normal condition and can be avoided by reducing vehicle/engine speed.



The tachometer

Auxiliary Warning Module (If equipped)

An additional bank of indicator and warning lights is located above the driver's side vent, just to the right of the steering wheel. The light(s) located in this module are described and illustrated below.



The auxiliary warning module

Traction Control Active Light

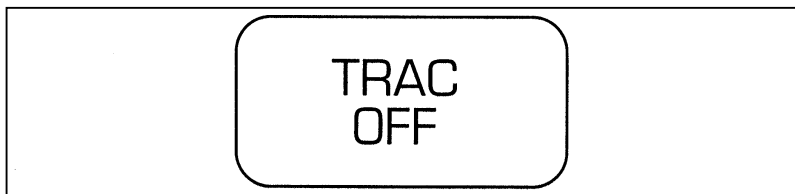
This light comes on when the Traction Control system begins applying and releasing the brakes and adjusting the engine characteristics to limit a wheelspin condition. You may feel some steering changes and hear some noise, but this is normal.

**TRAC
ACTIVE**

The Traction Control light will stay on for a minimum of four seconds.

Traction Control Off Light

This light comes on when the Traction Control system is not operating. In some conditions, you may want to turn Traction Control off, such as when rocking your vehicle out of deep snow or mud.



Traction Control will automatically turn off to prevent the brakes from overheating. The system will turn back on once the brakes have cooled down.

NOTE: If the TRAC OFF light is flashing repeatedly, it means that there is a Traction Control system malfunction and the system is inoperative. Contact your dealer for service as soon as possible.

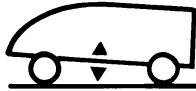
Anti-Theft Active Indicator Light

This indicator is used in the optional Anti-Theft System. See “Anti-Theft System” in the *Controls and Features* chapter of this Owner Guide.



The anti-theft active indicator light

Air Suspension Warning Light

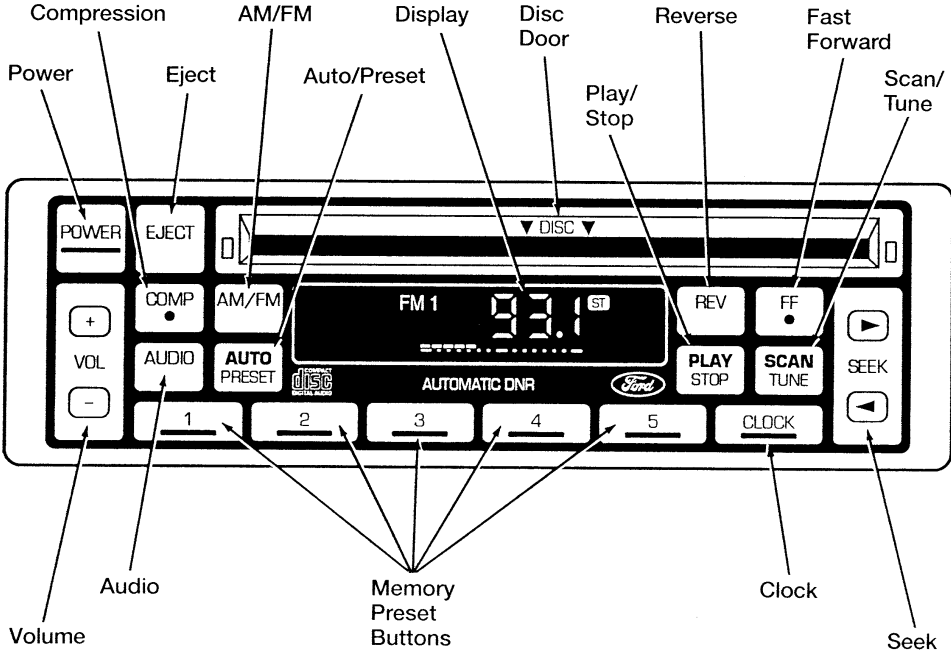


The air suspension warning light

The warning light for the Air Suspension indicates one of two things:

1. The service switch (located in the jack storage area) is in the “off” position.
2. A system malfunction has occurred electronically disabling Air Suspension function.

NOTE: If the switch is returned to or in the “ON” position and the light does not go out after recycling the ignition switch OFF/ON, the Air Suspension should be checked by a qualified service technician.



Compact Disc Radio

The Compact Disc Radio combines the Electronic Stereo Radio with the Ford Compact Disc Player.

Using the Controls on Your New Radio/CD Player

Most of the features of this unit work for both radio and CD operation, depending on which mode the unit is in. Also, some of the buttons control several different functions, so be sure to read all of the operating instructions carefully.

How to turn the radio on and off

Press the “POWER” button to turn the radio on. Press it again to turn it off.

How to adjust the volume

Press the (+/-) side of the “VOL” button to increase/decrease the volume. Bars illuminate in the display to show the relative volume level.

NOTE: If the volume level is set above a certain listening level when the ignition switch is turned off, when the ignition switch is turned back on, the volume will come back to a “nominal” listening level. However, if the radio power is turned off, the volume will remain in the position it was set at when radio power was switched off.

Selecting the AM or FM frequency band

Push the “AM/FM” button to select the desired frequency band. When in the radio mode, pushing the button more than once will alternate between AM, FM1 and FM2. These functions are used with the station memory buttons described under *How to tune radio stations*.

Electronic Sound Systems

How to tune radio stations

There are four ways for you to tune in a particular station. You can manually locate the station using the “SCAN/TUNE” button, “SEEK” the station, “SCAN” to the station or select the station by using the memory buttons, which you can set to any desired frequency. These four methods are described below.

■ Using the “SCAN/TUNE” button to manually tune

You can change the frequency up or down one increment at a time (FM changes in increments of 200kHz; AM changes in increments of 10kHz) by first pressing the “SCAN/TUNE” button twice (display shows “TUNE”), then — **within approximately five seconds** — pressing and releasing either the top ► or bottom ◀ half of the “SEEK” button. To change frequencies quickly, press and **hold down** either the top or bottom half of the “SEEK” button. While you are manually tuning, the display will show a blinking “M”.

Manual tuning adjusts your radio to any allowable broadcast frequency, whether or not a station is present on that frequency. (See *All About Radio Frequencies* in this section.)

■ Using the “SEEK” function

This feature on your radio allows you to automatically select listenable stations up or down the frequency band. Press the top ► half of the “SEEK” button to select the next listenable station up the frequency band. Press the bottom ◀ half of the button to select the next listenable station down the frequency band. By pressing and holding the button, listenable stations can be passed over to reach the desired station.

■ Using the “SCAN/TUNE” button to scan radio stations

Pressing the “SCAN/TUNE” button once enters the scan mode (display will indicate “SCN”). Pushing the top ► half of the “SEEK” button will begin the scan mode up the frequency band, stopping on each listenable station for approximately five seconds. Pushing the bottom ◀ half of the “SEEK” button will begin the scan mode down the frequency band, again stopping on each listenable station for approximately five seconds.

To stop the scan mode on the presently sampled station, press the “SCAN/TUNE” button again.

■ Setting the station MEMORY PRESET buttons

Your radio is equipped with 5 station memory buttons. These buttons can be used to select up to 5 preset AM stations and 10 FM stations (5 in FM1 and 5 in FM2). Follow the easy steps below to set these buttons to the desired frequencies.

1. Select a band, then select a frequency.
2. Press one of the memory preset buttons and hold the button until the sound returns. That station is now held in memory on that button.
3. Follow the two steps above for each station memory preset button you want to set.

Electronic Sound Systems

Using the Automatic Memory Load and Automatic Memory Store features

NOTE: If no stations are in memory presets, you can activate the feature by pressing and holding the “AUTO PRESET” button for approximately three seconds. Auto Memory Load sets all memory buttons in AM, FM1 and FM2 sequentially by seeking out the first five strong stations for the respective band and storing them in memory buttons 1-5. (FM2 will store the second set of strong stations from the FM band.)

With Auto Memory Store, you can continually set strong stations into your memory buttons without losing your existing memory presets, which is especially helpful while traveling. Your radio will automatically set your memory buttons to the strong local stations so you don't have to continually manually tune to existing stations.

Activate Auto Memory Store by pushing the “AUTO PRESET” button once. Your radio will set the first five strong stations of the band you are in (AM, FM1 or FM2) into the memory buttons. The display will show “AUTO,” then run through the frequencies, stopping momentarily on the stations being set into the memory buttons. The radio is now in the “AUTO” mode and the display will show “AUTO” each time a preset is activated.

NOTE: If there are fewer than five strong stations in the frequency band, the remaining unfilled buttons will store the last strong station detected on the band.

After all stations have been filled, the radio will begin playing the station stored on memory button 1.

To deactivate the Auto Memory Store mode and return to the manually-set memory button stations (or those stations set using Auto Memory Load), simply push the “AUTO PRESET” button. Display will show “AUTO” then “OFF.” The next time Auto Memory Store is activated on that band, the radio will store the next set of five strong stations.

Using the “AUDIO” button to adjust the tone balance and speaker output

■ Increasing or decreasing bass response

Push the “AUDIO” button repeatedly until the display reads “BASS.” Push the “+” side of the “VOL” button to increase bass (more “lows”), and push the “-” side to decrease bass (less “lows”).

■ Increasing or decreasing treble response

Push the “AUDIO” button repeatedly until the display reads “TREB.” Push the “+” side of the “VOL” button to increase treble (more “highs”), and push the “-” side to decrease treble (less “highs”).

■ Adjusting speaker balance

Balance control allows you to adjust the sound distribution between the right and left speakers. Push the “AUDIO” button repeatedly until the display reads “BAL.” Push the “+” side of the “VOL” button to shift the sound to the right speakers, and push the “-” side to shift the sound to the left speakers.

Electronic Sound Systems

■ Adjusting speaker fader

Fade control allows you to adjust the sound distribution between the front and rear speakers. Push the “AUDIO” button repeatedly until the display reads “FADE.” Push the “+” side of the “VOL” button to shift the sound to the front speakers, and push the “-” side to shift the sound to the rear speakers.

NOTE: Illuminated bars in the display show relative levels of bass and treble and positions of speaker balance and fader functions for five seconds after adjustments are made, then revert to volume level set.

Clock operation

When in the radio mode, push the “CLOCK” button to switch from radio frequency to clock. Only the clock numerals will be displayed in the clock mode — there is no A.M./P.M. indication. When in the clock mode, the time will be displayed until the button is pushed again. However, if you retune the radio while it is in the clock mode, the new radio frequency will be displayed for approximately ten seconds and then change back to clock.

When in the CD mode, push the “CLOCK” button to change the display from elapsed time mode to track number mode to clock mode. If the CD track selection is changed when you are in the clock or elapsed time mode, the new track number will be displayed for approximately ten seconds and then revert back to the previous mode.

To set the clock, simultaneously press the “CLOCK” button and either the bottom (◀) half of the “SEEK” button to set hours, or the top (▶) half of the “SEEK” button to set minutes.

NOTE: The clock can be set with the radio and/or ignition on or off.

Using the Controls on Your New Compact Disc Player

Your new Ford Compact Disc Player is capable of playing 12 cm *or* 8 cm discs, without an adapter. The player operates when the power is on and a disc is inserted (**label side up**). Handle the disc by its edge only. (Be sure to read and follow all of the care and cleaning instructions under *How To Take Care of and Clean Your CD Player and Discs*.)

NOTE: If after you insert a disc, the disc is ejected and “ERROR” begins scrolling in the display, remove the disc and reinsert it right side up (label side up).

The digital display on your CD player will either show the track (selection) number or the elapsed time. (The display mode can be selected by pressing the “CLOCK” button.) Indicators for play (▶), stop (■) and compression on (“C”) are also in the display. (These features are described later.)

Once a disc is inserted, operation of the CD player will override that of the radio.

NOTE: The volume, bass, treble, balance and fader controls on the radio are also used with the CD player. Refer to earlier operating instructions on these controls.

How to insert a disc and begin play

Insert one disc, **label side up** into the disc opening. When inserted, the disc automatically loads into the unit and play starts at the beginning of the first track (selection).

When the disc reaches the end, the disc player automatically returns to the beginning of the disc and resumes playing.

NOTE: Once a disc is inserted, the disc opening is secured to prevent the accidental insertion of a second disc.

Electronic Sound Systems

NOTE: The CD player has heat protection circuitry to protect the laser diode. If the temperature of the player reaches 167°F (75°C), the heat detection circuit will shut off the player and “TOO HOT” will scroll in the display for five seconds (radio will resume playing). When the temperature returns to normal operating range, the CD player will again be operational.

How to stop and restart the CD player

When a disc is loaded, the unit automatically enters the play mode and the play indicator ► illuminates. To stop temporarily, press the “PLAY/STOP” button or the “AM/FM” button. The stop indicator ■ in the display illuminates and operation returns to the radio mode. To resume CD play, press the “PLAY/STOP” button once again.

NOTE: If the ignition key is turned OFF during play and then is set to the ON or ACCESSORY position, the CD player will resume playing in the mode it was in when ignition was turned off.

How to fast forward or reverse your CD player

To quickly search for a particular point in a selection, press the “FF” button (to fast forward) or the “REV” button (to reverse). While either button is pressed, the disc goes forward or backward at two different speeds depending on how long the button is held down. (Pressing either button for more than three seconds will speed up the process.) Release the button at the desired point (found by watching the elapsed playing time in the display or by listening to the sound during fast forward or reverse). When you have reached the beginning of track 1, the CD player will begin playing.

When you have reached the end of the disc by keeping the fast forward button pressed, the display will show “END” and the player will go into pause mode. Push the “PLAY/STOP” button to begin playing the first track of the disc, press the “REV” button to back up from the end of the disc, or use the “SEEK” function to locate a desired track.

Using the “SEEK” feature

Press the top (▶) of the “SEEK” button once to repeat the current playing selection. Press the bottom (◀) of the “SEEK” button to advance to the next selection.

Pressing and holding the top (▶) or bottom (◀) of the “SEEK” button will scroll backward and forward respectively through the tracks.

Using the “SCAN” function

Press the “SCAN/TUNE” button to enter the scan mode. Once in the scan mode, press the top (▶) or bottom (◀) half of the “SEEK” button to scan forward or reverse, respectively. The CD player will begin scanning the disc, stopping on each listenable track for approximately eight seconds. This continues until you press the “SCAN/TUNE” button a second time. While in the scan mode, the display shows the current sampled track number.

Special features of your CD player

■ Compression

The compression feature will bring soft and loud passages closer together for a more consistent listening level.

To turn the compression on, press the “COMP” button. When on, the compression indicator (“C”) will appear in the display. Press the button again to turn off.

Electronic Sound Systems

■ Automatic Disc Storage

If the disc is ejected from the CD player but is not removed from the disc opening within approximately 10 seconds, the player will automatically reload the disc for storage, unless the disc is automatically ejected due to a “focus error” (disc inserted upside down). In this case, the disc will not be automatically reloaded.

How to eject the disc

Push the “EJECT” button to stop play, eject the disc and resume radio operation of your audio system.

NOTE: You can eject the disc while the radio power and/or ignition is on or off.

How To Take Care of and Clean Your CD Player and Discs

To ensure the continued performance of your Ford Compact Disc Player, carefully read the following precautions:

- Always handle the disc by its edge. Never touch the playing surface.
- Before playing, inspect the disc for any contamination. If needed, clean the disc with an approved disc cleaner, such as the Discwasher[®] Compact Disc Cleaner or the Allsop 3[®] Compact Disc Cleaner, by wiping from the center out to the edges. **Do not use a circular motion to clean.**
- Do not clean discs with solvents such as benzine, thinner, commercially available cleaners or antistatic spray intended for analog records.
- Do not expose the disc to direct sunlight or heat sources such as defroster and floor heating ducts. Do not leave any discs in a parked car in direct sunlight where there may be a considerable rise in temperature or damage may result.

-
- After playing, store the disc in its case.
 - If a disc has already been inserted, do not try to insert another disc. Doing so may damage the disc player.
 - Do not insert anything other than a disc into the disc player.

NOTE: The use of optical instruments with this product will increase eye hazard as the laser beam used in this compact disc player is harmful to the eyes. Do not attempt to disassemble the case. Refer servicing to qualified personnel only.

Common Operating Conditions of Your CD Player

The following information is designed to help you recognize typical situations that could be mistakenly interpreted as mechanical malfunctions of the disc player.

- A disc is already loaded.
- The disc is inserted with the label surface downward.
- The disc is dusty or defective.
- The player's internal temperature is above 167°F (75°C). Allow the player to cool off before operating.
- Different manufacturers of compact discs may produce discs with different dimensions or tolerances, some of which may not be within industry standards or in accordance with the CD format. Because of this, a new disc that is free of dust and scratches could be defective and may not play on your Ford Compact Disc Player.

Electronic Sound Systems

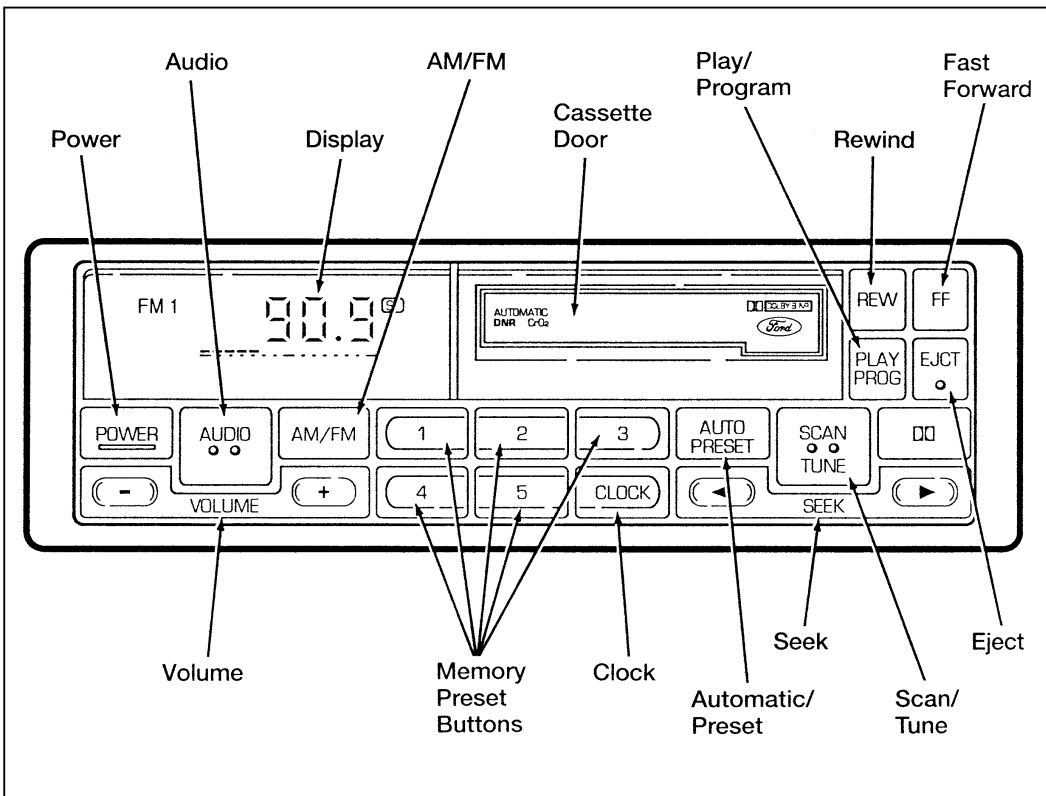
If play does not begin after the CD button is pushed:

- The radio is not on.
- The unit is in the stop mode.
- Moisture may have condensed on the lenses within the unit. If this occurs, remove the disc and wait approximately an hour until the moisture evaporates.

If the sound skips:

- Badly scratched discs or extremely rough roads will cause the sound to skip. Skipping will not damage the disc player or scratch the discs.

High-Level Audio System



Electronic Sound Systems

High-Level Audio System

Ford's High-Level Audio System delivers quality performance for maximum listening enjoyment.

Using the Controls on Your New Radio

How to turn the radio on and off

Press the "POWER" button to turn the radio on. Press it again to turn it off.

How to adjust the volume

Press the (+/-) side of the "VOL" button to increase/decrease the volume. Bars illuminate in the display to show the relative volume level.

NOTE: If the volume level is set above a certain listening level when the ignition switch is turned off, when the ignition switch is turned back on, the volume will come back to a "nominal" listening level. However, if the radio power is turned off, the volume will remain in the position it was set at when radio power was switched off.

Selecting the AM or FM frequency band

Push the "AM/FM" button to select the desired frequency band. When in the radio mode, pushing the button more than once will alternate between AM, FM1 and FM2. These functions are used with the station memory buttons described under *How to Tune Radio Stations*.

How to tune radio stations

There are four ways for you to tune in a particular station. You can manually locate the station using the "SCAN/TUNE" button, "SEEK" the station, "SCAN" to the station or select the station by using the memory buttons, which you can set to any desired frequency. These four methods are described below.

■ Using the “TUNE” function

You can change the frequency up or down one increment at a time (FM changes in increments of 200 kHz; AM changes in increments of 10 kHz) by first pressing the “SCAN/TUNE” button twice (display shows “TUNE”), then — **within approximately five seconds** —pressing and releasing either the right ► or left ◀ side of the “SEEK” button. To change frequencies quickly, press and **hold down** either the right or left side of the “SEEK” button.

Manual tuning adjusts your radio to any allowable broadcast frequency, whether or not a station is present on that frequency. (See *All About Radio Frequencies* in this section.)

■ Using the “SEEK” function

This feature on your radio allows you to automatically select listenable stations up or down the frequency band. Press the right ► side of the “SEEK” button to select the next listenable station up the frequency band. Press the left ◀ side of the button to select the next listenable station down the frequency band. By holding the button down, listenable stations can be passed over to reach the desired station.

■ Using the “SCAN” function

Pressing the “SCAN/TUNE” button once enters the scan mode (display will indicate “SCN”). Pushing the right ► side of the “SEEK” button will begin the scan mode up the frequency band, stopping on each listenable station for approximately a five-second sampling. Pushing the left ◀ side of the “SEEK” button will begin the scan mode down the frequency band, again stopping on each listenable station for approximately a five-second sampling.

To stop the scan mode on the presently sampled station, press the “SCAN/TUNE” button again.

Electronic Sound Systems

■ Setting the station MEMORY PRESET buttons

Your radio is equipped with 5 station memory buttons. These buttons can be used to select up to 5 preset AM stations and 10 preset FM stations (5 in FM1 and 5 in FM2).

Follow the easy steps below to set these buttons to the desired frequencies:

1. Select a band, then select a frequency.
2. Press one of the memory preset buttons and hold the button until the sound returns. That station is now held in memory on that button.
3. Follow the two steps above for each station memory preset button you want to set.

■ Using the Automatic Memory Load feature

NOTE: If no stations are in memory presets, you can activate the feature by pressing and holding the “AUTO PRESET” button for approximately three seconds. Auto Memory Load sets all memory buttons in AM, FM1 and FM2 sequentially by seeking out the first five strong stations for the respective band and storing them in memory buttons 1-5. (FM2 will store the second set of strong stations from the FM band.)

With Auto Memory Store, you can continually set strong stations into your memory buttons without losing your existing memory presets, which is especially helpful while traveling. Your radio will automatically set your memory buttons to the strong local stations so you don't have to continually manually tune to existing stations.

Activate Auto Memory Store by pushing the “AUTO PRESET” button once. Your radio will set the first five strong stations of the band you are in (AM, FM1 or FM2) into the memory buttons. The display will show “AUTO”, then run through the frequencies, stopping momentarily on the stations being set into the memory buttons. The radio is now in the “AUTO” mode for the selected band and this display will show “AUTO” each time a preset is activated.

NOTE: If there are fewer than five strong stations in the frequency band, the remaining unfilled buttons will store the last strong station detected on the band.

After all stations have been filled, the radio will begin playing the station stored on memory button 1.

To deactivate the Auto Memory Store mode and return to the manually-set memory button stations (or those stations set using Auto Memory Load), simply push the “AUTO PRESET” button. Display will show “AUTO” then “OFF.” The next time Auto Memory Store is activated on that band, the radio will store the next set of five strong stations.

Adjusting the tone balance and speaker output of your radio

■ Increasing or decreasing bass response

Push the “AUDIO” button repeatedly until the display reads “BASS.” Push the “+” side of the “VOL” button to increase bass (more “lows”), and push the “-” side to decrease bass (less “lows”).

■ Increasing or decreasing treble response

Push the “AUDIO” button repeatedly until the display reads “TREB.” Push the “+” side of the “VOL” button to increase treble (more “highs”), and push the “-” side to decrease treble (less “highs”).

Electronic Sound Systems

■ Adjusting speaker balance

Balance control allows you to adjust the sound distribution between the right and left speakers. Push the “AUDIO” button repeatedly until the display reads “BAL.” Push the “+” side of the “VOL” button to shift the sound to the right speakers, and push the “-” side to shift the sound to the left speakers.

■ Adjusting speaker fader

Fade control allows you to adjust the sound distribution between the front and rear speakers. Push the “AUDIO” button repeatedly until the display reads “FADE.” Push the “+” side of the “VOL” button to shift the sound to the front speakers, and push the “-” side to shift the sound to the rear speakers.

NOTE: Illuminated bars in the display show relative levels of bass and treble and positions of speaker balance and fader functions for five seconds after adjustments are made, then revert to volume level set.

Using the Controls of Your Cassette Tape Player

How to insert a tape

Your cassette tape player is equipped with power loading. Once you insert a tape and push slightly (with the **open edge to the right**), the loading mechanism draws the tape the rest of the way in and play will begin after a momentary tape tightening process. Display indicates “M” (for metal/CrO₂) while tape is playing.

There are four ways to quickly locate a desired selection on the tape. You can use the fast forward, rewind, “SEEK” or “SCAN” function. Following are brief descriptions of each.

■ Fast forwarding the tape

To fast forward the tape, press the “FF” button. The radio will automatically begin playing until fast forward is manually stopped. At the end of the tape, the direction automatically reverses and plays the other side of the tape.

■ Rewinding the tape

To rewind the tape, press the “REW” button.

■ How to change the track of the tape being played

The alternate track of the tape can be selected anytime by pressing the “PLAY/PROG” button.

■ Using the “SEEK” function with your cassette tape player

While in the tape mode, push the right ► side of the “SEEK” button to seek forward to the next selection on the tape. Push the left ◀ side to seek the previous tape selection.


Electronic Sound Systems

NOTE: If you want to restart a currently playing tape selection, press the left (◀) side of the “SEEK” button after three seconds into the current selection.

Whirling sprockets in the display  indicate the direction of tape travel.

■ Using the “SCAN” function with your cassette tape player

Press the “SCAN/TUNE” button to enter the scan mode (display indicates “SCN”). Pushing the right ▶ side of the “SEEK” button will begin the forward scan mode on the tape currently playing, stopping on each tape selection for approximately an eight-second sampling.

Pushing the left ◀ side of the “SEEK” button will begin the reverse scan mode, stopping on each previous tape selection for approximately an eight-second sampling. While scanning, the display indicates whirling sprockets plus an “S”  S.

To stop the scan mode on the presently sampled tape selection, press the “SCAN/TUNE” button again.

How to eject the tape



To stop the tape and eject the cassette, press the “EJCT” button. The radio will resume playing if the radio power is on. The tape cartridge can be ejected with radio power (and/or ignition) on or off.

How to store the tape

Press the “AM/FM” button to stop the tape player and resume radio play. The cassette will be stored in the tape player and the ■ symbol in the display will be lit until you push the “PLAY PROG” button to resume tape play. Fast forward and fast rewind can be used while the tape is in storage mode without interrupting radio play.

Using the Dolby® B noise reduction feature

Dolby® is a Registered Trademark of Dolby Laboratories Licensing Corp.

Push the  button to activate. When on, the  symbol above the button will be lit.

Tips on Caring for the Cassette Player and Tapes

In order to keep your cassette tape player performing the way it was meant to, read and follow these simple precautions:

- Using a Ford or equivalent cassette cleaning cartridge to clean the tape player head after 10-12 hours of play will help maintain the best playback sound and proper tape operation.
- Only cassettes that are 90 minutes long or less should be used. Tapes longer than 90 minutes are thinner and subject to breakage or may jam the tape player mechanism.
- Protect cassettes from exposure to direct sunlight, high humidity and extreme heat or cold. If they are exposed to extreme conditions, allow them to reach a moderate temperature before playing.
- If a tape is loose inside the cassette, tighten it before playing by putting your finger or a pencil into one of the holes and turning the hub until the tape is tight.
- Loose labels on cassette tapes can become lodged in the mechanism. Remove any loose label material before inserting a cassette.
- Do not leave a tape in the cassette tape player when not in use. High heat in the vehicle can cause the cassette to warp.

Electronic Sound Systems

Tape error messages

Your cassette tape player is equipped to diagnose certain problems you may experience. Error codes are as follows:

Error 0 — Communication error between the radio controller and the tape controller. The cassette player will eject the tape. Insert the tape again. If the same error code appears, turn the ignition off, then back on again and insert the tape.

Error 1 — Possible problem cartridge. The cassette tape player will eject the tape. Insert the tape again. If the same error code appears in the display, try a different cartridge.

Error 2 — Tape eject or load failure. Your cassette tape player will go into the pause mode. Push “EJCT” to eject the tape. If the tape doesn’t eject, refer the problem to qualified personnel for service.

Clock Operation

How to view the clock mode

Press the “CLOCK” button to alternate the frequency and time in the display. In the clock mode, pressing any radio function will automatically display the radio frequency for approximately ten seconds before changing back to the clock mode.

How to set the clock

Press and hold in the “CLOCK” button, press the “SEEK” button left (◀) to advance the hours and right (▶) to advance the minutes.

NOTE: The clock displays 12-hour time with no AM/PM indications.

NOTE: On the High-Level Audio System, the clock can be set with the radio power on or off.

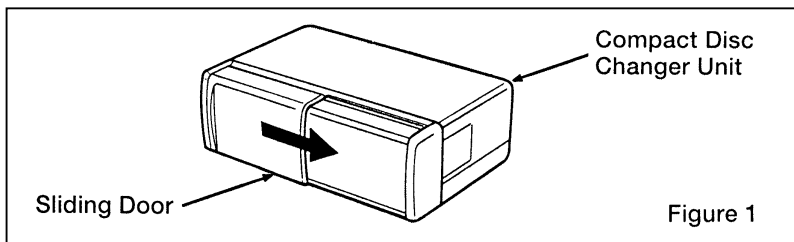
NOTE: In order to maintain the performance of your cassette stereo system, refer to “Tips on Caring for the Cassette Player and Tapes” later in this chapter.

The Ford 10-CD Changer System

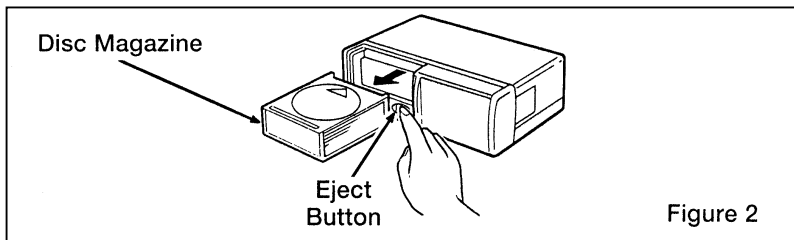
The Ford 10-CD Changer is mounted in your center floor console and holds 10 CDs, all controlled by using the buttons on your High-Level Audio System.

Center Floor Console Loading Instructions

1. Open Compact Disc Changer center floor console unit by sliding door to the right (Figure 1).

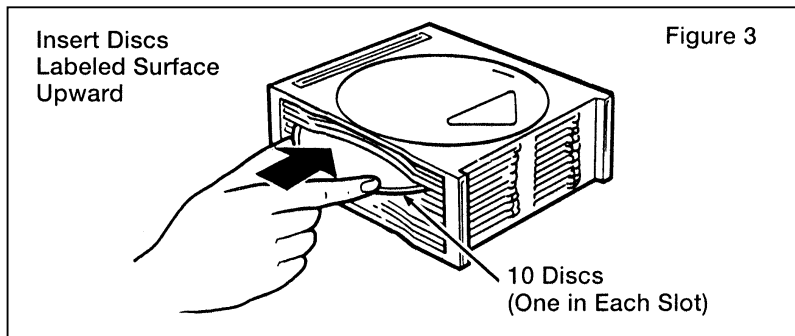


2. Push “EJECT” button to eject the disc “magazine” (holds 10 discs) (Figure 2).

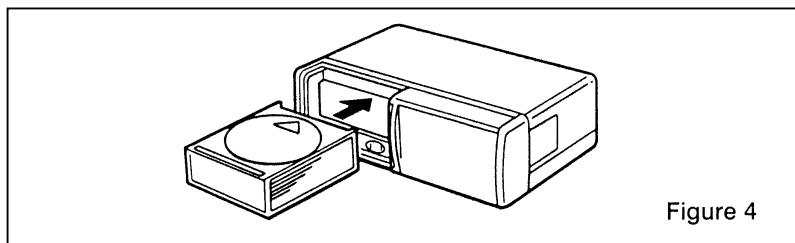


Electronic Sound Systems

- Load discs into disc magazine slots (numbered 1 through 10) one at a time with labeled surfaces upward, starting with bottom slot number 1 (Figure 3).



- Insert loaded disc magazine into chamber unit with the arrow on top of the disc magazine pointing toward the changer (Figure 4). **Make sure magazine is fully inserted into changer.**



NOTE: To remove one or more compact disc(s) from the disc magazine, push the corresponding lever(s) (numbered 1 to 10 on the side of the disc magazine) to the left. Disc(s) will partially come out for easy removal.

5. Close unit by sliding changer panel door to the left.

The Compact Disc Changer center floor console unit is now ready to play using the controls of your High-Level Audio System.

How to Operate the Ford 10-CD Changer Using the Controls on the Radio

If your vehicle is equipped with the Ford 10-CD Changer System, you can operate it through the controls of your High-Level Audio System.

Several of the controls on the radio operate in the same manner in CD mode as they do in radio or cassette mode: turning the power on, volume control and adjusting the bass, treble, speaker balance or fade.

How to begin CD Changer play

NOTE: Radio power must be on to operate the Compact Disc Changer.

Push the "PLAY PROG" button to begin CD play. (The radio will revert to the CD mode when "PLAY PROG" button is pushed and there is no cassette stored or playing in the cassette deck.) The 10-CD Changer will automatically begin playing the first track (selection) of the first disc loaded in the trunk unit. The display will indicate "CD-##" for track number. Three seconds after displaying "TR-##", the display will indicate "##-##" (CD number-Track number).

How to change the disc being played

When in the CD mode, you can change discs by pressing the "FF" button (to select the next discs) or the "REW" button (to select previous discs). Play will begin on the first track of the selected disc.

Electronic Sound Systems

If either button is pressed and held, the CD Changer will continue fast-forwarding or reversing through the discs in the disc magazine. During these functions, the display will indicate the disc number.

How to change the track being played

Press the right (▶) side of the “SEEK” button to seek forward to the next track of current disc. If the button is held and the last track is reached, the disc changer will automatically begin playing the last track of the current disc. After the last track has been completed, the disc changer advances to the next disc and begins play of track 1. The display indicates the track number while seeking.

Press the left (◀) side of the “SEEK” button to seek in reverse to the previous track on the current disc. If a selection has been playing for three seconds or more and you press the left (◀) side of the “SEEK” button, the CD Changer will replay that selection from the beginning.

Operating the CD Compression feature

The compression feature will bring soft and loud passages closer together for a more consistent listening level.

To turn the compression on, press the Dolby B noise reduction button. (While in the CD Changer mode, the Dolby button controls the compression function.) When the compression feature is activated, the display will indicate “C”.

How to stop CD play

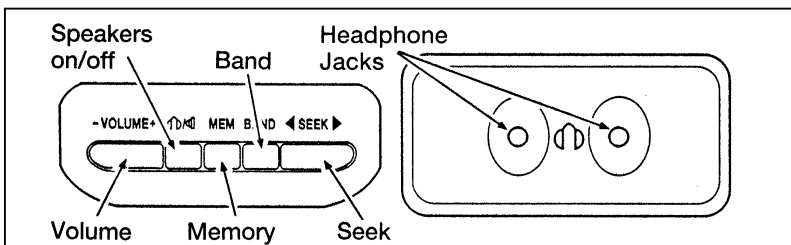
While in the CD Changer mode, press the “EJECT” button to stop CD play and resume radio play. Also, loading a cassette into the cassette deck will stop CD play and begin cassette play.

Rear Seat Radio Controls

Using the Rear Seat Radio Controls

Rear seat radio controls are standard equipment on all models with an overhead console.

The rear seat radio controls are located at the rear of the overhead console and the headphone jack is behind the driver on the left side of the vehicle. These controls duplicate several radio functions of the radio and allow the use of headphones in the vehicle.



Rear Seat Radio Controls

How to turn the rear seat radio controls on and off

Press memory preset buttons “1” and “3” simultaneously on the face of your radio to turn the rear seat radio controls on. A headphones symbol (🎧) will appear in the display when the rear seat controls are on. Press “1” and “3” simultaneously again to turn rear seat radio controls off.

How to adjust the volume

Press the right (+) side of the “VOLUME” rocker switch to increase volume, and push the left (-) side to decrease the volume of the rear speakers.

NOTE: Rear seat control volume can be set no higher than current radio setting unless speakers are turned off. See note under *How to turn speakers on and off*.

Electronic Sound Systems

Setting the AM or FM frequency band

Push the “BAND” button to change the frequency band.

Using the “MEMORY” button

Push the “MEMORY” button to access the station you have set into memory button 1 on the face of the radio. Successively pushing this button will access, numerically, all stations set into the Station Memory Preset buttons (1 through 5).

How to turn the speakers on and off

When the rear seat controls are on, push the “SPKRS ON-OFF” button to turn all speakers off. Push again to turn all speakers on.

NOTE: Turning the ignition off, then on again will not turn the speakers back on, if previously turned off by the “SPKRS ON-OFF” button on the rear seat controls.

Using the “SEEK” function

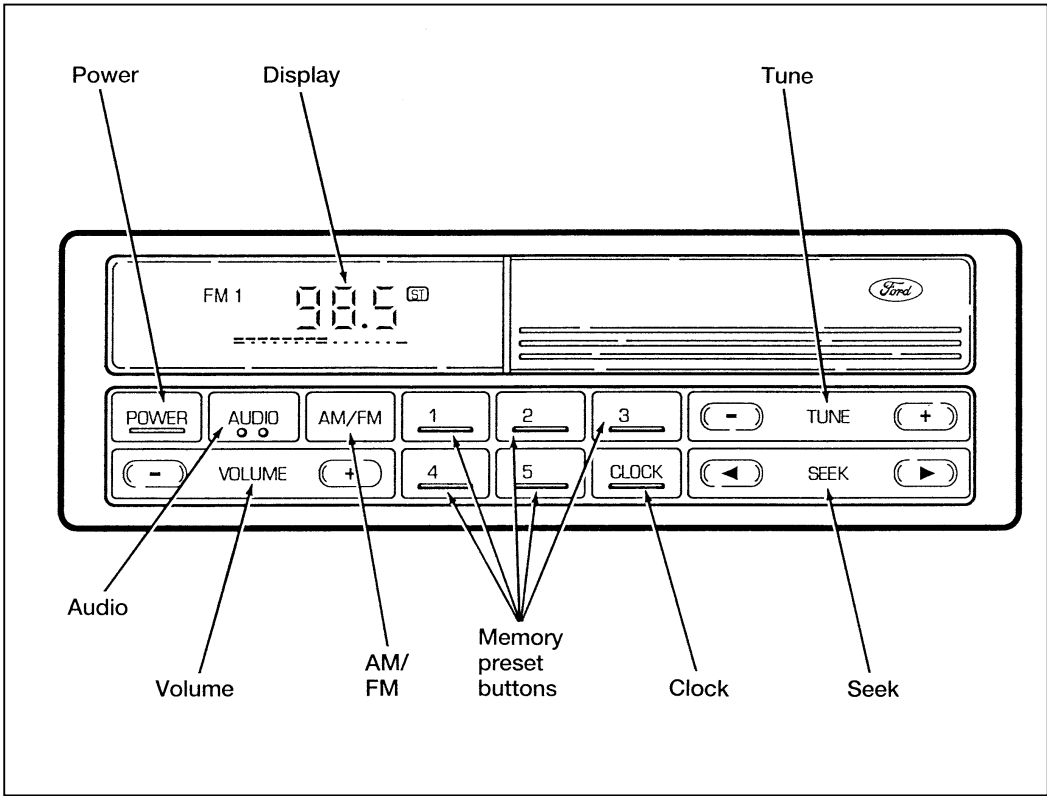
Press the right (▶) side of the “SEEK” rocker switch to seek to the next radio station. Press the left (◀) side of the “SEEK” rocker switch to seek to the previous radio station.

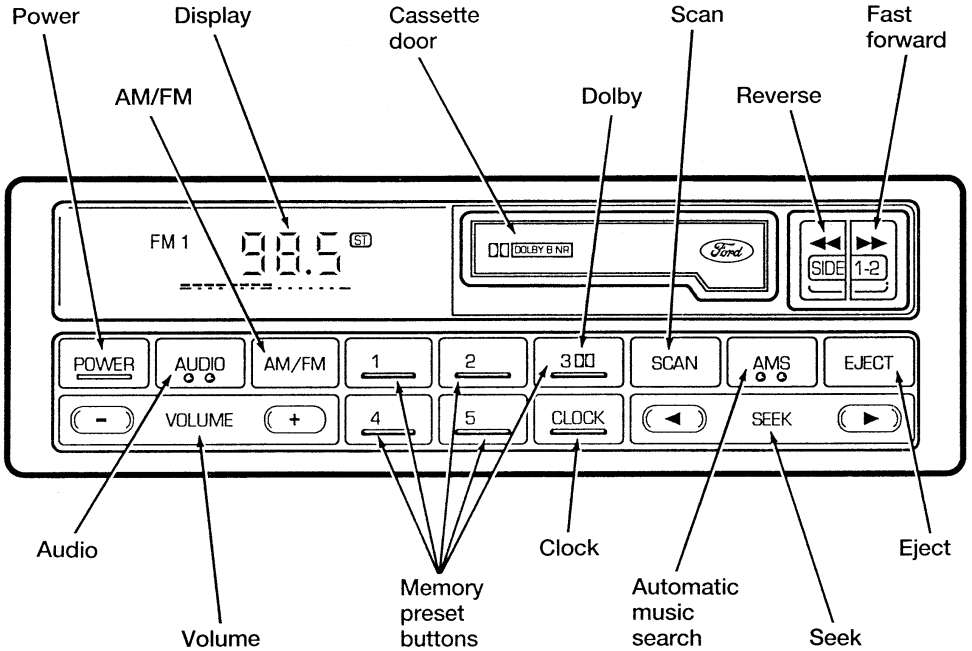
NOTE: When using the rear seat controls with a Premium Audio System, the “SEEK” function on the rear seat controls will also function with cassettes, seeking the next (“SEEK▶”) or previous (“SEEK◀”) selection on the tape.

Using headphones with the rear seat controls

Two 3.5 mm headphone jacks have been provided on the rear seat controls. Plug headphone(s) into the provided jack(s) to operate headphones.

Electronic Stereo Radio





Electronic Stereo Radio with Cassette

Electronic Stereo and Stereo Cassette Radios

Using the Controls on Your New Radio

How to turn the radio on and adjust the volume

Press the “POWER” button to turn the radio on. Press it again to turn it off.

Press the right (+) side of the “VOLUME” button to increase the volume. Press the left (–) side of the button to decrease the volume. Illuminated bars in the display show the relative volume level.

NOTE: If the volume level is set above a certain listening level when the ignition switch is turned off, when the ignition switch is turned back on, the volume will come back to a “nominal” listening level. However, if the radio power is turned off, the volume will remain in the position it was set at when radio power was switched off.

Selecting the AM or FM frequency band

Push the “AM/FM” button to select the desired frequency band. Pushing the button more than once will alternate between AM, FM1 and FM2. These functions are used with the station memory buttons described under *How to tune radio stations*.

How to tune radio stations (Stereo Radio)

There are three ways for you to tune in to a particular station. You can manually locate the station by using the “TUNE” button, “SEEK” the station or select the station by using the memory preset buttons, which you can set to any desired frequency.

Electronic Sound Systems

How to tune radio stations (Stereo Cassette Radio)

There are four ways for you to tune in to a particular station. You can manually locate the station by using Automatic Music Search (“AMS”), “SEEK” the station, “SCAN” to the station or select the station by using the memory buttons, which you can set to any desired frequency.

■ Using the “TUNE” function

Manual tuning adjusts your radio to any allowable broadcast frequency, whether or not a station is present on that frequency. (See *All About Radio Frequencies* in this section.)

■ Using the “AMS” function to manually tune your radio (Stereo Cassette Radio)

You can change the frequency up or down one increment at a time by first pressing the “AMS” button (display shows “TUNE”) then within approximately five seconds pressing and releasing either the right ► or left ◀ side of the “SEEK” button. To change frequencies quickly, press and **hold down** either the right or left side of the “SEEK” button.

Manual tuning adjusts your radio to any allowable broadcast frequency, whether or not a station is present on that frequency. (See *All About Radio Frequencies* in this section.)

■ Using the “SEEK” function

This feature on your radio allows you to automatically select listenable stations up or down the frequency band. Press the right ► side of the “SEEK” button to select the next listenable station up the frequency band. Press the left ◀ side of the button to select the next listenable station down the frequency band. By holding the button down, listenable stations can be passed over to reach the desired station.

■ Using the “SCAN” function (Stereo Cassette Radio)

Press the “SCAN” button to enter the scan mode. The radio will begin scanning up the frequency band, stopping on each listenable station for approximately a five-second sampling. This continues until you press the “SCAN” button a second time. The display flashes “AM” or “FM.”

■ Setting the station MEMORY PRESET buttons

Your radio is equipped with 5 station memory buttons. These buttons can be used to select up to 5 preset AM stations and 10 preset FM stations (5 in FM1 and 5 in FM2).

Follow the easy steps below to set these buttons to the desired frequencies:

1. Select a band, then select a frequency.
2. Press one of the memory preset buttons and hold the button until the sound returns. That station is now held in memory on that button.
3. Follow the two steps above for each station memory preset button you want to set.

NOTE: If the vehicle’s battery is disconnected, the clock and station memory preset buttons will need to be reset.

Adjusting the tone balance and speaker output of your radio

■ Increasing or decreasing bass response

Push the “AUDIO” button repeatedly until the display reads “BASS.” Push the right (+) side of the “VOLUME” button to increase bass (more “lows”), and push the left (–) side to decrease bass (less “lows”).

Electronic Sound Systems

■ Increasing or decreasing treble response

Push the “AUDIO” button repeatedly until the display reads “TREB.” Push the right (+) side of the “VOLUME” button to increase the treble (more “highs”), and push the left (–) side to decrease treble (less “highs”).

Speaker features and operation

■ Adjusting speaker balance

Balance control allows you to adjust the sound distribution between the right and left speakers. Push the “AUDIO” button repeatedly until the display reads “BAL.” Push the right (+) side of the “VOLUME” button to shift the sound to the right speakers, and push the left (–) side to shift the sound to the left speakers.

■ Adjusting speaker fader

Fade control allows you to adjust the sound distribution between the front and rear speakers. Push the “AUDIO” button repeatedly until the display reads “FADE.” Push the right (+) side of the “VOLUME” button to shift the sound to the front speakers, and push the left (–) side to shift the sound to the rear speakers.

NOTE: Illuminated bars in the display show relative levels of bass and treble and positions of speaker balance and fader functions for five seconds after adjustments are made, then revert to volume level set.

Using the Controls of Your Cassette Tape Player

How to insert a tape

Insert a cassette (with the **open edge to the right**) firmly into the tape door opening, making sure the cassette is completely in and “seated.”

How to locate a desired track on the tape

NOTE: The tape track number indicated in the display does not necessarily correspond to the tape track or side number on the cassette label. It is used only to indicate when the tape mechanism reverses tracks.

Using the Automatic Music Search (“AMS”) function with cassette tape player (if your display shows numerals)

Press and hold the “AMS” button (“AMS” will appear in the display). Then, push the left ◀◀ button to rewind to the beginning of the current selection or press the right ▶▶ button to fast forward to the beginning of the next selection.

■ Fast forwarding the tape

Push the right ▶▶ button to fast forward the tape.

■ Rewinding the tape

Push the left ◀◀ button to rewind the tape.

Using the Automatic Music Search (“AMS”) function with cassette tape player (if your display shows arrows)

Press and hold the “AMS” button. Then, push the appropriate fast-wind button, depending upon the direction of the tape travel arrow in the display. For example, if the tape travel arrow is pointing to the left, push the right (▶▶) button to rewind to the beginning of the current selection. If the tape travel arrow is pointing to the right, press the right (▶▶) button to fast forward to the beginning of the next selection.

Electronic Sound Systems

Fast forwarding the tape (if your display shows arrows)

To fast forward the tape, press the fast-wind button with the arrows pointing in the same direction as indicated in the display. For example, if the tape travel arrow in the display is pointing to the left, press the left ◀◀ button to fast forward the tape. To return to the play mode, press the opposite fast-wind button momentarily, until fast forward stops.

■ Rewinding the tape (if your display shows arrows)

To rewind the tape, press the fast-wind button with the arrows pointing in the opposite direction as indicated in the display. For example, if the tape travel arrow in the display is pointing to the left, press the right ▶▶ button to rewind the tape. To return to the play mode, press the opposite fast-wind button momentarily, until rewind stops.

■ How to change the side of the tape being played

The alternate track (other side) of the tape can be selected at any time by pushing both fast-wind buttons ◀◀ and ▶▶ at the same time.

How to eject the tape

To stop the tape and eject the cassette, press the eject (▲) button. The radio will resume playing.

Using the Dolby® B noise reduction feature

NOTE: Noise reduction system manufactured under license from Dolby Labs Licensing Corporation. “Dolby” and double-D symbol are trademarks of Dolby Laboratories Licensing Corporation.

Push station memory button 3 to activate Dolby® B Noise Reduction.

Tips on Caring for the Cassette Player and Tapes

In order to keep your cassette tape player performing the way it was meant to, read and follow these simple precautions:

- Using a Ford or equivalent cassette cleaning cartridge to clean the tape player head after 10-12 hours of play will help maintain the best playback sound and proper tape operation.
- Only cassettes that are 90 minutes long or less should be used. Tapes longer than 90 minutes are thinner and subject to breakage or may jam the tape player mechanism.
- Protect cassettes from exposure to direct sunlight, high humidity and extreme heat or cold. If they are exposed to extreme conditions, allow them to reach a moderate temperature before playing.
- If a tape is loose inside the cassette, tighten it before playing by putting your finger or a pencil into one of the holes and turning the hub until the tape is tight.
- Loose labels on cassette tapes can become lodged in the mechanism. Remove any loose label material before inserting a cassette.
- Do not leave a tape in the cassette tape player when not in use. High heat in the vehicle can cause the cassette to warp.

Clock Operation

How to view the clock mode

Press the "CLOCK" button to alternate the frequency and time in the display. In the clock mode, pressing any radio function will automatically display the radio frequency for approximately ten seconds before changing back to the clock mode.

Electronic Sound Systems

How to set the clock

1. Turn the radio on.
2. Press and hold in the “CLOCK” button. Press the “SEEK” button left (◀) to advance the hours and right (▶) to advance the minutes.

NOTE: The clock displays 12-hour time with no AM/PM indications.

Common Radio Reception Conditions

Several conditions prevent FM reception from being completely clear and noise-free, such as the following:

1. Distance/Strength

The strength of the FM signal is directly related to the distance the signal must travel. The listenable range of an average FM signal is approximately 25 miles (40 kilometers). Beyond this distance, the radio is operating in a fringe area and the signal becomes weaker.

2. Terrain

The terrain (hilly, mountainous, tall buildings) of the area over which the signal travels may prevent the FM signal from being noise-free.

If there is a building or large structure between the antenna and station, some of the signal “bends” around the building, but certain spots receive almost no signal. Moving out of the “shadow” of the structure will allow the station to return to normal.

When the radio waves are reflected off objects or structures, the reflected signal cancels the normal signal, causing the antenna to pick up noise and distortion. Cancellation effects are most prominent in metropolitan areas, but also can become quite severe in hilly terrain and depressed roadways.

To minimize these conditions, a stereo/mono blend circuit has been incorporated into this system. This feature automatically switches a weak stereo signal to a clearer monaural signal, which improves the quality of reception.

Several sources of static are normal conditions on AM frequencies. These can be caused by power lines, electric fences, traffic lights and thunderstorms.

Another reception phenomenon is **Strong Signal Capture and Overload**. This can occur when listening to a weak station and when passing another broadcast tower. The close station may capture the more distant station, although the displayed frequency does not change. While passing the tower, the station may switch back and forth a few times before returning to the original station.

When several broadcast towers are present (common in metropolitan areas), several stations may overload the receiver, resulting in considerable station changing, mixing and distortion.

Automatic gain control circuitry for both AM and FM bands has been incorporated into this system to reduce strong signal capture and overload.

Electronic Sound Systems

All About Radio Frequencies

The Federal Communications Commission (FCC) and the Canadian Radio Telecommunications Commission (CRTC) establish the frequencies that AM and FM radio stations may use for their broadcasts. The allowable frequencies are, AM: 530, 540...1600, 1610 kHz in 10 kHz steps; FM: 87.9, 88.1...107.7, 107.9 MHz in 0.2 MHz steps.

Not all frequencies will be assigned to a given area. This radio will tune to each of these frequencies using manual tune and no fine tuning is necessary as radio stations may not use other frequencies.

Some FM radio stations advertise a “rounded-off” frequency which is not the frequency they actually broadcast on. For example, a radio station that is assigned a frequency of 98.7 MHz may call itself “Radio 99” even though 99.0 MHz is not an allowable FM broadcast frequency.

Important Warranty and Service Information

■ Warranty

Your sound system is warranted for three years/36,000 miles (60,000 km). Consult your vehicle warranty booklet for further information.

■ Service

At Ford, we stand behind our audio systems with a comprehensive service and repair program. If anything should go wrong with your Ford audio system, return to your dealer for service. There is a nationwide network of qualified Ford authorized repair centers to assist you.

Controls and Features

The instrument panel (dashboard) on your vehicle is divided into several different sections. Illustrations are provided for the major parts of the instrument panel that are explained in this chapter. Some items shown may not be on all vehicles.

The controls for the climate control systems, headlamps, dim switch, rear window defogger, fog lamps, power rear quarter windows, Traction Control, clock/radio and the rear window washer and wiper are all on the instrument panel.

Your vehicle is designed with innovative and state-of-the-art features. Understanding how these features work can make driving your vehicle more comfortable.

NOTE: Any cleaner or polish that increases the gloss (shine) of the upper part of the instrument panel should be avoided. The dull finish in this area is to help protect the driver from undesirable windshield reflection.

Climate Control Systems

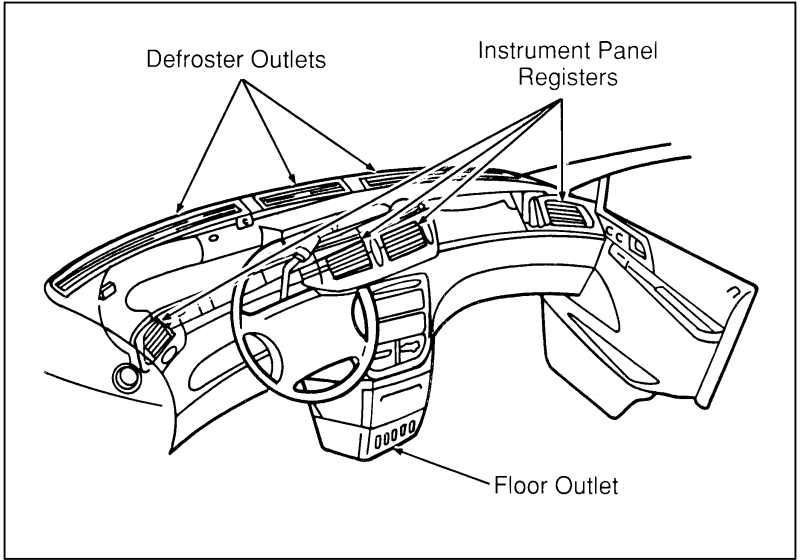
Your vehicle is equipped with a control assembly designed to handle either a combination A/C-Heater System or a Heater-Only System. Main Heater Systems are standard equipment. Main A/C-Heater Systems, and Main and Rear A/C-Heater Systems are optional.

If your vehicle has a rear system, the front control will be equipped with a rear fan control knob plus another fan speed control knob which is installed in the rear.

Instrument Panel Registers

There are four registers in the instrument panel. Each of these registers contain a louver assembly which can be manually adjusted to direct airflow UP, DOWN, LEFT and RIGHT. Each register in the instrument panel also has a thumbwheel that allows you to open or close each register. The defroster outlets are located on the top of the instrument panel while the floor

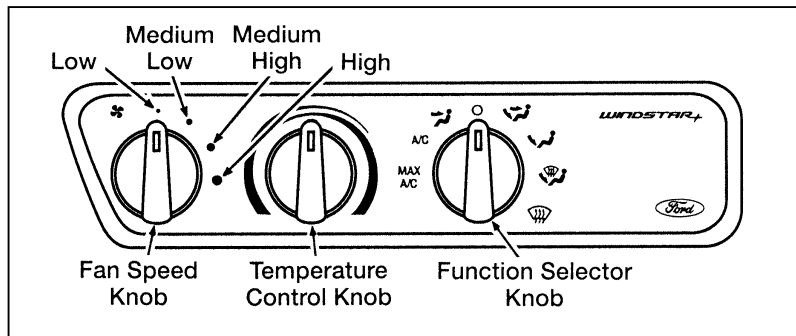
outlet is located at the bottom of the center console. An illustration of the register, defroster, and floor outlet locations follows.



The climate control air outlet locations

Controls and Features

Air Conditioning (A/C) Controls — Main (Front) System Only (Manual Air Conditioning)



The climate controls — main A/C


The Fan Speed Knob controls the volume of air circulated in the vehicle. There are four fan settings: Low, Medium Low, Medium High, and High.

NOTE: The fan will not operate when the Function Selector Knob is in the ○ (OFF) position.


The Temperature Control Knob may be adjusted from COOL air in the blue range to WARM air in the red range.

NOTE: Air temperature can be adjusted for the main climate control system only. Air temperature from the auxiliary heating/air conditioning system (if equipped) cannot be adjusted. Rear passengers will receive either FULL COOL or FULL WARM air based on the setting of the Rear Control and Function Selector Knob.

The Function Selector Knob controls air circulation and A/C Compressor Operation.


The air conditioning settings include MAX A/C, A/C and  (Panel/Floor). However, heating capabilities are also provided in these modes. Adjust the Temperature Control Knob as necessary to receive cool (air-conditioned) or warm (heated) air when in these modes.

NOTE: The A/C compressor will only operate when outside air temperatures are above approximately 45°F (7°C).


The climate control system provides fresh outside air in all function control settings except for MAX A/C and  (OFF). Only recirculated interior air is available in MAX A/C.

In **MAX A/C**, air from inside the passenger compartment is recirculated continuously and the A/C compressor is engaged. In this position, the system provides maximum cooling, maximum dehumidifying, and greater fuel efficiency. It also has a greater noise level because the sound of the air from the blower motor is not muffled by a closed damper door as it would be in all other functional settings.

In **A/C**, outside air is drawn into the system and the A/C compressor is engaged. The cooling process and the distribution of cooled air is the same as that provided with MAX A/C. Because outside air is drawn into the system, it will not have the advantage of cooling already cooled air. It will have a lower noise level because a closed damper door muffles the sound of the air from the blower motor.


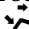
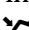


In  (**PANEL**), air is drawn from the outside and directed into the passenger compartment through the instrument panel registers. The temperature of the air can be varied by adjusting the Temperature Control Knob. This mode is normally used as a vent setting. The A/C compressor does not operate in this mode, only heating capabilities are provided.


Controls and Features


In  (OFF), air supply is shut off from all outlets and all blower motor operation is stopped. Use this setting when driving through an area where outside air is unpleasant or dusty.


WARNING



Operating with the Function Selector Control in off or in Max A/C for extended periods of time in cold weather can result in fog buildup on interior glass surfaces.


This fogging can make it difficult to see the road for safe driving. Operating in the A/C,  (PANEL),  (PANEL/FLOOR),  (FLOOR),  (DEFROST/FLOOR) and  (DEFROST) positions will help prevent fogging. Adjust the temperature as necessary for comfort.

In  (PANEL/FLOOR), approximately equal amounts of airflow are directed to the instrument panel registers and the floor outlets. This setting will engage the A/C compressor, thus providing you with an additional A/C mode.

In  (FLOOR), most of the system's air supply is directed to the floor outlets with a small amount going to the windshield and side window demisters.

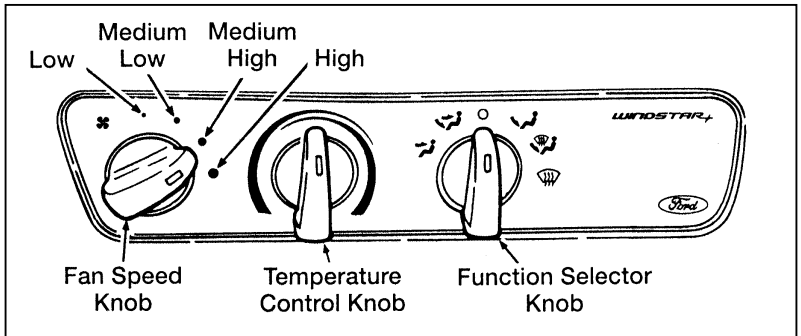
In  (DEFROST/FLOOR), approximately equal amounts of air are directed to the windshield and floor outlets with a small amount to the side windows.

NOTE: If outside air temperatures are above approximately 45°F (7°C), the  (DEFROST/FLOOR) and  (DEFROST) positions will also automatically engage the air-conditioning compressor in order to reduce the humidity in the air and aid in clearing the inside glass. Adjust the Temperature Control Knob as necessary for comfort.

In  (DEFROST), most of the air is directed through the defrosters and onto the windshield. A small amount is diverted to the floor.

Heater Controls (Heater-Only Vehicles)

The fan speed, temperature, and function controls are essentially the same as the A/C controls described previously with the exception that the control assembly has no function settings for MAX A/C and A/C and no A/C compressor operation is provided in any of the function settings. An illustration of the control for a heater-only system follows.




Climate control panel — Heater-Only System

Controls and Features


Turning On the Heat

Heat will not be available until the engine has been running for sufficient time as indicated by the engine coolant temperature gauge.


To heat the inside of your vehicle:

1. Turn the Function Selector Knob to  (**FLOOR**). Outside air is drawn in and directed into the passenger compartment through the floor outlets. Small quantities of air are also directed to the defrost and side window demist outlets.
2. Turn the Temperature Control Knob toward the WARM (red) area.
3. Turn the Fan Speed Knob to the speed of your choice. When your vehicle warms up, you may want to set the Fan Speed Knob to a lower speed, or adjust the Temperature Control Knob to a lower setting to maintain a comfortable temperature.

To defrost the windshield and side windows:

- Turn the Function Selector Knob to  (**DEFROST**), turn the Temperature Control Knob to the WARM (red) area and turn the Fan Speed Knob to the position of your choice.

To heat and defrost at the same time:

- Turn the Function Selector Knob to  (**DEFROST/FLOOR**), turn the Temperature Control Knob and the Fan Speed Knob to provide the temperature and fan speed you prefer.






Do not place objects under the front seats unless your vehicle is equipped with an under seat storage tray. Improperly stored objects will interfere with the flow of air to the back seats.

Remove any snow, ice, or leaves from the area below the windshield on the outside of your vehicle. They could block the air intake.

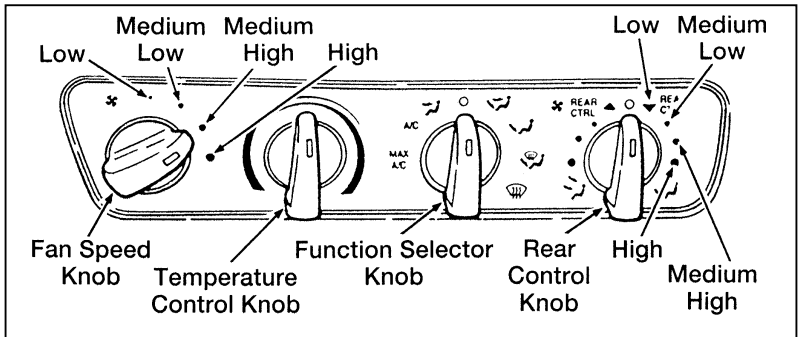
Heating and Air Conditioning System

Turning On the Heat

You can heat the inside of your vehicle and defrost the windshield using the Function Selector Knob located in the control assembly in the instrument panel.



The seven function selector modes are: MAX A/C, AC,  (PANEL),  (PANEL/FLOOR),  (FLOOR),  (DEFROST/FLOOR), and  (DEFROST). If your vehicle is equipped with a rear seat climate control system, the instrument panel will also include a rear seat climate control knob. Front passengers determine the temperature and location of the airflow for the rear passengers by the settings on the Function Selector and Rear Control Knob in the front climate control panel. To turn on the rear passenger compartment control system, select REAR CTRL, Medium Low, Medium High, or High on either the heat (red dots) or cool (blue dots) side. Front passengers must be in MAX A/C, A/C, PANEL/FLOOR, DEFROST/FLOOR or DEFROST for cooled recirculated air in the rear, otherwise, recirculated non-cooled air will be available in the rear. With the knob set to REAR CTRL, rear seat passengers will have control of rear fan speed on the rear seat climate control panel. Positions Medium Low, Medium High, or High will control rear fan speed from the front control panel.

Controls and Features



The climate controls — main and auxiliary system A/C — Heater System — if equipped

The auxiliary system is controlled exclusively by the 9-position switch. If the control is turned to the left, cool air will be delivered at the beltline and overhead. If the control is turned to the right, warm air will be delivered to the floor area. The further left or right from the OFF position the control is turned, the higher the fan speed.

The standard heating system and the heating portion of the heating and air conditioning system are essentially identical. There is one exception, however; the air conditioning compressor will automatically engage when the  (DEFROST/FLOOR) or  (DEFROST) position is selected to aid in defogging and defrosting the inside glass when the outside temperature is above approximately 45°F (7°C). Refer to the heating system operating instructions covered previously for a more detailed explanation of heating system operation.

Turning on the Air Conditioner

To cool your vehicle quickly in warm weather:


1. Turn the Function Selector Knob to MAX A/C.
2. Turn the Temperature Control Knob to COOL.
3. Turn the Fan Speed Knob to the position of your choice.
4. If your vehicle is equipped with the rear passenger compartment air conditioning unit, it will be on when the front system is on MAX A/C, A/C or PANEL/FLOOR and the rear climate control knob is set to REAR CTRL, and any fan speed on the blue side. Refer to the previous section for an explanation of the heating system.
5. Adjust your instrument panel registers.
6. If the inside of your vehicle is very warm, you may want to drive for a few minutes with the windows down and the air conditioner on. This forces most of the hot, stale air out of the vehicle and allows the air conditioner to cool the interior more quickly.

The air conditioner may be used to cool the outside air being drawn into your vehicle, but using recirculated air is more economical and cools your vehicle more quickly.

Cooling your vehicle with outside air

Cooling your vehicle with air conditioned outside air is quieter but less economical than using recirculated air. It also has less cooling capacity.

To cool your vehicle with outside air:


1. Turn the Function Selector Knob to the A/C or  (PANEL/FLOOR).
2. Turn the Temperature Control Knob to COOL.

Controls and Features

3. Turn the Fan Speed Knob to the position of your choice.
4. Make sure that the registers in the instrument panel are open and adjusted to the positions of your choice.


During periods of high humidity, vapor may be emitted from the air outlets when using the A/C with outside air. Correct this by switching the Function Control Knob to MAX A/C.

Improving fuel economy

Whenever you turn on the air conditioning, your vehicle uses more fuel because the air conditioning compressor is running. To get better fuel economy while cooling your vehicle, do not use the air conditioner on mild days. Instead, set the function control knob to  (PANEL) and turn the temperature control knob to COOL.

Operating tips

To vary the temperature inside your vehicle, move the Temperature Control Knob toward WARM (red) for warmer temperatures and toward COOL (blue) for cooler temperatures. The Temperature Control Knob setting determines the temperature of the air being discharged from the system in all operating modes (heating or A/C).

When stopped in traffic for long periods of time in hot weather, place the automatic transaxle gearshift selector lever in Park (P) or in Neutral (N). This aids in engine cooling and air conditioner efficiency. (If the engine overheats, turn the Function Selector Knob to  (PANEL) and turn the Temperature Control Knob to WARM.)

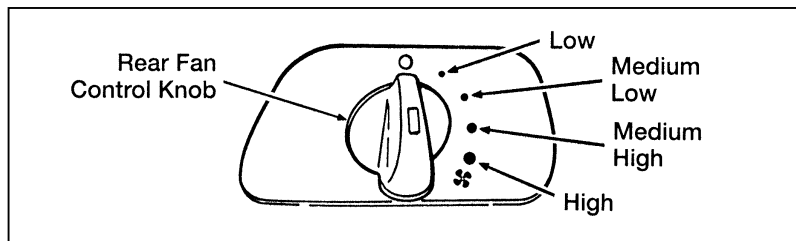
When your vehicle's engine is operated at full throttle, the air conditioner compressor will automatically be turned off to allow maximum engine power. This may occur during passing or when climbing steep grades. The compressor will return to normal operation within a few seconds after full throttle is no longer needed.

NOTE: The compressor will not operate when the outside temperature is less than about 45°F (7°C).

Rear Climate Control System (If equipped)

If your vehicle is equipped with a rear climate control system, the rear seat occupants can select their own personal fan speed settings.

The rear seat climate control system is controlled from the main climate control system on the instrument panel. If the rear passenger compartment climate control knob in the front climate control panel is set in OFF, the fan in the rear seat climate control system will also be off. If the knob is set in any of the fan speed positions (Medium Low, Medium High, or High), air will be discharged from the rear seat vents at the corresponding speed. However, when the knob is set at REAR CTRL, rear seat passengers can control their own fan speed.



Rear fan control knob


The rear passenger compartment climate control panel has a Fan Speed Knob which controls the speed (Low, Medium Low, Medium High, or High) at which air is discharged from the registers whenever the Rear Control Knob on the front panel climate control panel is in REAR CTRL.

Front passengers determine the temperature and location of the airflow for rear passengers by setting the Rear Control in the front climate control panel in either a heat or cool mode.

Controls and Features

If an A/C mode is chosen on the Function Selector Knob and the Rear Control Knob is in a cool mode (blue dots), rear passengers will receive FULL COOL (air-conditioned) air out of the side and upper rear registers. If a non-A/C mode is chosen on the Function Selector Knob and the Rear Control Knob is in a cool mode (blue dots), rear passengers will receive recirculated air out of the side and upper rear registers. If the Rear Control Knob is in a heat mode (red dots), rear passengers will receive FULL WARM air out of the floor registers.

Rear passengers do not have the ability to adjust the temperature or select the location of the airflow from the auxiliary climate control system. Rear passengers can adjust the Rear Fan Speed Control Knob and air discharge (adjust registers) for comfort.

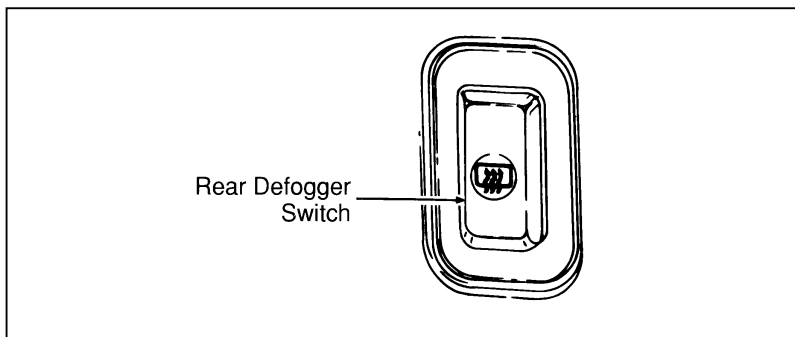
NOTE: For maximum heating and cooling for front seat passengers, set the rear fan switch to the  (OFF) position.

Liftgate Window Features

Rear Window Defogger (If equipped)

The defogger for the rear liftgate window clears frost, fog, or thin ice from both the inside and outside of the rear window. The defogger operates with the ignition in the ON position.

The control switch is located on the instrument panel to the right of the steering column and below the climate control system.



The rear defogger switch

To defrost the rear window:

1. Clear any snow or ice from the rear window.
2. Get in your vehicle and start the engine.
3. Press the rear defogger switch.

The defogger turns off automatically after 10 minutes. If the window is not clear, turn the defogger on again. It will automatically shut off anytime the engine is turned off or if the switch is depressed a second time.

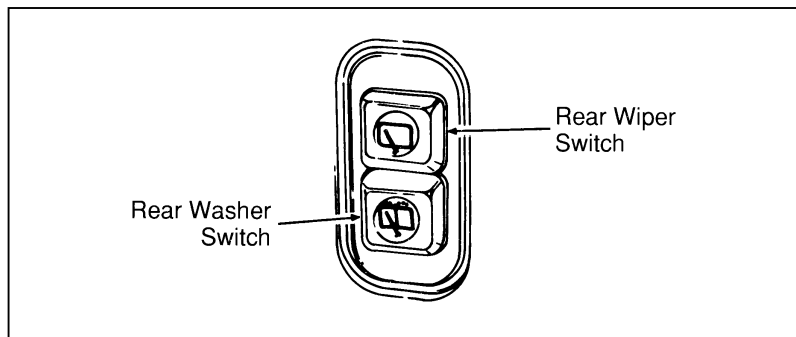
NOTE: Operating the rear defogger will also turn on the heated side view mirrors (if equipped).

Never use sharp instruments or abrasive window cleaners to clean the inside of your rear window. If you do, you may damage the wires that are bonded to the inside of the rear window, and cause damage to the rear window defogger.

Controls and Features

Rear Wiper and Washer (If equipped)

The controls for the rear wiper and washer can be found on the instrument panel to the right of the instrument cluster below the climate control system. The rear wiper and washer controls operate with the ignition in the ACC or ON positions.



The rear wiper switches

To operate the rear wiper, press the rear wiper switch. If the front wipers are off, on intermittent or low speed operation, the rear wiper will have an intermittent operation. If the front wipers are in high speed operation, the rear wiper will continuously operate.

The rear wiper will also perform one wipe of the rear window when the front wipers are in intermittent or low speed operation and the transaxle is shifted into R (Reverse). If the front wipers are in high speed operation and the transaxle is shifted into R (Reverse), the rear wiper will continuously operate.

Do not activate the washer for longer than fifteen seconds continuously. This could damage the washer pump system.

Traction Control (If equipped)

Traction Control can help improve your traction on slippery surfaces, but always operate your vehicle within reasonable limits. Abrupt changes in acceleration, deceleration, turning, or combinations of these maneuvers can cause your vehicle to behave differently than anticipated, especially when road conditions vary.

To turn Traction Control off, press the button located in the center of the instrument panel.

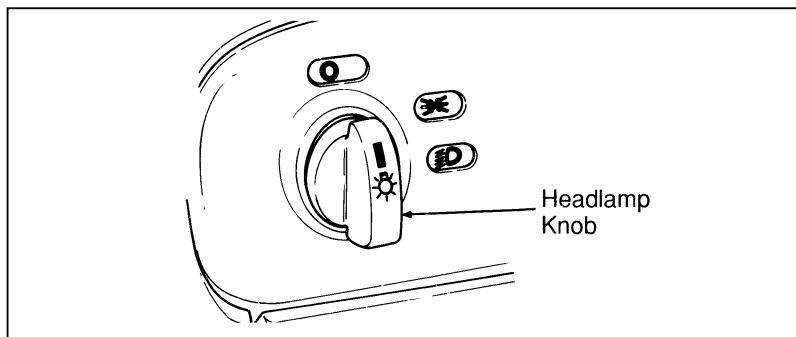
Traction Control can be turned back on by pressing the button again or by restarting the engine.

Exterior Lamps

To turn on the headlamps, parking lamps, marker lamps, tail lamps, license plate lamps and instrument panel lamps, use the headlamp knob, to the left of the instrument cluster.

1. Turn the headlamp knob to the first position to turn on the parking lamps, tail lamps, license plate lamps, marker lamps and instrument panel lamps.
2. Turn the headlamp knob to the second position to turn on the headlamps in addition to the parking lamps, tail lamps, license plate lamps, marker lamps and instrument panel lamps.

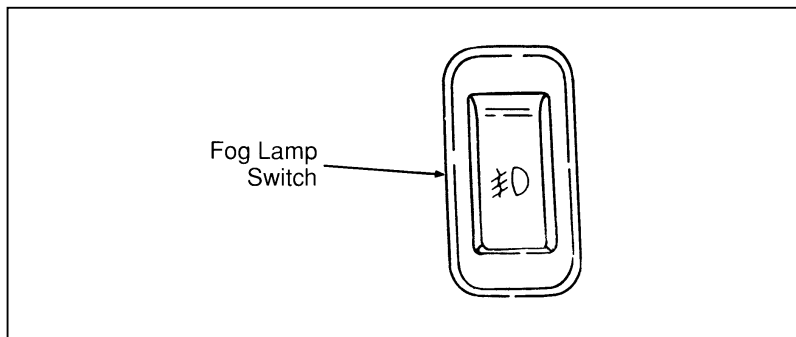
Controls and Features



The headlamp controls

Fog Lamps (If equipped)

The fog lamp switch is located on the center of the instrument panel.



Fog lamp switch

The fog lamps act as a supplement to the low beam headlamps under limited visibility conditions such as rain, snow, dust or fog and operate only when the low beam headlamps are on.

To maximize fog lamp bulb life, it is recommended that the fog lamp switch be turned off after each use prior to turning off the headlamps.

- To turn the fog lamps on, push the switch. An indicator light will glow when the lamps are on.
- To turn off, push the switch again.

“Headlamps On” Alert Chime

The “headlamps on” alert chime acts as an indicator that you have left the headlamps or parking lights on. This continuous chime will activate when the following conditions are present:

- The headlamp and/or parking lamps are on
- There is no key in the ignition
- The driver’s door is ajar (open)

Daytime Running Light (DRL) System (Canadian vehicles only)

The Daytime Running Light (DRL) system is designed to turn the high beam headlamps on, with a reduced light output and without illuminating the high beam indicator lamp in the instrument panel. The DRL system operates when all of the following conditions are met:

- the vehicle is “running”
- the vehicle has a fully released parking brake
- the headlamp system is in the OFF position

Controls and Features

NOTE: You may notice that the lights flicker when the engine is turned on or off. This is a normal condition.

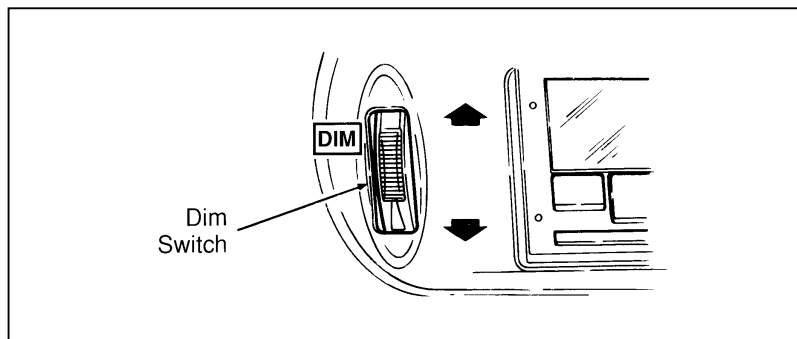
WARNING

The Daytime Running Light (DRL) system will not illuminate the tail lamps and parking lamps. Turn on your headlamps at dusk. Failure to do so may result in a collision.

Interior Lamps

Lighting Up the Instrument Panel

The instrument panel lights can be turned on by turning the headlamp control knob to either the first or second position. You can brighten or dim the instrument panel lights by rotating the dim switch up or down to the desired brightness. The dim switch is located to the right of the steering column next to the radio.



The dim switch

Clock Controls on Electronic Radios

The electronic radios have a built-in clock. For complete operating instructions, refer to the *Electronic Sound Systems* chapter of this Owner Guide.

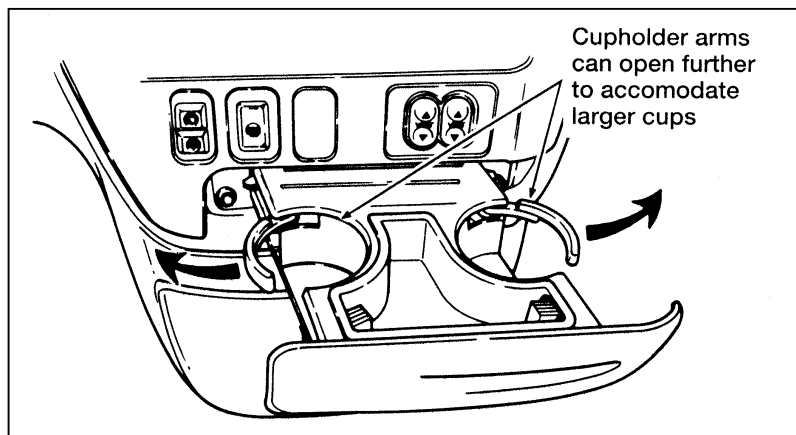
Radio Antenna

The fixed radio antenna is mounted on the front fender on the passenger's side of the vehicle.

Cupholders

The front seat cupholders are located with the ashtray. To access the cupholders, pull open the ashtray drawer which is located to the right of the steering column, above the compact disc and cassette storage console.

As you close the ashtray drawer, the cupholders will automatically fold back into place.



Your vehicle also has rear seat cupholders built into the side panels.

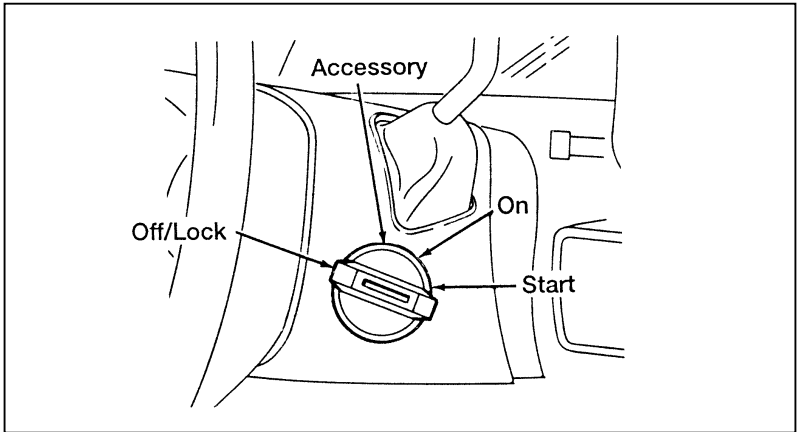
Controls and Features

NOTE: Do not place heavy objects in the cupholders.

The controls on the steering column and wheel are designed to give you easy access to the controls while you are driving.

Ignition

Understanding the Positions of the Ignition



The ignition positions

ACCESSORY allows you to operate some of your vehicle's electrical accessories while the engine is not running. For example, you can use **ACCESSORY** to turn on the radio or windshield wipers without starting the engine.

LOCK locks the steering wheel and the gearshift lever.

OFF allows you to shut off the engine and all accessories without locking the steering wheel, or the gearshift lever.

ON allows you to test your vehicle's warning lights to make sure they work before you start the engine. The key returns to the **ON** position once the engine is started and remains in this position while the engine runs.

START cranks the engine. Release the key once the engine starts so that you don't damage the starter. The key should return to the ON position when you release it. The START position also allows you to test the brake warning light.

Removing the Key From the Ignition

LOCK is the only position that allows you to remove the key from the ignition. The LOCK feature helps to protect your vehicle from theft, because it also locks the steering wheel and the gearshift lever when the key is removed.

If your key is stuck in the LOCK position, and you are unable to turn it, move your steering wheel left or right until the key turns freely.

To remove your key from the ignition:

1. Maintain firm pressure on the service brake and set parking brake fully. (This will avoid "binding" or "loading" the powertrain, which may result in an objectionable noise during park disengagement.)
2. Put the gearshift lever in P (Park).
3. Turn the ignition key to LOCK.
4. Remove the key.

 WARNING
When you leave your vehicle, set the parking brake fully, place the gearshift lever in P (Park), and shut off the engine. Never park your vehicle in N (Neutral). If you do not take these precautions, your vehicle may move suddenly and injure someone.

Controls and Features

WARNING

Do not leave children, unreliable adults, or pets unattended in your vehicle.

Turn Signal Lever

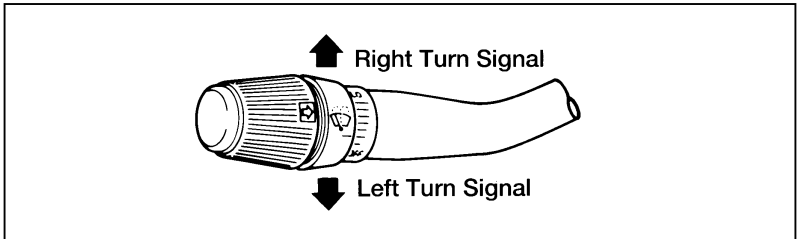
You can use the turn signal lever on the left side of the steering column to:

- operate the turn signals.
- turn the headlamps to high beam.
- flash the headlamps.
- turn the windshield wipers and washer on/off.

Turn Signals

To turn on the right turn signal, push the turn signal lever up. The right-side arrow on the instrument panel will flash.

To turn on the left turn signal, pull the turn signal lever down. The left-side arrow on the instrument panel will flash.



The turn signal lever

Usually, the turn signals turn off automatically after you turn your vehicle. If the turn signal continues to flash after you have made the turn, pull the lever back to the neutral position.

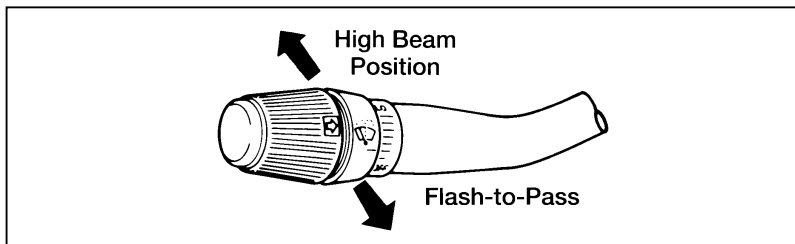
To indicate a lane change to the right, push the turn signal lever up slightly (without latching) and hold it in position. To indicate a lane change to the left, pull the turn signal lever down slightly (without latching) and hold it in position. The lever will return to the OFF position when you release it.

If the turn indicator light in the instrument panel does not illuminate or remains on (does not flash) when you signal a turn, the turn signaling system is malfunctioning. Have this condition corrected as soon as possible, and use the accepted hand signals until the turn signal system is repaired.

High Beams

To turn on the high beams, turn the headlamps on and push the turn signal lever away from you until it latches. When the high beams are on, the high beam indicator light on the instrument panel is illuminated.

To return to the low beam setting, pull the turn signal lever toward you until it latches back into the neutral position. The high beam indicator light turns off.



High beam and flash-to-pass operation

Controls and Features

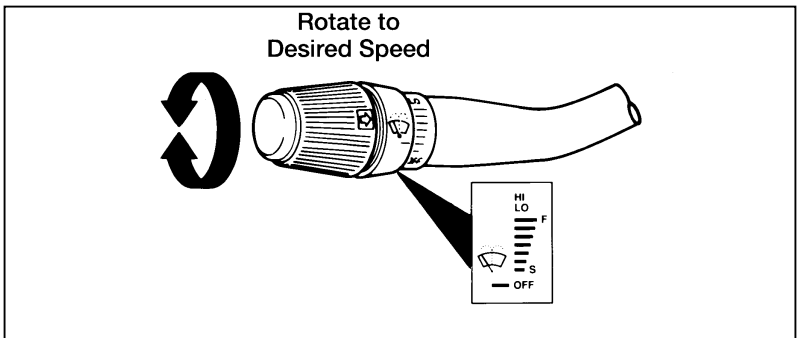
Flashing the Lights

To flash the headlamps, pull the turn signal lever toward you for a moment and then release it. The high beam headlamps will flash whether the headlamps are on or off.

Windshield Wipers and Washer

Variable Interval Wipers

Your vehicle has wipers that operate at varying intervals. For example, you can set the interval so they wipe less often in light rain or more often in heavier rain. The wiper delays range from about 1.5 to 20 seconds.



Variable interval wiper control

To set the interval wipers, rotate the knob at the end of the turn signal lever to the most effective interval. The farther the knob is from the OFF position, the more frequently the wipers operate.

Speed Dependent Wipers

This feature compensates for the extra moisture that accumulates on your windshield at higher speeds during rain. At higher speeds, the Speed Dependent feature shortens the delay between wipes when you use the variable interval wipers. Delay will automatically adjust at speeds between 10 and 65 mph (16 and 105 km/h).

The Speed Dependent feature comes disabled from the factory, but can be activated at any time by using the following procedure.

1. Make sure the two front doors are securely closed.
2. Insert the key into the ignition and turn first to the ON position (the gauges on the instrument panel will **not** illuminate) and then back to the OFF position. Remove the key and within 30 seconds, perform the following sequence:
3. Press and hold the washer button on the end of the turn signal lever.
4. Within two seconds, put the key back in the ignition and turn to the ON position.
5. Hold the washer button down until a long (two second) tone is heard. Release the button while the tone is active.
6. After the long tone, a confirmation sequence will be heard. One beep indicates the feature is inactive. Two beeps indicates the feature is active.

Repeat this procedure any time you want to cancel or reactivate the Speed Dependent feature.

Controls and Features

Windshield Washer

To clean the windshield, push in the washer button on the end of the turn signal lever. For a constant spray, push and hold the button. If the windshield wipers are off, one momentary push results in one wipe and a longer push in three wipes and activation of washer fluid. If the windshield wipers are in interval mode a quick tap results in two wipe cycles and a longer tap in three wipes and washer fluid activation.

Do not try to clean the windshield when the washer fluid container is empty and never activate the washers for more than fifteen seconds continuously. This could damage the washer pump system.

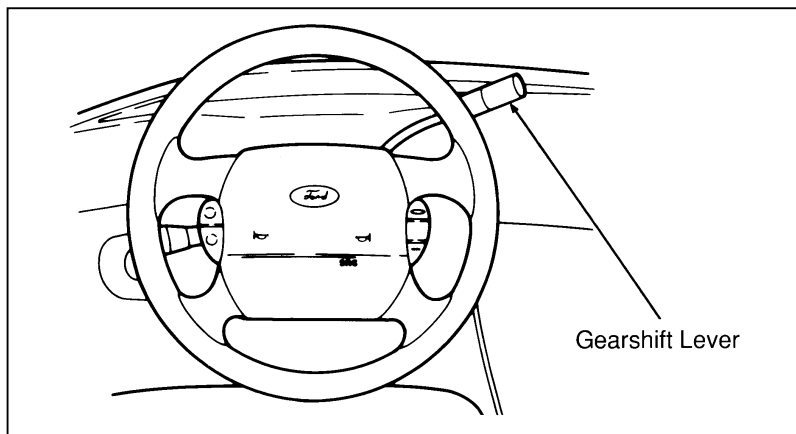
 WARNING
--

<p>Always warm up the windshield with the defroster before you use the washer fluid. In freezing weather, the washer solution may freeze on the windshield and obscure your vision.</p>
--

For information about refilling the washer fluid or replacing your windshield wiper blades, see *Windshield washer fluid and Wipers* in the Index.

Gearshift Lever

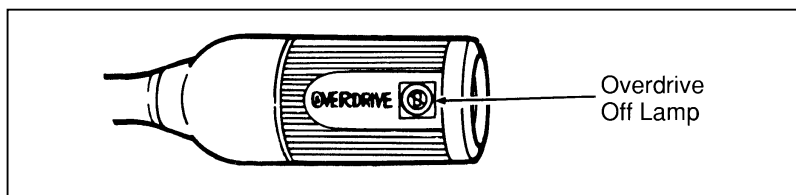
The gearshift lever on your vehicle is mounted on the steering column. On the end of the gearshift lever is the Overdrive On/Off button and the OVERDRIVE OFF lamp. For additional information about the gearshift lever and the Overdrive On/Off button, see the *Driving* chapter.



The gearshift lever

OVERDRIVE OFF Lamp

This lamp indicates the operating range of the transaxle. This lamp will illuminate when the Overdrive On/Off button is depressed.



OVERDRIVE OFF lamp location

With the transaxle range selector in the Overdrive **D** range, the OVERDRIVE OFF lamp will not be illuminated. The transaxle will be allowed to upshift and downshift from 1st through 4th gears. When the Overdrive on/off button is depressed, the OVERDRIVE OFF lamp will illuminate. The transaxle will now

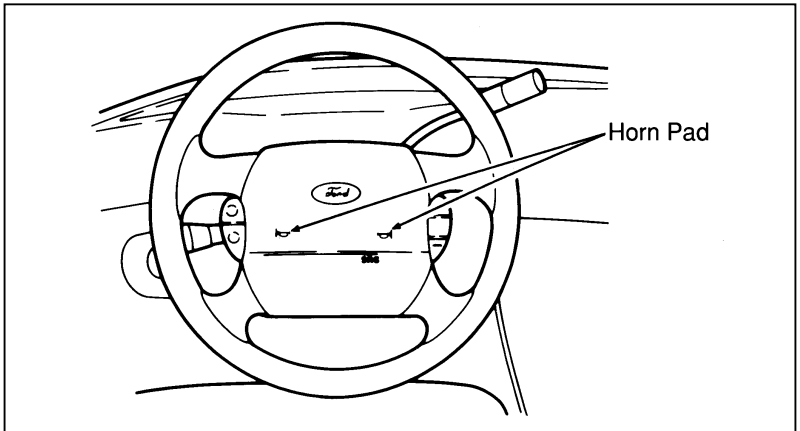
Controls and Features

only upshift and downshift from 1st through 3rd gears. The vehicle will always return to the overdrive operation mode when the ignition is turned off and back on.

If the lamp does not come on when the Overdrive ON/OFF button is depressed or if the lamp flashes when you are driving, have your vehicle serviced at the first opportunity. If this condition persists, damage could occur to the transaxle.

Horn

To sound the horn, press the center of the steering wheel. Check the horn regularly to make sure it operates properly.



The horn pad

Hazard Flasher Switch

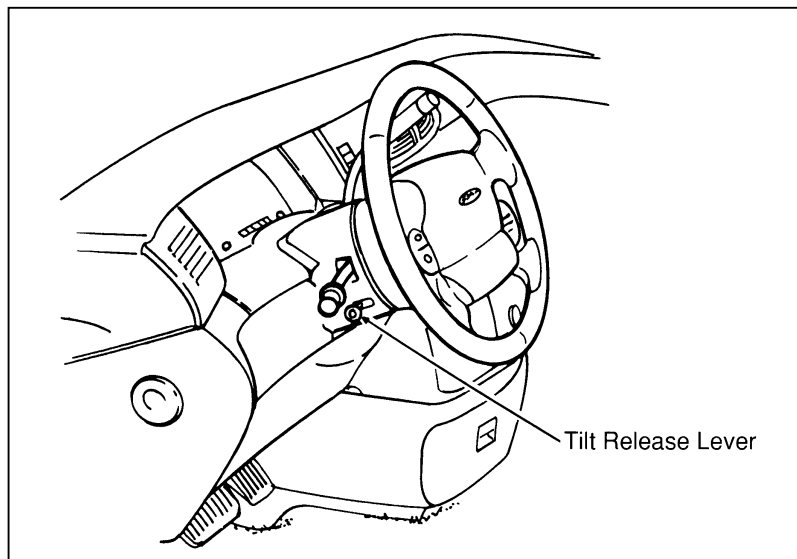
The hazard flasher switch is located on top of the steering column.

To use the hazard flasher:

1. Push the HAZARD switch; you will see the turn signal arrows flash.
2. To stop the hazard flashers, push the HAZARD switch again.

Tilt Steering (If equipped)

With the tilt steering option, you can move your steering wheel up or down.



Tilt steering release lever location

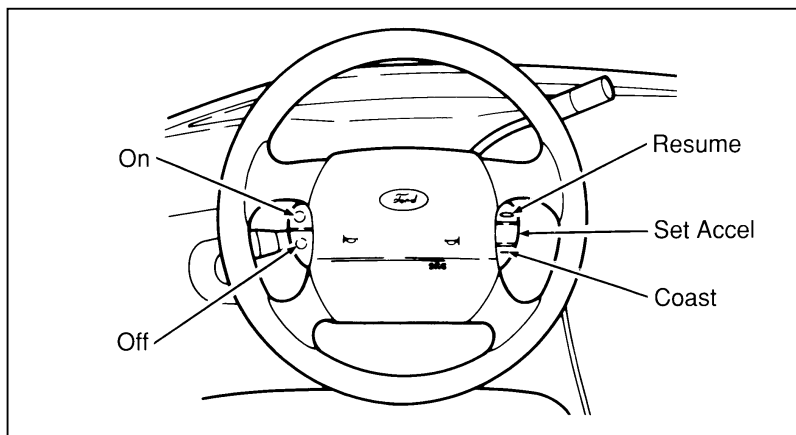
Controls and Features

To change the position of the steering column:

1. Make sure your vehicle is stopped.
2. Pull the tilt release lever on the column toward you.
3. Tilt the steering wheel up or down until you find the best position for you.
4. Release the lever to lock the wheel in place.

Be sure the steering wheel is locked in place. It can only be adjusted to specific positions. Do not adjust the steering wheel while the vehicle is in motion.

Speed Control (If equipped)



The speed control switches on the steering wheel

To Turn Speed Control Off

- Press OFF,
- Turn off the vehicle ignition.

Once speed control is switched off, the previously programmed set speed will be erased.

To Turn Speed Control On

- Press ON

To Set a Speed

Press SET ACCEL. For speed control to operate, the speed control must be ON and the vehicle speed must be greater than 30 mph (48 km/h).

If you drive up or down a steep hill, your vehicle speed may vary momentarily slower or faster than the set speed. This is normal.

Speed control cannot reduce the vehicle speed if it increases above the set speed on a downhill. If your vehicle speed is faster than the set speed while driving on a downhill in **D** (Overdrive), you may want to shift to the next lower gear to reduce your vehicle speed.

If your vehicle slows down more than 10 mph (16 km/h) below your set speed on an uphill, your speed control will disengage. This is normal. Pressing RESUME will re-engage it.

 WARNING
To keep your vehicle under control, do not use speed control in heavy traffic or on roads that are winding, slippery, or unpaved.

Controls and Features

To Set a Higher Set Speed

- Press and hold SET ACCEL. Release the switch when the desired vehicle speed is reached. OR
- Press and release SET ACCEL. Each press will increase the set speed by 1 mph (1.6 km/h). OR
- Accelerate with your accelerator pedal, then press SET ACCEL.

You may accelerate with the accelerator pedal at any time during speed control usage. Releasing the accelerator pedal will return your vehicle speed to the previously programmed set speed.

To Set a Lower Set Speed

- Press and hold COAST. Release the switch when the desired vehicle speed is reached. OR
- Press and release COAST. Each press will decrease the set speed by 1 mph (1.6 km/h). OR
- Depress the brake pedal. When the desired vehicle speed is reached, press SET ACCEL.

To Disengage Speed Control

- Depress the brake pedal, or
- Depress the clutch pedal.

Disengaging the speed control will not erase the previously programmed set speed.

To Return to a Set Speed

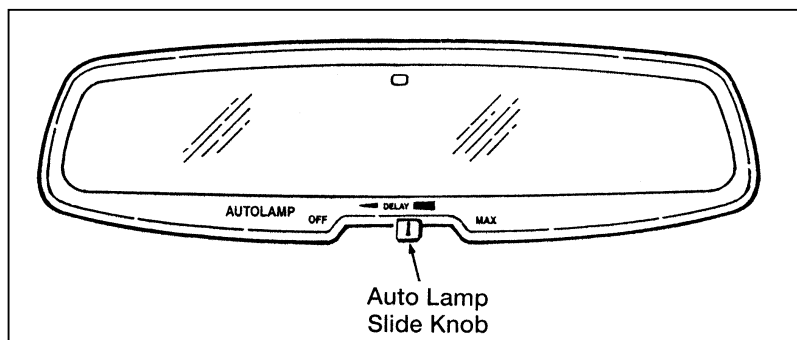
- Press RESUME. For RESUME to operate, the vehicle speed must be faster than 30 mph (48 km/h).

Indicator Light (If equipped)

Lights when either the SET ACCEL or RESUME switches are pressed and remains lit until it is either disengaged or turned off.

Setting the Autolamp Delay System (If equipped)

Autolamp delay allows the headlamps to remain on after the vehicle is parked and the ignition is turned off. The slide knob on the bottom of the mirror controls whether Autolamp is ON or OFF as well as the length of the delay. The delay can be adjusted from 1 second (far left position, but not OFF) up to 3 minutes (far right position). A green indicator on the lamp lets you know that the headlamps are being controlled by the Autolamp system.



The autolamp system

Controls and Features

Setting the autolamp

The headlamps can be adjusted to turn on earlier or later in the day according to the amount of outside light reaching the sensor inside the mirror. To turn the headlamps on using Autolamp, perform the following procedure.

1. Turn the ignition switch to the ON position and place the Autolamp slide knob to OFF.
2. Press and hold the MODE switch throughout the procedure. The MODE switch is located in a hole on the bottom left side of the mirror. It can be accessed with a paper clip or similar object.
3. Slowly slide the Autolamp slide knob to the right until the headlamps turn on. To have the headlamps turn on earlier, go to step 4. To have the headlamps turn on later, go to step 5.
4. Slowly slide the Autolamp slide knob to the left until the headlamps turn off. Go to step 6.
5. Slowly slide the Autolamp slide knob to the right until the headlamps turn off. Go to step 6.
6. Release the MODE switch. The new setting will be stored in permanent memory. If further change is required, you must repeat the procedure from the beginning.

Front Dome Lamp

Front dome lamp, rear cargo and second row reading lamp may be turned on and off using the dimmer switch.

The front dome lamp is located in the overhead console between the driver and front passenger seats.

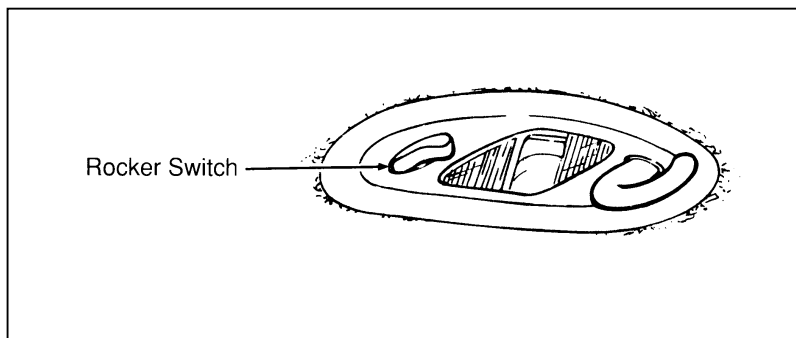
Turning on the map lamps (If equipped)

Your vehicle may have a map lamp for the passenger and one for the driver. The map lamps and switches are located on the front dome lamp in the overhead console.

The rear cargo lamp is located overhead in the rear of the vehicle.

Second Row Reading Lamp

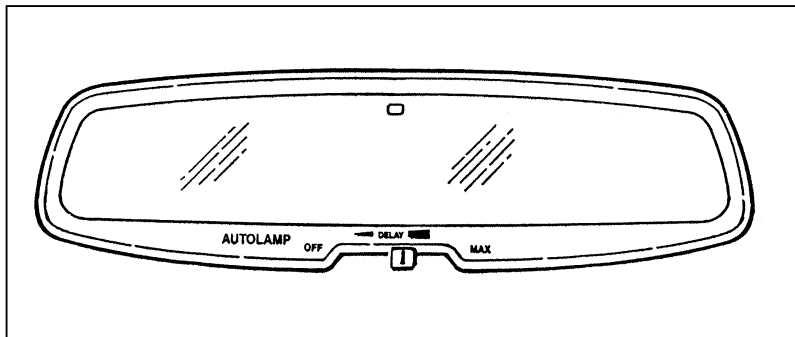
The second row reading lamp may be turned on by using the rocker switch located on the lamp assembly or by using the instrument panel dimmer switch.



Second row reading lamp

Controls and Features

Automatic Dimming Inside Rearview Mirror (If equipped)



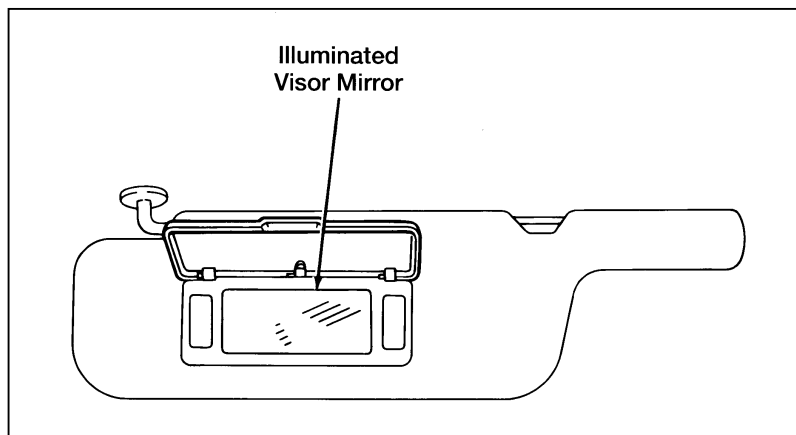
The automatic non-glare mirror

The electronic day/night mirror is equipped with a glare control feature that automatically darkens the mirror to reduce glare from headlamps of vehicles approaching from the rear. The mirror will return to the normal state when glare is no longer detected. There will be a slight delay before returning to the normal state from the non-glare state to prevent excessive changing of the mirror in traffic.

To provide full visibility when backing your vehicle, the mirror will not darken when you place the transaxle in R (Reverse).

Illuminated Courtesy Mirror (If equipped)

Your vehicle may have illuminated courtesy mirrors on the sun visors. You can turn on the lighted mirrors by lifting the mirror door cover.



The illuminated mirror on the sun visor

Doors

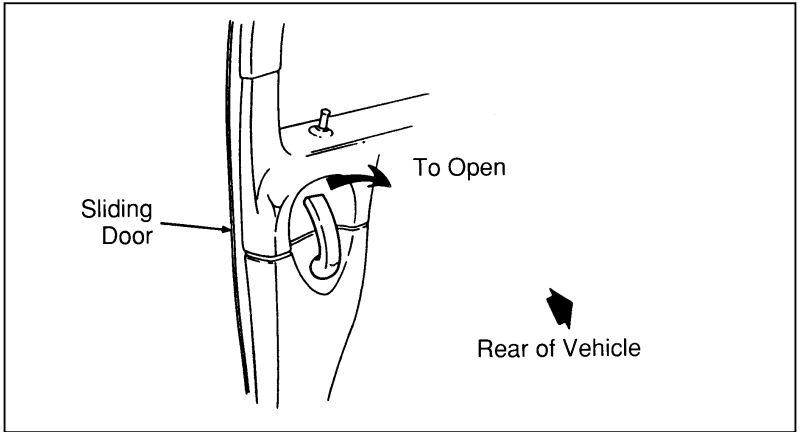
For information on the liftgate refer to the *Liftgate* section later in this chapter.

Sliding Door

The sliding door allows rear seat passengers to enter and exit easily.

To open the sliding door from inside of the vehicle, pull the handle toward the rear of the vehicle. The door will stay open if you slide it all the way back until the detent at the bottom of the door engages.

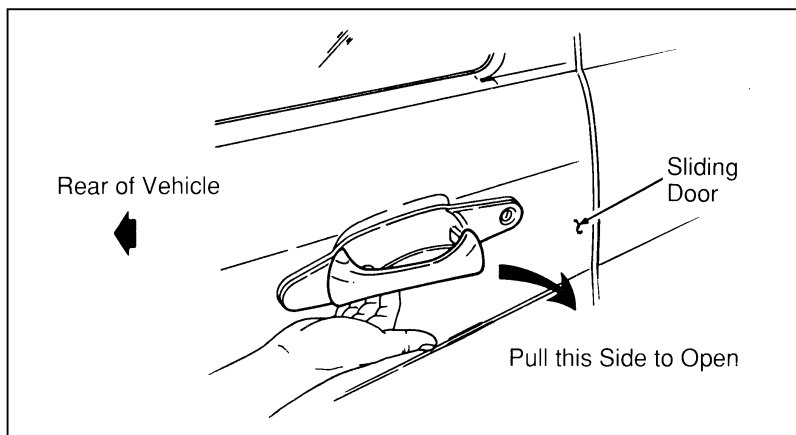
Controls and Features



The inside sliding door handle

To close the door, pull the handle toward the front of the vehicle and slide the door. Be sure it is fully closed.

To open the sliding door from outside the vehicle, unlock the door then unlatch the sliding door by pulling the handle straight out and sliding the door back.



The outside sliding door handle

Memory Lock

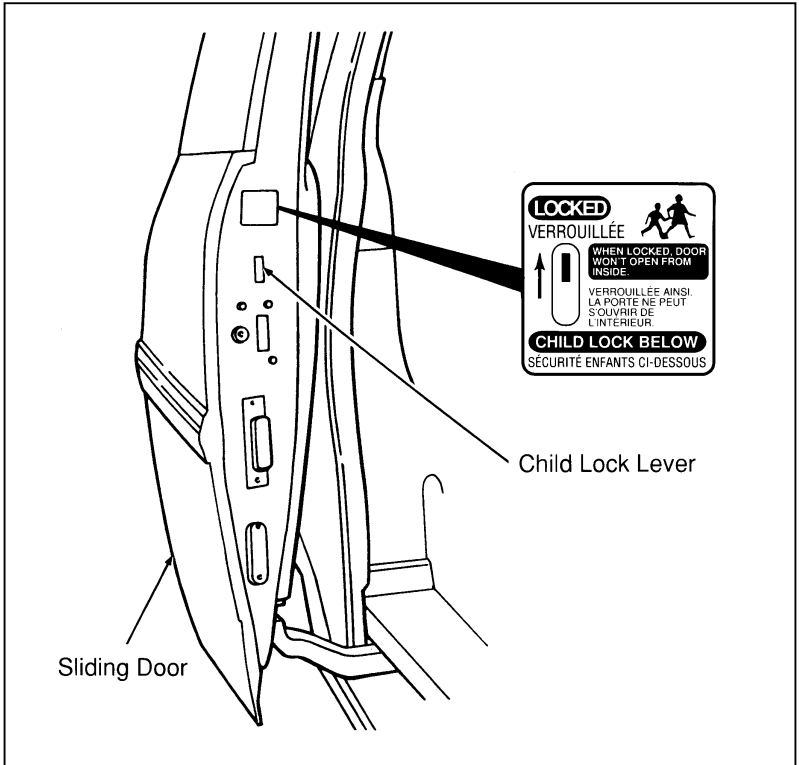
If you lock your doors with the power lock switch or the remote transmitter while the sliding door is open, the door will automatically lock after it is closed.

Childproof Lock for the Sliding Door

Your vehicle has a childproof lock for the sliding door. If you set the childproof lock, the sliding door cannot be opened from inside the vehicle.

This lock will keep children from opening the door from the inside; the door can still be opened from the outside if the door is unlocked.

Controls and Features



Childproof lock location

To set the childproof lock:

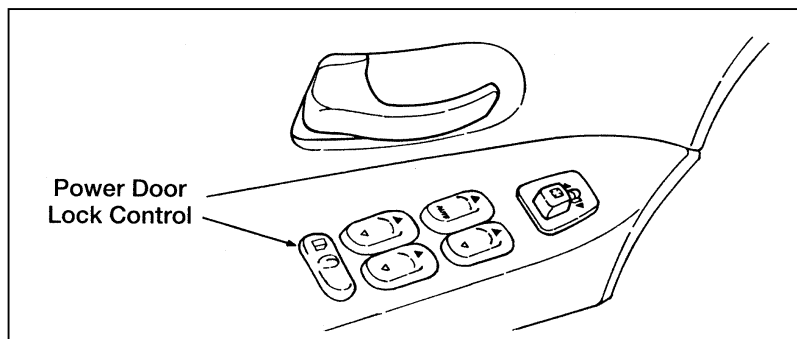
1. Open the sliding door.
2. Find the childproof lock lever below the label.
3. Push the lever to the up position.

To release the childproof lock:

1. Open the sliding door from the outside.
2. Push the lever to the down position.

Power Door Locks (If equipped)

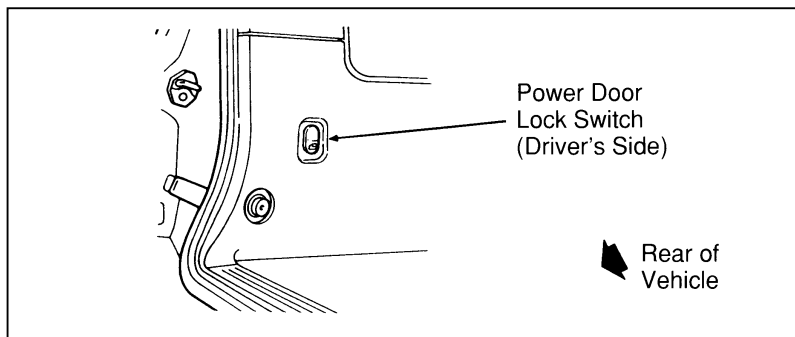
The power door lock control switches are located in the panels of the front doors. They control the locks on both front doors, the sliding door and the liftgate. To lock all doors, push the raised side of the switch. To unlock the doors, push the recessed side of the switch.



The power door lock switch

Door locks can also be operated from the power door lock switch in the cargo area.

Controls and Features



The power door lock switch in the cargo area

NOTE: If the sliding door is open when all doors are locked with the power door lock switch, the sliding door automatically locks when it is closed.

You can manually lock and unlock the doors using the manual door locks to override the power locks.

Windows

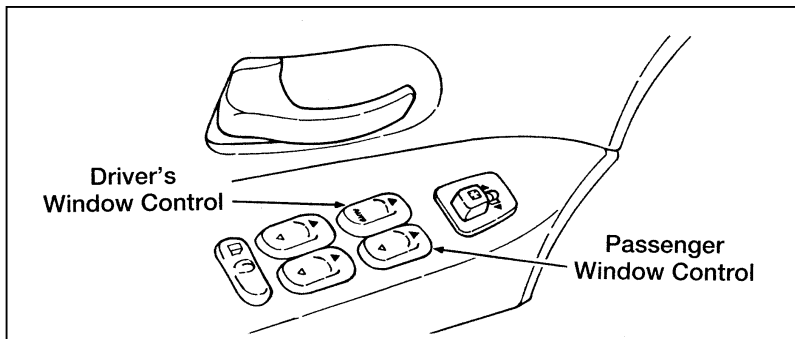
Power Windows with Accessory Delay (If equipped)

Both of the front doors have a power control that opens and closes the window on that door. The driver's door has master controls that operate both front door windows. You must initially place the ignition switch in the ON or ACC position to use your power window controls. The Accessory Delay function also allows the power windows to be operated for up to 30 seconds after the ignition key is removed or taken out of the ON or ACC position. Accessory Delay will be cancelled, however, if either of the front doors are opened.

To open a window, press the recessed area of the switch. To close it, press the raised area of the switch.

⚠ WARNING

Do not let children play with the power windows.



The power window switches

One-Touch-Down Power Window (If equipped)

The one-touch-down power window feature allows you to completely open the driver's window without holding down the window switch. To open the window completely, press the button all the way down until you hear a click. If the top of the button is pressed firmly while the window is going down, the window will stop at that position.

To open the window only partially, press the lower half of the switch lightly but not all the way down and hold it until the window has opened to the desired position and then release the switch.

To close the window you must hold the upper half of the button until the window closes.

Controls and Features

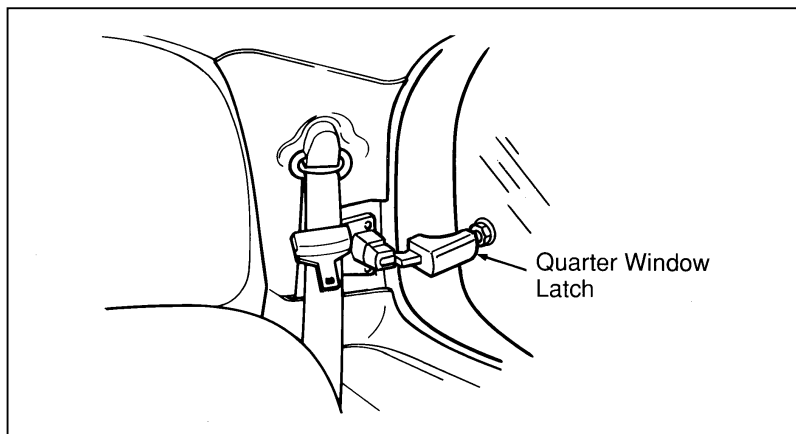
Canceling and reactivating the one-touch-down feature

The one-touch-down power window feature can be cancelled and reactivated at any time using the following procedure:

1. Make sure the two front doors are securely closed.
2. Insert the key into the ignition and turn first to the ON position and then back to the OFF position. Remove the key and within 30 seconds:
3. Press the DOWN side of the driver's side window rocker switch, gently and not all the way down.
4. Within two seconds, put the key in the ignition.

Manual Flip-Open Quarter Windows

To open the flip-open quarter windows in the third row, squeeze the upper and lower pads and pull the rear portion of the latch toward you. Swing the latch forward and out, then lock it into the open position by pushing rearward until you hear a click. To close the windows, squeeze the upper and lower pads and pull the handle inward. Release pads and push the handle inward until you hear a click.

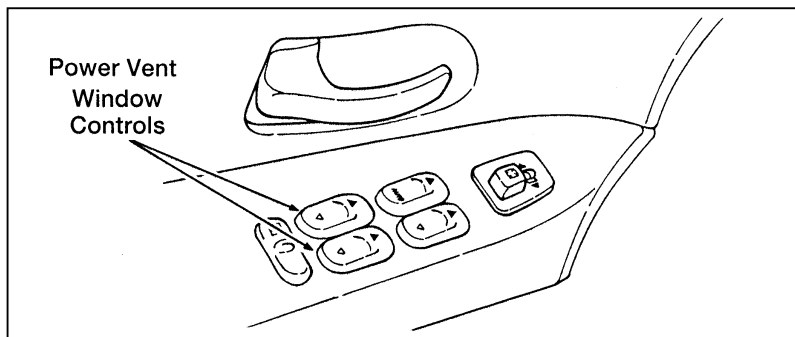


Manual flip-open quarter window latch location

Power Quarter Windows (If equipped)

The power rear quarter vent windows operate with the ignition in the ON or ACC positions. The vent windows are controlled by the right and left switches located on the door panel. Press the indented side of the switch to open the windows; press the raised side of the switch to close the windows.

Controls and Features



The power quarter window switches

Mirrors

⚠ WARNING

<p>Make sure you can see clearly through the rearview mirror at all times. Do not block your vision. If you cannot see through the mirror, it could result in a collision, injuring yourself and others.</p>

Side View Mirrors

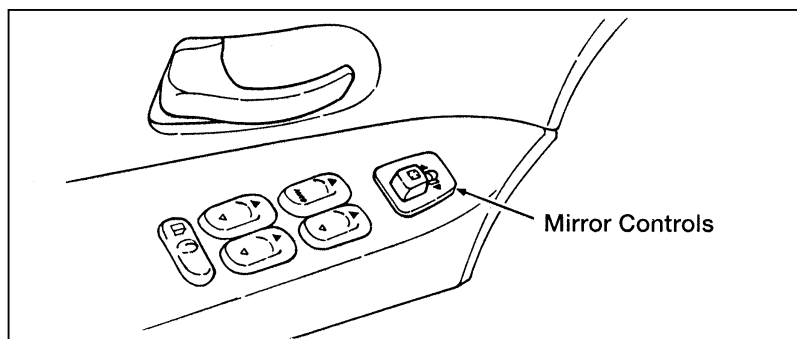
Close your door and adjust the driver's seat to the most comfortable position before you adjust the side view mirrors.

If you have manually adjusting side view mirrors, you can adjust them in any direction by moving the mirror glass. The mirror heads should be folded rearward to prevent damage when using an automatic car wash.

NOTE: Be careful. The convex side view mirror on the right makes objects appear smaller and farther away than they actually are. Use the inside rearview mirror (or look behind you) to determine the actual size and distance of objects that appear in the convex mirror.

Dual Electric Remote Controlled Mirrors (If equipped)

If you have power side view mirrors, you can adjust them in any direction by using the mirror controls on the door panel.

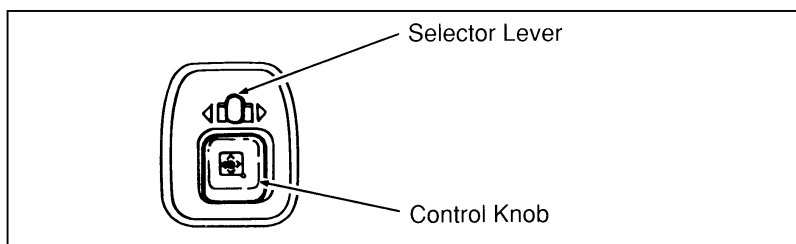


The electric mirror controls

Controls and Features

To adjust the remote controlled side mirrors:

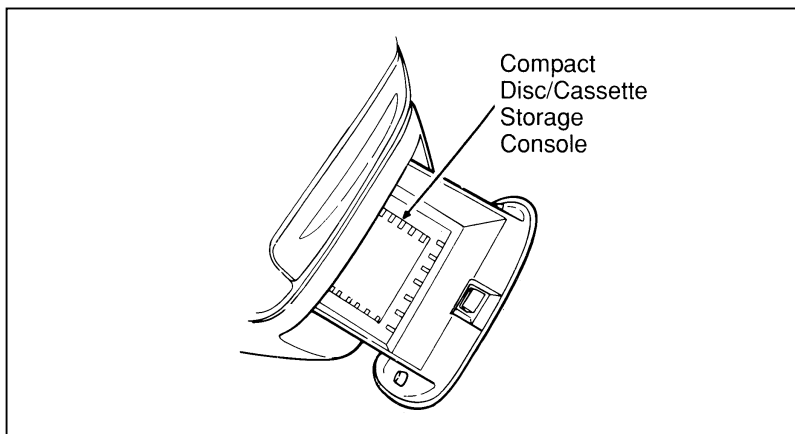
1. Select the right or left mirror by sliding the selector lever towards the right arrow or the left arrow.
2. Move the control knob in the direction you want to move the mirror.
3. Return the selector lever to the middle position to keep the mirror in place.



Operating the electric mirrors

Compact Disc and Cassette Storage Console (If equipped)

A storage compartment is included below the radio for storage of your discs or cassettes. There is also a compact disc and cassette storage insert in the storage compartment located under the front passenger seat (if equipped).

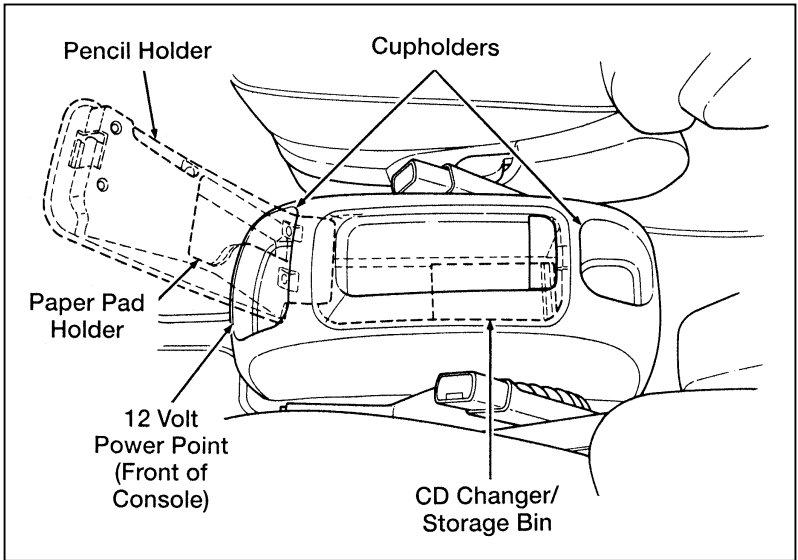


Compact disc/cassette storage

Controls and Features

Console (If equipped)

Your vehicle may have a full console. Console features are detailed in the following illustration. To open the console lid, lift up on the latch toward the rear of the console. If your vehicle has the CD changer (a dealer installed option), this console could also house the changer and conceal it from sight.

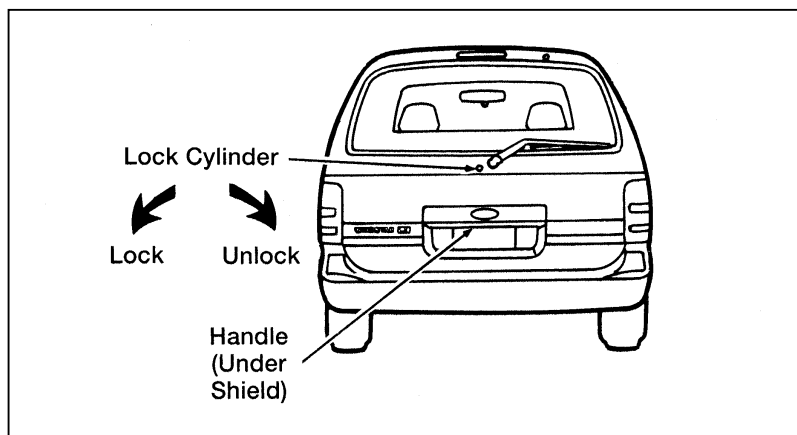


The full console

Liftgate

Liftgate opening procedure

1. To open the liftgate, insert the door key into the lock and turn it clockwise. You can also unlock the latch (but not release it) with the power door lock system.
2. Reach under the license plate light shield and release the liftgate latch by squeezing the paddle handle rearward.
3. To make the gate swing up to the fully opened position, pull back and upward on the latch paddle handle under or behind the license plate shield.



Opening the liftgate

Controls and Features

Make certain that you close the liftgate door before driving your vehicle. Possible damage may occur to the liftgate door lift cylinders and attaching hardware if the liftgate door is not closed prior to driving.

WARNING

Make sure that the liftgate door and/or window are closed to prevent exhaust fumes from being drawn into the vehicle. This will also prevent passengers and cargo from falling out. If you must drive with the liftgate door or window open, keep the vents open so outside air comes into the vehicle.

Liftgate closing procedure

1. To make the liftgate swing downward, reach up and pull the lower edge of the liftgate (or the loop handle on the inner trim panel of vehicles with this option) and pull downward.
2. When you have pulled down the liftgate enough so that you can reach the license plate light shield, push the shield down and forward to close the latch and liftgate. At this point, the latch is not locked.
3. You can lock the liftgate latch by pushing down the night-lock button (located on the inside of the liftgate at the bottom of the window) before you pull down and close the liftgate. You can also lock the liftgate latch by inserting your vehicle's door key and turning it counterclockwise after you have closed the liftgate, by pressing LOCK on your remote (if equipped), or by using the power door locks on the front doors or the power lock switch in the cargo area.

The liftgate area is only intended for cargo, not passengers. You can open and close the liftgate from outside the vehicle. It cannot be opened from inside the cargo area.

Cargo Net (If equipped)

The cargo net is designed to hold your cargo upright between the third row bench seat and the liftgate to prevent it from moving around the cargo area.

To install the cargo net:

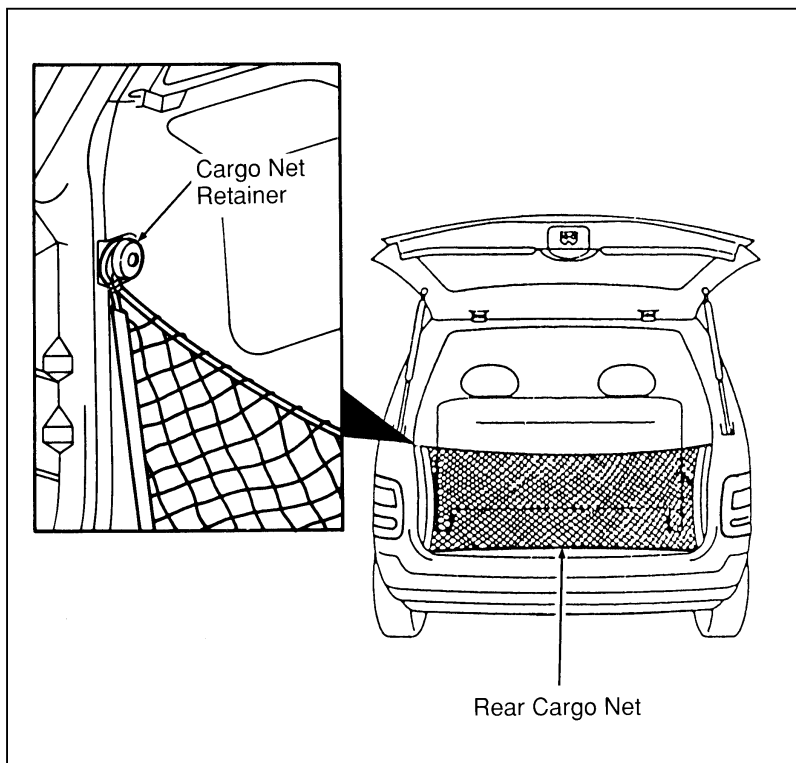
Attach the loops on the four corners of the net to the four retainers on the cargo area rear quarter panels. Pull on the net to be sure that it is fastened securely.

 WARNING
--

<p>Be sure to secure all four loops into the retainers. The cargo restrained in the net must not exceed 50 lbs. (22.5 kg) or the net may not stay secured.</p>

To remove the cargo net, remove the loops from the four retainers.

Controls and Features



The rear cargo net

Battery Saver

When the ignition switch is turned to OFF, the vehicle will turn off battery voltage to the interior lamps after 45 minutes. (The exterior lamps are not affected.) The purpose is to minimize extended battery drain if the lights have inadvertently been left on or if a door or the glove box is not completely closed. However, the timer will be immediately reset to another 45 minutes if any of the following occurs:

- any door is open or closed
- the front door handle is lifted (for Illuminated Entry only)
- taking the key IN or OUT of the ignition switch
- the Keyless Entry keypad is used
- the Remote Entry transmitter is activated

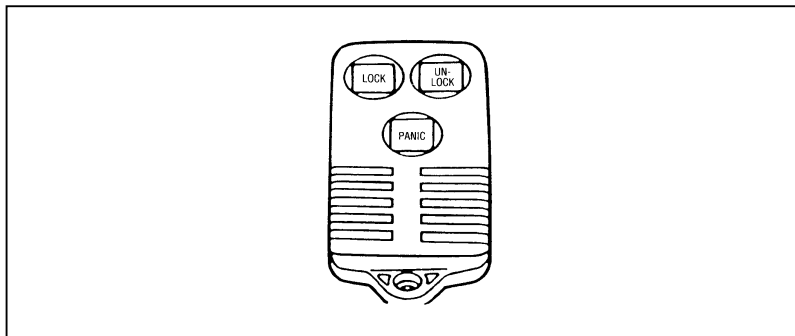
Remote Entry System (If equipped)

If your vehicle has the remote entry system, you can lock and unlock the vehicle doors without using a key. The remote entry system also has a personal alarm feature. The buttons that control the system are located on the hand held transmitter that comes with your vehicle.

The system will work with up to four remotes. Your vehicle came with two remotes. Additional remotes can be ordered from your dealer.

The remote entry features only operate with the ignition in the OFF position.

Controls and Features



The remote entry transmitter

Unlocking the Doors

To unlock the driver's door, press the UNLOCK control.

To unlock the other doors, press the UNLOCK control a second time within five seconds of unlocking the driver's door.

Locking the doors

To lock all the doors, press the LOCK control.

If you would like a signal that the doors have been locked, press the LOCK button again within five seconds. The doors will lock again and the horn will beep once if doors are closed and will beep twice if any door was left open.

Activating the remote personal alarm

If you wish to activate the remote personal alarm, press the PANIC button. This will honk the horn and flash the tail lamps and low beam headlamps for approximately two minutes and forty-five seconds. You can turn it OFF by pressing the PANIC button again on the same transmitter or by turning the ignition key to the RUN position. If the alarm does not turn off, move the transmitter closer to the vehicle and press the button again.

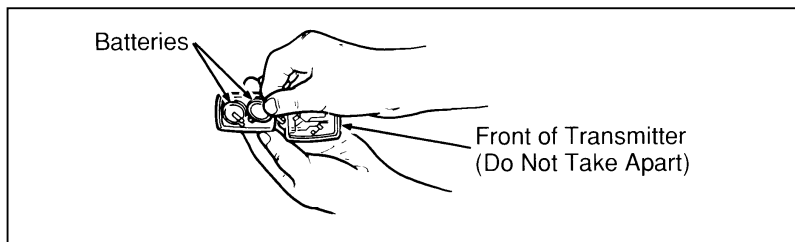
When you use the remote entry UNLOCK, or PANIC buttons, the illuminated entry system turns on the interior lights for 25 seconds. You can turn these lights off with the LOCK button or by turning the ignition to the RUN position.

Replacing the batteries

The remote is powered by two coin type three-volt lithium 2016 batteries (included) that should last for several years of normal use. If you notice a significant decrease in operating range, the batteries should be replaced. Replacement batteries can be purchased at most pharmacies, watch stores or at your Ford or Lincoln-Mercury dealer.

NOTE: The operating range of the remote entry system can also be affected by weather conditions (such as very cold temperatures) or structures around the vehicle (buildings, other vehicles, radio towers, etc.). Typical operating range will allow you to be up to 33 feet (10 meters) away from your vehicle.

Controls and Features



Replacing the batteries

The remote can be snapped apart to replace the batteries by twisting a thin coin between the two halves of the remote. **DO NOT TAKE THE FRONT PART OF THE REMOTE APART.** When installing the new batteries, be sure to place the positive (+) side down as marked. Snap the two halves back together.

Replacement/additional remotes

In the event a remote is lost, return the remaining remotes to your dealer for reprogramming of your remote entry system. This is necessary to prevent further unauthorized use of the lost remote.

Additional remotes may be purchased from your dealer (remote entry system will work with up to four remotes). Return your existing remotes to your dealer so the remote entry system can be reprogrammed with your new and existing remotes.

THIS DEVICE COMPLIES WITH PART 15 OF THE FCC RULES. OPERATION IS SUBJECT TO THE FOLLOWING TWO CONDITIONS: (1) THIS DEVICE MAY NOT CAUSE HARMFUL INTERFERENCE, AND (2) THIS DEVICE MUST ACCEPT ANY INTERFERENCE RECEIVED, INCLUDING INTERFERENCE THAT MAY CAUSE UNDESIRE OPERATION.

Illuminated Entry System (If equipped)

This system will provide illumination of the vehicle's interior courtesy lamps when the remote entry system is used to unlock the door or sound the personal alarm. The system will automatically turn off after approximately 25 seconds, when the ignition is turned to the RUN or ACC position or when the lock button on the transmitter is pressed.

NOTE: The illuminated entry timer will not turn off the courtesy lamps if they have been turned on by the door and or dimmer switch.

Autolock

The Autolock feature is part of your remote entry system and is enabled at the factory. With the Autolock feature enabled, all of the doors will automatically lock when:

- the vehicle doors and liftgate are closed
- the ignition key is turned to the ON position
- you shift into R (Reverse)
- one second has elapsed after the brake pedal is released

The Autolock feature will repeat when:

- a door is opened and then all doors and the liftgate are closed
- the brake pedal is released

Controls and Features

The doors may not lock automatically at the correct time if the driver:

- shifts through gears without pressing the brake
- shifts through gears quickly after starting the vehicle
- releases their foot from the brake while someone has stepped out of the vehicle for a moment

To activate/deactivate Autolock/Relock feature:

1. Turn ignition from OFF to ON/ACC.
2. Press power door “UNLOCK” three times.
3. Turn ignition from ON/ACC to OFF.
4. Press power door “UNLOCK” three times.
5. Turn ignition from OFF to ON/ACC.

A horn chirp indicates the activate/deactivate feature mode is entered.

6. Press power door “UNLOCK” one time.
7. Press power door “LOCK” to switch between Autolock/Relock.

The user will hear a horn chirp followed by either a:

- long honk — autolock/relock activated.
- no honk — autolock/relock deactivated.

After leaving the activate/deactivate mode, if autolock/relock has been changed, there will be a horn chirp.

To reactivate the Autolock system, simply repeat the instructions for deactivating the system.

Anti-Theft System (if equipped)

When armed, this system helps protect your vehicle against break-ins or theft.

When an unauthorized entry occurs, the system triggers and will:

- flash the low beam headlamps, parking lamps, and alarm indicator lamp
- honk the horn
- disable the starting circuit to prevent the vehicle from being started

Arming the System

1. Remove the key from the ignition.
2. Lock the doors by using the power door lock switch. The alarm indicator light will now glow steadily.
4. Close all doors and liftgate. The alarm indicator light will then remain on steadily for 30 seconds and then go out. When the light starts flashing, the system is armed.

NOTE: Be sure to close all doors completely. If not, the alarm indicator light will remain on. Remember, your anti-theft system is armed only after the alarm indicator light remains on steadily for approximately 30 seconds after the last door is closed, and then goes out.

Controls and Features

You can also arm the anti-theft system by following this sequence:

1. Remove the key from the ignition. The hood must be closed to arm the system.
2. Close all of the doors and liftgate.
3. Press the remote entry transmitter LOCK button. The alarm indicator will come on for 30 seconds to show the alarm is arming and then flash to show that it has armed.

Disarming an Untriggered Anti-Theft System

You can disarm the system by unlocking either front door or the liftgate with your door key. Turn the key all the way to the end of travel or the system will not disarm.

You can also disarm the system by unlocking the driver's door by using the UNLOCK button of the remote entry transmitter.

If the system is armed and you remain in your vehicle, simply insert the key into the ignition and turn it to ON. This disarms the system and allows you to open the door and exit without triggering the system.

Disarming a Triggered System

The alarm can be disarmed by:

- unlocking any door with the key, or
- using the UNLOCK control on the remote entry transmitter
- using the PANIC button of the remote entry transmitter

NOTE: The flashing lights and honking horn will shut off automatically approximately two minutes and 45 seconds after the system is triggered. It will trigger again if another intrusion occurs. However, the starter circuit remains disabled until the system is disarmed.

Seating and Safety Restraints

Seats

Adjusting the Seats

Adjusting the front seats manually

To move the front seats forward or backward:

1. Find the adjustment bar at the lower cushion of the front seat.
2. Pull the bar up to unlatch the seat.
3. Move the seat to the desired position.
4. Release the bar to latch the seat in its new position. Make sure the seat locks securely in place.

 WARNING
--

Never adjust the driver's seat or seatback when the vehicle is moving.

 WARNING
--

Do not pile cargo higher than the seatbacks to avoid injuring people in a collision or sudden stop.
--

 WARNING

Always drive and ride with your seatback upright and the lap belt snug and low across the hips.
--

 WARNING
--

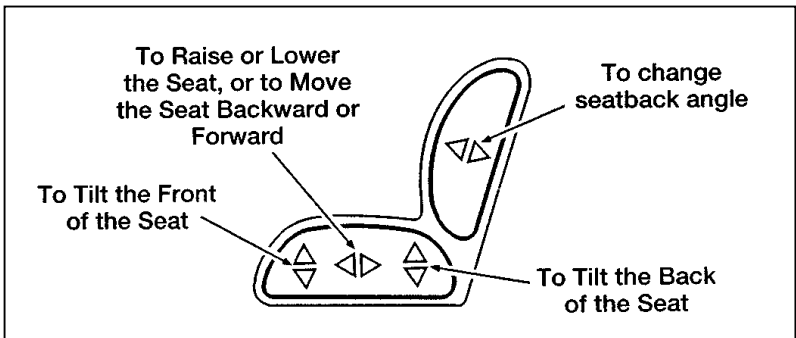
Children should always ride with the seatback in the fully upright position.

⚠ WARNING

It is extremely dangerous to ride in a cargo area, inside or outside of a vehicle. In a collision, people riding in these areas are more likely to be seriously injured or killed. Do not allow people to ride in any area of your vehicle that is not equipped with seats and safety belts. Be sure everyone in your vehicle is in a seat and using a safety belt properly.

Using the power seats (if equipped)

If your vehicle has the power seat option, you can adjust it in several directions. The controls are on the outboard side of the driver's seat.

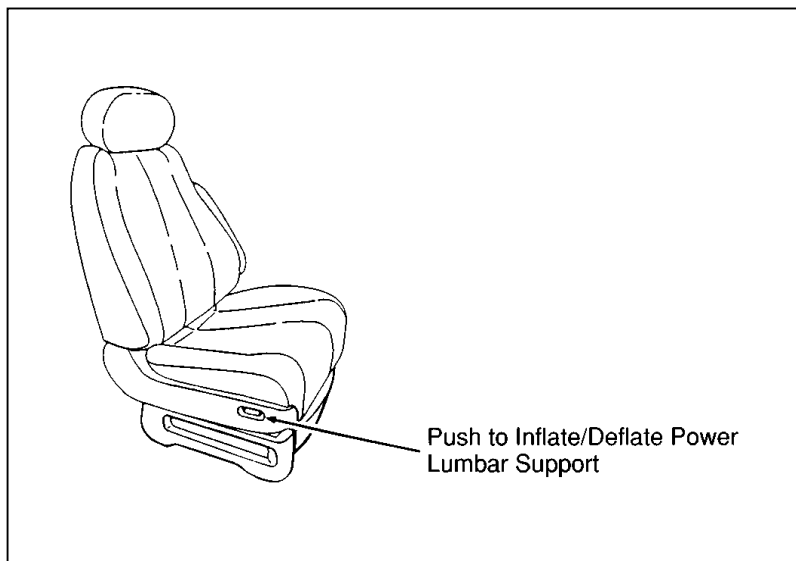


The power controls on the driver's seat

Seating and Safety Restraints

Power lumbar support, driver/passenger seat (If equipped)

If your vehicle is equipped with this option, you can inflate a lumbar support pad in the seat back. To inflate the lumbar pad, push the raised side of the rocker switch. To deflate, push the recessed side of the switch.



The power lumbar switch on the passenger seat

Reclining Bucket Seats (Manual Seats)

Your vehicle is equipped with reclining front bucket seats and may have optional reclining second row buckets. To recline your seat:

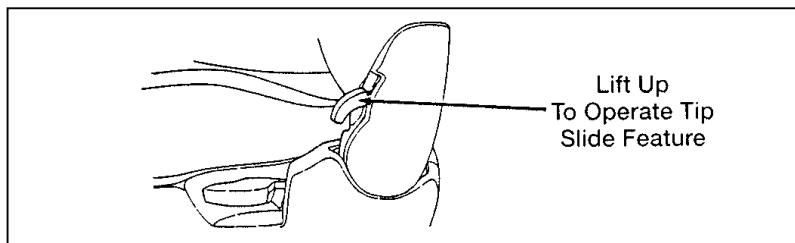
1. On the left sides (front seats) or window seat sides (second row buckets) of the seats, find the handle for the recliner.
2. Lift the handle up and hold it in place.
3. Lean against the back of the seat and adjust it to the position you want.
4. Release the handle to lock the seatback in position.
5. To return the seatback to upright position, lift the handle and lean forward. Then release the handle.

Tip Slide Seat (If equipped)

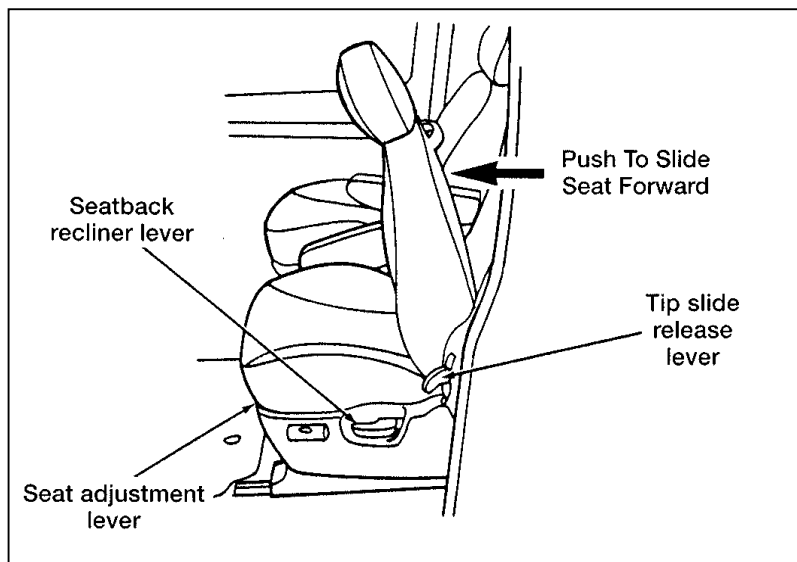
This feature allows convenient access into the second row seats through the driver's door.

To operate the tip slide seat:

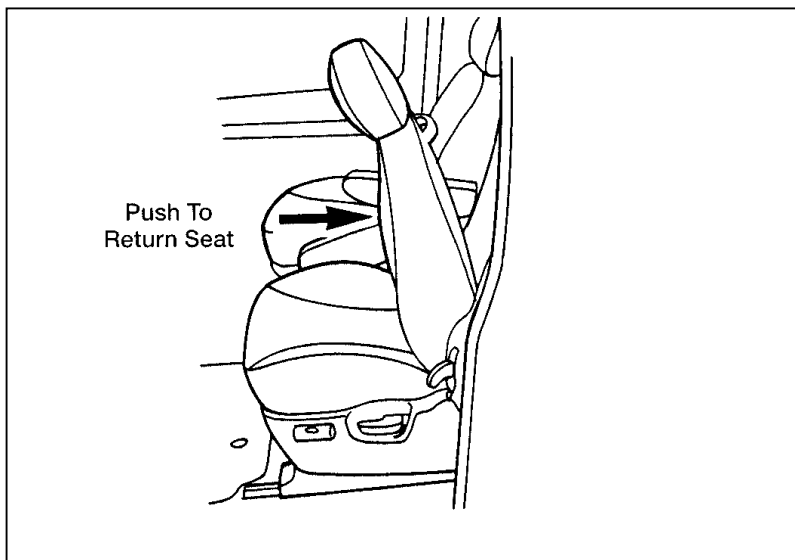
1. Lift the tip slide release lever located at the base of the driver's seatback. The seatback will tilt forward.



Seating and Safety Restraints



-
2. Push on the seatback to move the seat assembly forward. This provides access to the second row for loading and unloading groceries, briefcases, passengers, etc. through the driver's door.



To return the driver seat to its previous position and seatback angle:

1. Push the seatback to move the seat assembly rearward, until it stops.
2. Continue pushing to return the seatback to its previously locked position.

Seating and Safety Restraints

NOTE: When returning the seatback to its original position, you may experience a slight hesitation. If so, stop pushing the seatback momentarily, then resume. The seatback will return to its original position after the seat is safely latched.

Your Windstar tip slide seat has been equipped with a lock-out feature which prevents the seatback from returning to its original position until the seat latches in the tracks. If the seat has not latched check under the seat and in the tracks for possible obstructions.

 WARNING
--

DO NOT DRIVE THE VEHICLE WITH THE TIP SLIDE SEAT UNLATCHED.
--

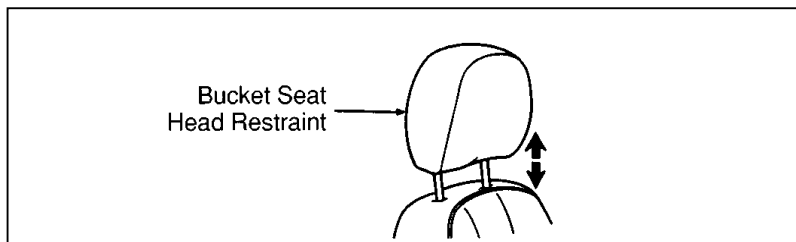
To move the seat forward or backward:

1. Find the adjustment bar underneath the front part of the seat.
2. Lift the bar to unlatch the seat.

Adjusting the Front Head Restraints (LX/Ltd Only)

Your vehicle's bucket seats are equipped with head restraints which are vertically adjustable. The purpose of these restraints is to limit head motion in the event of a rear collision.

To adjust the head restraints up, simply pull up on them. To adjust them back downward, push down. The head restraints will remain stationary in whatever position they are placed.



Head restraint adjustment

NOTE: On GL models, front bucket seats are designed with integral headrests.

E-Z access operation — passenger side optional second row bucket seats

To provide easy access to the rear of the vehicle, the passenger side second row bucket seatback can be tilted forward.

To tilt seat forward:

1. Put the seatback in the upright position.
2. Lift upward on the handle on the right (outboard) side of the seat (also the recliner release handle).
3. The seat can now be tilted forward.

To latch the seat in its normal position, push seatback rearward until it is latched in position.

Seating and Safety Restraints

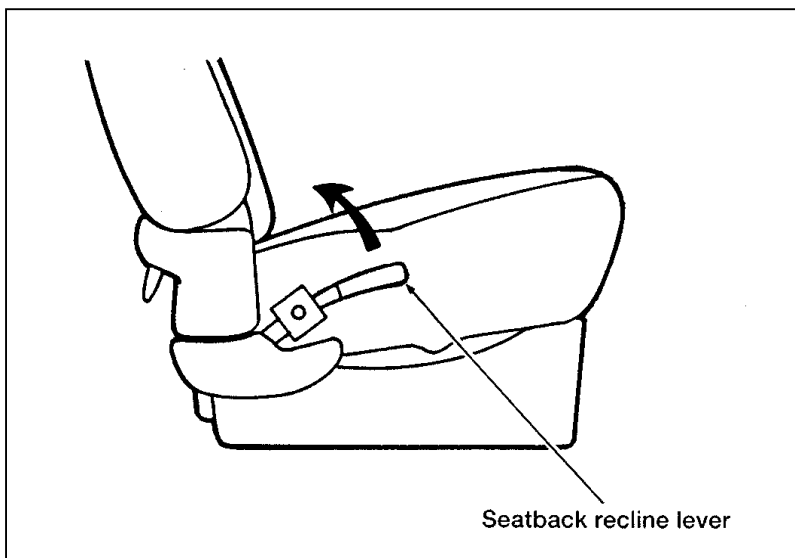
Adjustable Three Passenger Bench Seat (If equipped)

Your vehicle's third row passenger bench seat may be adjustable forward and backward. This adjustment allows for additional cargo space with the seat adjusted to the full forward position and extra leg room when adjusted rearward.

Rotate the release handle upward to unlatch. The release handle is located on the right side of the seat near the floor. Adjust to the desired seat position and release the handle. Make certain the seat is latched and secure.

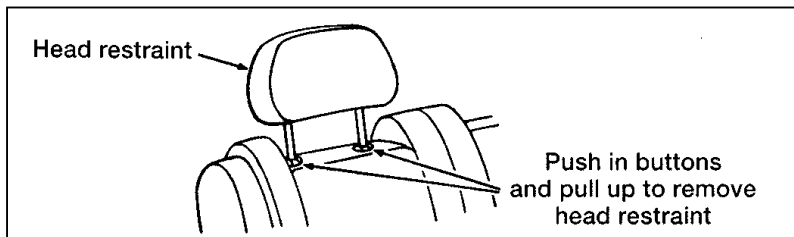
Reclining second row bench seat

To recline the bench seat, pull up on the lever located just in front of the seat belt buckle, then push the seatback to the desired position.



Seat/Bed Conversion (If equipped)

The head restraints must be removed before converting the seat to a bed. To remove the head restraints, pull the head restraints all the way up, then push the buttons on the head restraint guides and lift the head restraints out.



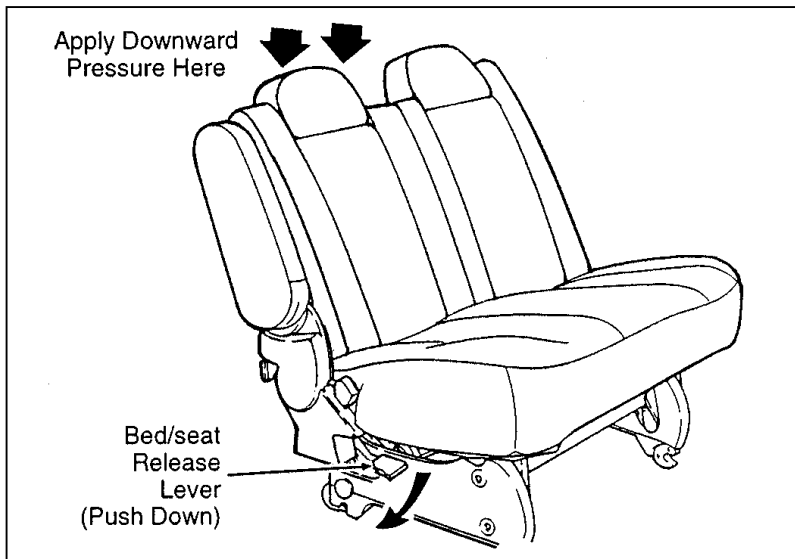
2nd Row Seat

To convert the seat to a bed:

1. Unlatch the seat/bed lever, located on the right-hand side of the seat cushion by pushing down.
2. Push the seatback down and rearward by applying pressure at the top of the seatback until it latches.

Seating and Safety Restraints

The seat cushion will move forward when going from the seat to the bed position.



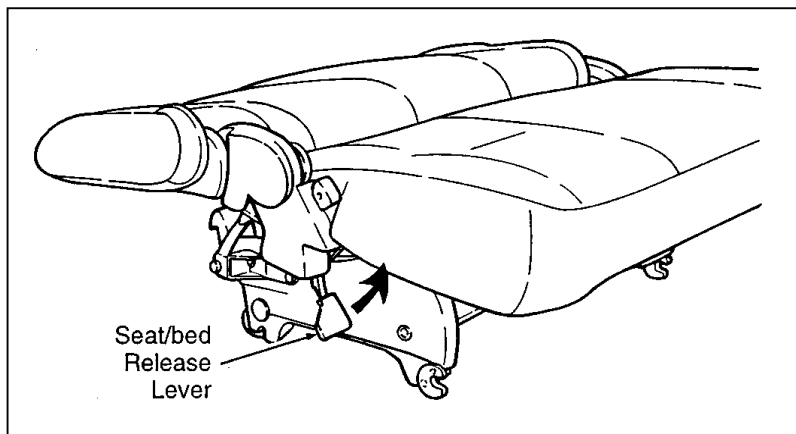
2nd row seat (seat position)

To convert the bed to a seat:

1. While in front of the seat, pull the release lever up, slightly raise the seatback, then push the seat bottom rearward until the seatback is in the full upright and locked position.
2. Make sure the safety belts are free and available for use.

⚠ WARNING

The seat/bed should not be occupied while the vehicle is moving unless it is in the upright, fully-latched position.



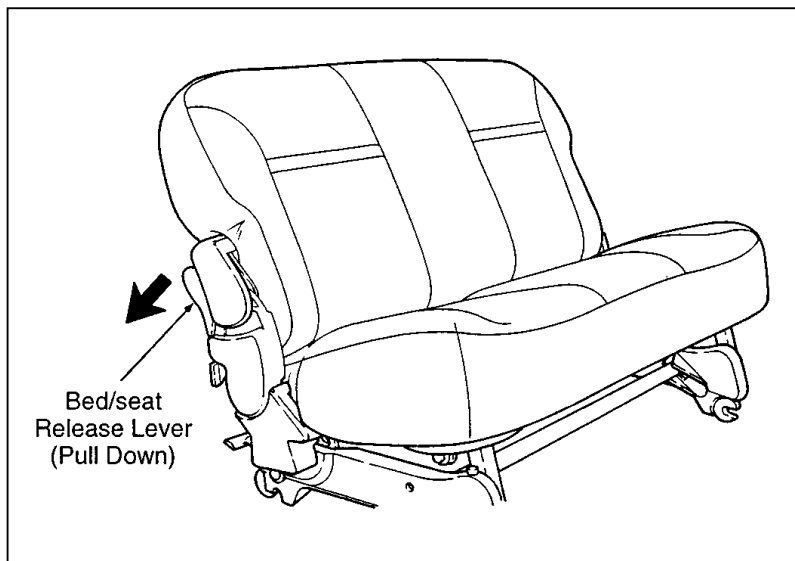
2nd row seat (bed position)

3rd row seat

To convert the seat to a bed:

1. From the rear of the vehicle, pull down on the release lever located on the right-hand side of the seat, and at the same time pull the seatback rearward.
2. Push down at the top of the seatback until it latches.

Seating and Safety Restraints



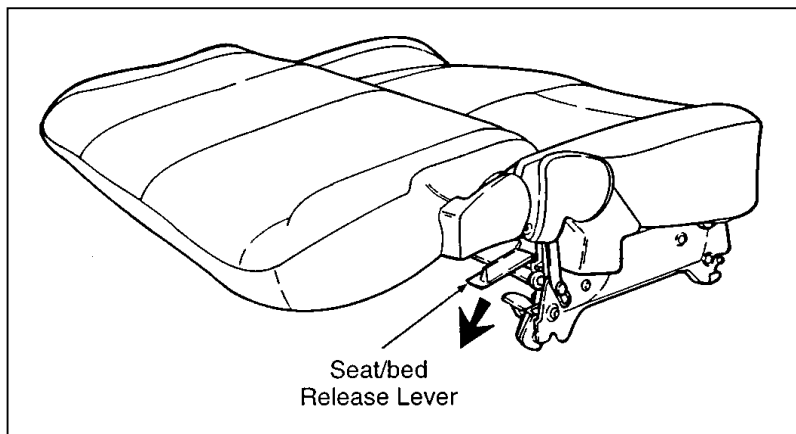
3rd row seat (seat position)

To convert the bed to a seat:

1. From the rear of the vehicle, pull the release lever down and at the same time lift the seatback up. Raise the seatback to the full upright and locked position.
2. Make sure the safety belts are free and available for use.

WARNING

The seat/bed should not be occupied while the vehicle is moving unless it is in the upright, fully-latched position.



3rd row seat (bed position)

Removing the Seats

Quick release second row bucket seats (if equipped)

To remove the second row bucket seats:

1. Lift the seat latch handles (located at the rear of the seat near the floor) up and rearward, causing the latch hooks to disengage from the rear floor attachments.
2. While lifting the handles, lift the seat at the rear and rotate entire seat assembly forward, pivoting on the front floor attachments. When seat latches are clear of floor attachments, release the latch handles.
3. Pull the seat rearward to disengage it from the front floor pins.

Seating and Safety Restraints

To install the second row bucket seats:

1. Lift the seat assemblies into the vehicle.
2. Locate front hooks on front pins and drop rear hooks over rear pins with enough force to cause the hooks at the rear to engage and hook on to the pins in the floor wells.
3. Ensure that the latch handles are fully seated in the down position.

 WARNING
--

<p>Check to see that the seat and seatback are latched securely in position. Keep floor area free of objects that would prevent proper seat engagement. Never attempt to adjust the seat while the vehicle is in motion.</p>

Two and Three Passenger Bench Seat Assemblies

NOTE: It is easiest to remove/reinstall both the second and third row bench seats through the sliding door. Also, remove any floor mats (if equipped) in the rear seating compartments before seat removal.

To remove seat assembly:

1. (For second row bench seat only) Disengage the tongue portion of the lap/shoulder belt from the detachable anchor assembly by inserting a key or small screwdriver into the slot provided on the detachable anchor (see Figure 1). When this shoulder belt assembly is free of the seat, allow the retractor to wind up the slack in the belt.

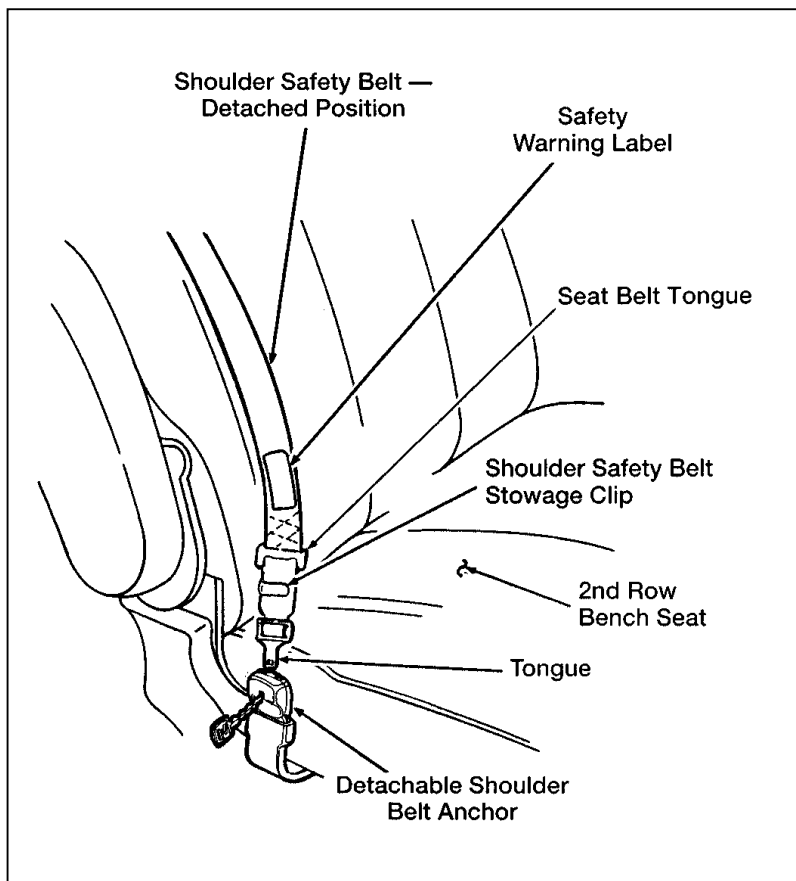


Figure 1: Second row detachable anchor — detached position

Seating and Safety Restraints

- Using the clip attached to the end of the shoulder belt, clip the end of the belt to the stationary portion of the shoulder belt coming out of the trim (see Figure 2). The end of the shoulder belt **must** be clipped in order to keep it from striking anything during vehicle operation.

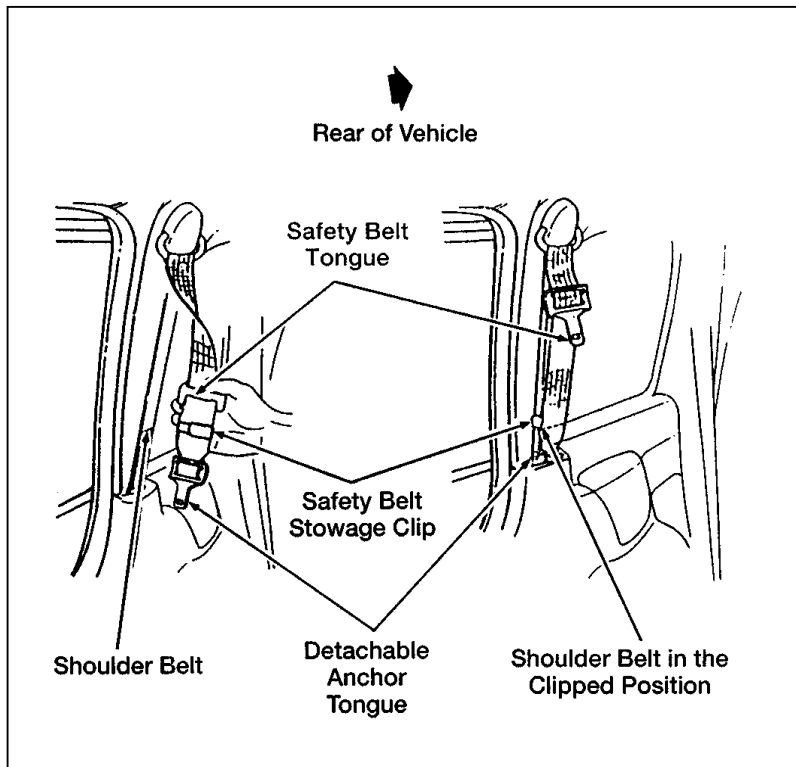


Figure 2: Securing the detachable shoulder belt

Refer to Figure 3 for steps 3-6.

3. Release the seatback by pulling the lever located at the back of the seat on the right hand side. Fold the seatback forward and latch it in the down position (except for bench seat equipped with built-in child safety seat).
4. Locate the seat latch handles at the rear of the seat near the floor. For the second row bench seat, lift the latch handles up and rearward. For the third row bench seat, just lift the latch handles. The latch hooks will disengage from the rear floor attachments.
5. While still lifting the handles, lift seat at rear and rotate entire seat assembly forward, pivoting on the front floor attachments. When the rear seat latches are clear of floor attachments, release the latch handles.
6. Pull the seat rearward to disengage it from the front floor pins.

Seating and Safety Restraints

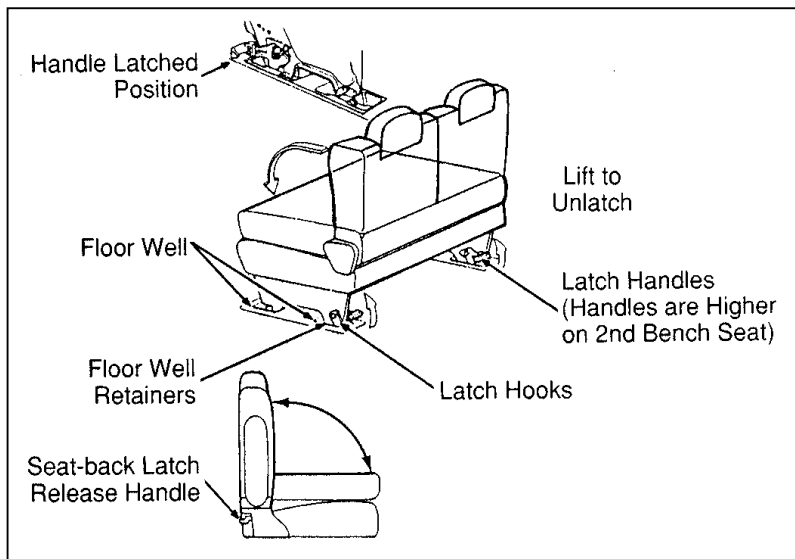


Figure 3: Removal and installation of the second and third bench seats

Be careful that the latches are not damaged when the seats are stored.

To install the seat assembly:

1. Clear the area of debris around the seat floor attachments.
2. With the seatback in a folded and latched position (except for bench seats equipped with built-in child safety seat), place the seat assembly in your vehicle. Tip the seat assembly forward and engage the front seat hooks onto the forward attachment pins in the floor wells.
3. Rotate the seat downward and engage the latch into the rear floor attachment. Lifting of the latch handles is not required for installation.

-
4. Ensure that the latch handles are fully seated in the down position.
 5. (Second row bench seat only) Before you engage the safety belt, be sure it is not twisted. A twisted safety belt may cause the retractor to not work properly. Remove any twist, then insert the tongue end of the safety belt into the detachable anchor until you hear a “snap” and feel the latch engage.
 6. To raise the seatback, pull up on the seatback latch handle. A slight downward pressure on the seatback (bench seat only) will reduce effort on the latch. Rotate the seatback upward until the latch re-engages.

 **WARNING**

When reinstalling a rear seat in your vehicle it must be placed in its original position. Improper installation of the seat will prevent correct use of the safety belts and could increase the risk of injury. Refer to the warning label on the seat belt.

Whenever the second row bench seat is installed in the vehicle and no one is using the outboard seating position (nearest the sliding door), the lap/shoulder safety belt must be properly stowed.

Seating and Safety Restraints

The two passenger bench seat must be installed in the first row behind the front seats.

⚠ WARNING

Never adjust the driver's seat or seatback when the vehicle is moving.

⚠ WARNING

Always latch the vehicle seat to the floor, whether the seat is occupied or empty. If not latched, the seat may cause injury during a sudden stop.

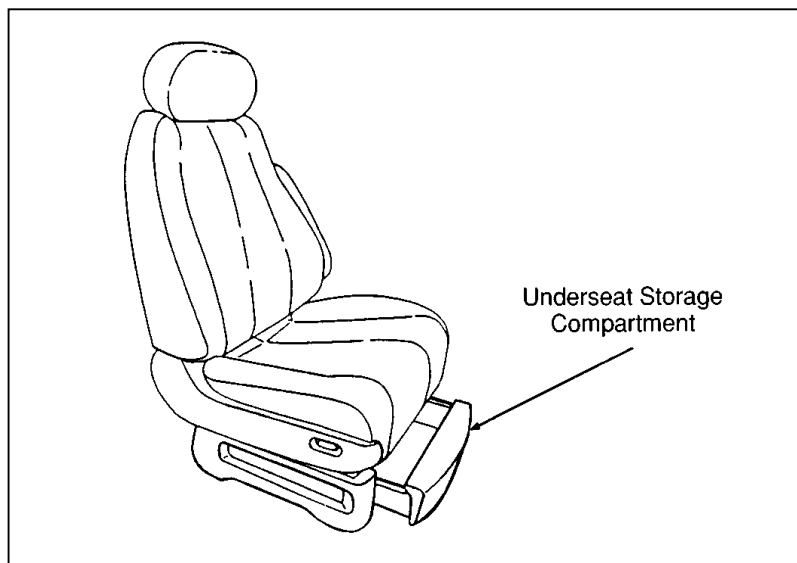
⚠ WARNING

Before using the seat, make sure that the latch hooks are securely locked around the floor pins.

Storage Compartments

Underseat Storage Compartment (Ltd Only — If equipped)

The underseat storage compartment is located underneath the front passenger seat. It can be opened by pulling up and toward the instrument panel.



The underseat storage compartment

Seating and Safety Restraints

Safety Belts

The use of safety belts helps to restrain you and your passengers in case of a collision. In most states and in Canada, the law requires their use. We strongly recommend that you use them every time you travel in your vehicle.

Safety belts provide best restraint when:

- the seatback is upright
- the occupant is sitting upright (not slouched)
- the lap belt is snug and low on the hips
- the shoulder belt is snug against the chest
- the knees are straight forward

See the following sections in this chapter for directions on how to properly use these safety belts. Also see *Safety Restraints for Children* in this chapter for special instructions about using safety belts for children.

⚠ WARNING
Make sure that you and your passengers, including pregnant women, wear safety belts. Be sure that the lap belt portion of your safety belt fits snugly and as low as possible around the hips.

⚠ WARNING
Cargo should always be secured to prevent it from shifting and causing damage to the vehicle or harm to passengers.

⚠️ WARNING

Each seating position in your vehicle has a specific safety belt assembly which is made up of one buckle and one tongue that are designed to be used as a pair. 1) Use the shoulder belt on the outside shoulder only. Never wear the shoulder belt under the arm. 2) Never swing it around your neck over the inside shoulder. 3) Never use a single belt for more than one person.

⚠️ WARNING

Always drive and ride with your seatback upright and the lap belt snug and low across the hips.

⚠️ WARNING

Children should always ride with the seatback in the fully upright position.

⚠️ WARNING

Never let a passenger hold a child on his or her lap while the vehicle is moving. The passenger cannot protect the child from injury in a collision.

⚠️ WARNING

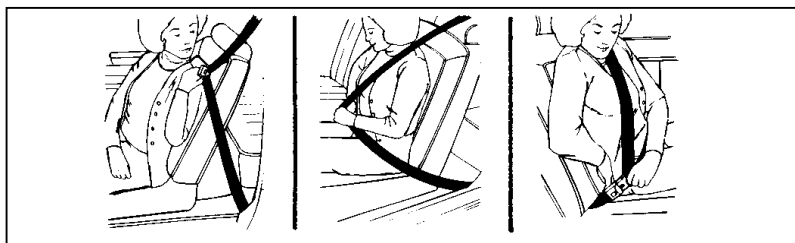
Lock the doors of your vehicle before driving to lessen the risk of the door coming open in a collision.

Seating and Safety Restraints

Combination Lap and Shoulder Belts

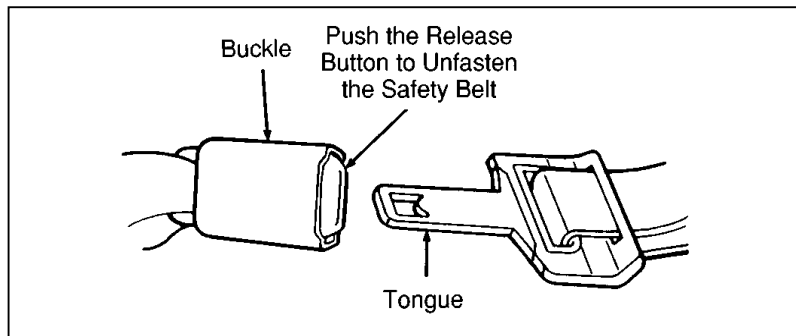
While your vehicle is in motion, the combination lap and shoulder belt adjusts to your movement. However, if you brake hard, turn hard, or if your vehicle receives an impact of 5 mph (8 km/h) or more, the lap/shoulder belt locks and helps reduce your forward movement.

After you get into your vehicle, close the door and lock it. Then adjust the seat to the position that suits you best.



Fastening the front seat lap and shoulder belt

Push the release button on the buckle. This allows the tongue to unlatch from the buckle.

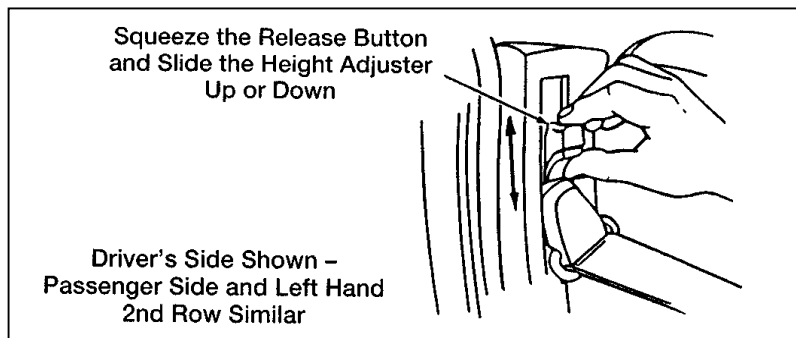


Unfastening the combination lap and shoulder belts

While the belt retracts, guide the tongue to its original position to prevent it from striking you or part of the vehicle.

Shoulder Belt Adjustment (Driver, Right Front Passenger and 2nd Row Left Hand Side Passenger)

You can adjust the shoulder belt height to one of five (5) positions. To adjust, pinch the release button and slide it up or down until the belt rests on your shoulder near your neck. Release the button and make sure the adjuster is firmly seated in one of the five (5) positions.



The shoulder belt height adjuster

Combination Lap and Shoulder Belt — Second Row Bench Seat

There is a unique safety restraint system for the outside seating position of the second row bench seat. It is very important that you read and understand this section before anyone rides in the outside seating position (near the sliding door) of the two-passenger bench seat.

Seating and Safety Restraints

In addition to safety belt anchorages in the floor and roof structures, the second row bench seat has a detachable safety belt anchor mounted to the right window side of the seat. The safety belt should always remain attached to this anchor except when removing this seat.

When removing the second row bench seat:

1. Disengage the safety belt from the seat by inserting a key or small screwdriver into the slot provided on the detachable anchor (see Figure 1). When this shoulder belt assembly is free of the seat, allow the retractor to wind up the slack in the belt.
2. Using the clip attached to the end of the shoulder belt, clip the end of the belt to the stationary portion of the shoulder belt coming out of the trim (see Figure 2). The end of the shoulder belt **must** be clipped in order to keep it from striking anything during vehicle operation.

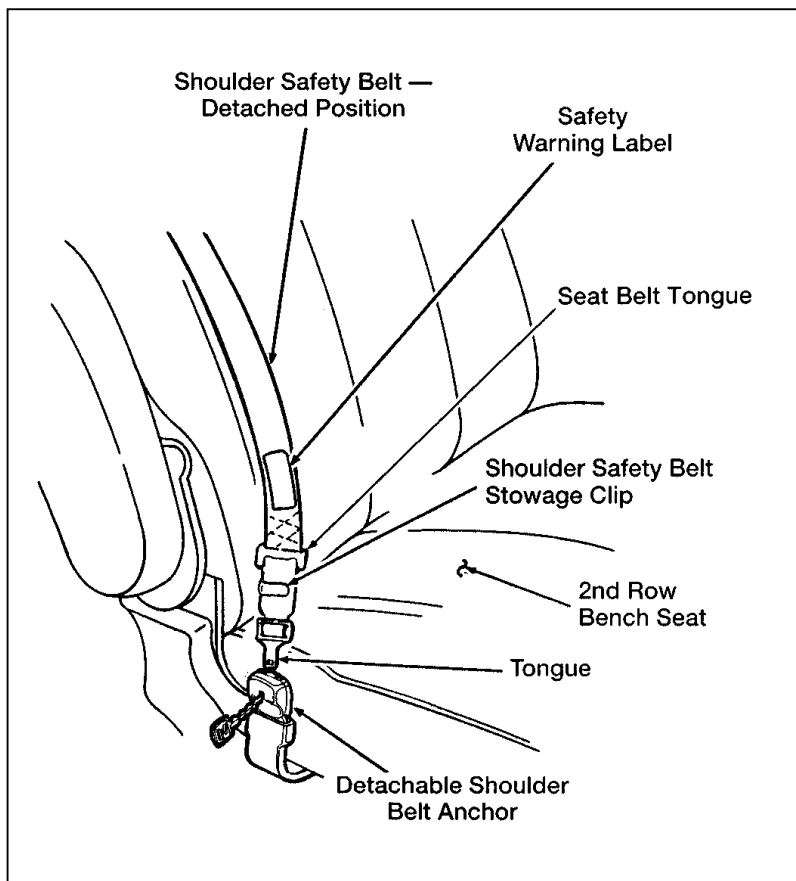


Figure 1: Second row bench seat detachable anchor

Seating and Safety Restraints

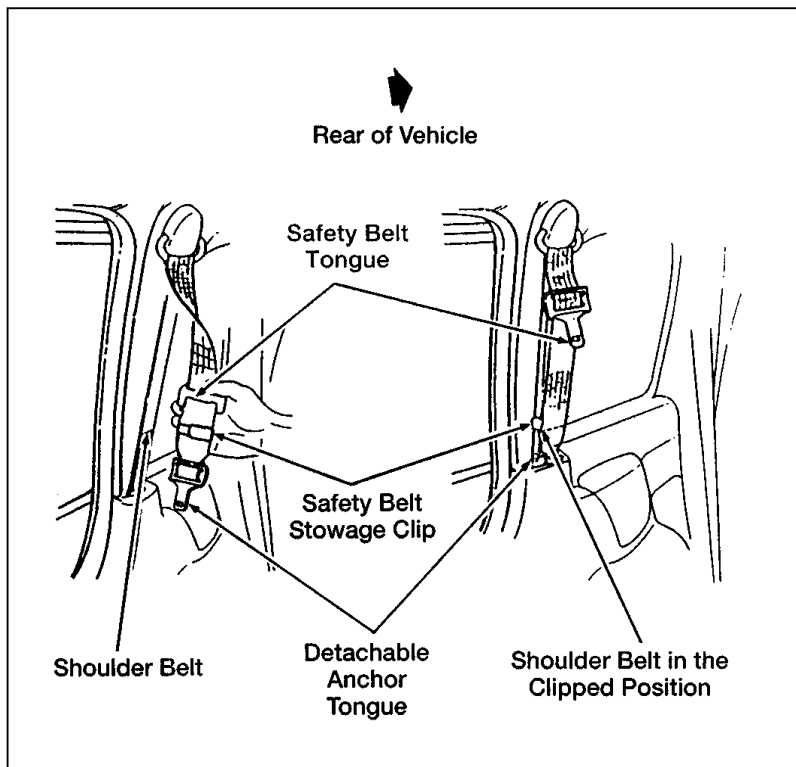


Figure 2: Securing the detachable shoulder belt

Refer to “Seats” in this section for information on removing and installing seats.

After re-installing the second row bench seat, make sure that the safety belt is not twisted before you insert it into the detachable anchor. A twisted safety belt may cause the retractor to work improperly. Then insert the detachable anchor tongue into the detachable anchor until you hear a “snap” and feel the latch engage.

 **WARNING**

When reinstalling a rear seat in your vehicle it must be placed in its original position. Improper installation of the seat will prevent correct use of the safety belts and could increase the risk of injury. Refer to the warning label on the seat belt.

Your vehicle is equipped with a dual locking mode retractor on the shoulder belt portion of the combination lap/shoulder safety belt for front passenger and rear seat window passengers.

Dual locking mode retractors operate in two ways:

Vehicle Sensitive (Emergency) Locking Mode

In this operating mode, the shoulder belt retractor will allow the occupant freedom of movement, locking tight only on hard braking, hard cornering or impacts of approximately five mph (8 km/h) or more.

Automatic Locking Mode

In this operating mode, the shoulder belt retractor will be automatically locked and remain locked when the combination lap/shoulder safety belt is buckled, and does not allow the occupant freedom of movement. This mode provides the following:

- A tight lap/shoulder belt fit on occupant
- Child seat or infant carrier restraint

Rear-facing infant seats should never be placed in the front seat.

This mode **must be used** when installing a child seat on the front passenger seat and rear window seats where dual locking retractors are provided.

Seating and Safety Restraints

To switch the retractor from the emergency locking mode to the automatic locking mode, perform the following steps:

1. Buckle the lap/shoulder combination belt.
2. Grasp the shoulder portion of the belt and pull downward until all of the belt is extracted, and when allowed to retract, a clicking sound will be heard. At this time, the belt retractor is in the automatic locking mode (child restraint mode).
3. A clicking sound will be heard as the belt is allowed to retract. This indicates that the retractor is in the automatic locking mode.

NOTE: When the combination lap/shoulder belt is unbuckled and allowed to retract completely, the retractor will switch back to the vehicle sensitive (emergency) locking mode. See detailed instructions under Safety Seats for Children later in this chapter.

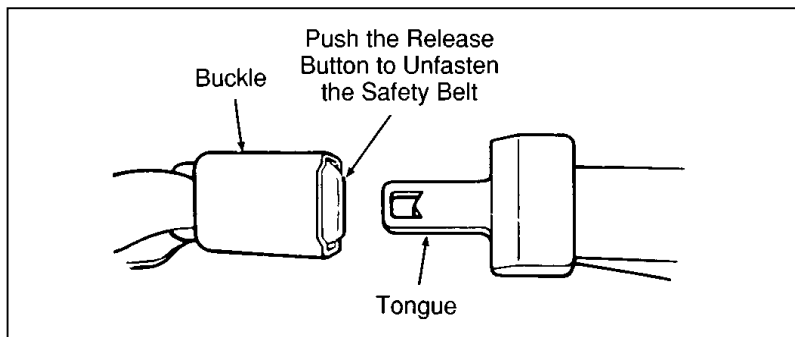
Lap Belts

The lap belt in the center of the rear seat does not adjust automatically. You must adjust it to fit snugly and as low as possible around your hips. Do not wear it around your waist.

If you need to lengthen the belt, unfasten it and tip the belt tongue at a right angle to the belt. Pull the belt tongue over your lap until it reaches the buckle.

If you need to shorten the belt, pull on the loose end of the webbing until the belt fits snugly.

To unfasten the belt, push the release button on the buckle.



Unfastening the lap belt in the center rear seating position

Safety Belt Maintenance

Check the safety belt systems periodically to make sure that they work properly and are not damaged.

All safety belt assemblies, including retractors, buckles, front seat belt buckle support assemblies (slide bar) (if so equipped), child safety seat tether bracket assemblies (if so equipped), and attaching hardware, should be inspected after any collision. Ford recommends that all safety belt assemblies used in vehicles involved in a collision be replaced. However, if the collision was minor and a qualified technician finds that the belts do not show damage and continue to operate properly, they do not need to be replaced. Safety belt assemblies not in use during a collision should also be inspected and replaced if either damage or improper operation is noted.

Safety Belt Extension Assembly

For some people, the safety belt may be too short even when it is fully extended. You can add about eight inches (20 cm) to the belt length with a safety belt extension assembly (part number 16611C22). Safety belt extensions are available at no cost from your dealer.

Seating and Safety Restraints

WARNING

Failure to follow these instructions will affect the performance of the safety belts and increase the risk of personal injury.

Air Bag Supplemental Restraint System (SRS)

The driver and right front passenger air bags are Supplemental Restraint Systems (SRS), provided at these seating positions in addition to the lap/shoulder belt, and are designed to supplement the protection provided to properly belted occupants in moderate to severe frontal collisions. The supplemental air bag system does not provide restraint to the lower body.

The Importance of Wearing Safety Belts

WARNING

All occupants of the vehicle, including the driver, should always wear their safety belts, even when an air bag Supplemental Restraint System is provided.

There are four very important reasons to use safety belts even with an air bag system. Use your safety belts to:

- help keep you in the proper position (away from the air bag) when it inflates
- reduce the risk of harm in rollover, side or rear impact collisions, because an air bag is not designed to inflate in such situations
- reduce the risk of harm in frontal collisions that are not severe enough to activate the supplemental air bag
- reduce the risk of being thrown from your vehicle

The Importance of Being Properly Seated

In a collision, the air bag must inflate extremely fast to help provide additional protection for you. In order to do this, the air bag must inflate with considerable force. If you are not seated in a normal riding position with your back against the seatback, the air bag may not protect you properly and could possibly hurt you as it inflates.

Your vehicle is equipped with a right front passenger air bag. Air bags deploy with great force, faster than the blink of an eye. Front passengers, especially children and small adults, must never sit on the front edge of the seat, stand near the glove compartment of the instrument panel, or lean over near the air bag cover when the vehicle is moving. All occupants should sit with their backs against the seatback, move the seat to the most rearward position if possible and use the safety belts. Children weighing less than 40 lbs. (18 kg) always should use child or infant seats.

 WARNING
--

<p>When installing forward-facing child seats in the front seat, always move the passenger seat as far back from the instrument panel as possible. Never install rear-facing child seats or rear-facing infant seats in the front seat.</p>
--

The force of the rapidly inflating passenger air bag could push the top of the rear-facing seat against the vehicle seatback, armrests or console. Rear-facing infant seats must always be secured in the rear seat.

Seating and Safety Restraints

WARNING

Do not place objects or mount equipment on or near the air bag cover that may come in contact with an inflating air bag. Failure to follow this instruction may increase the risk of personal injury in the event of a collision.

For further information about the proper mounting of equipment in the front seat of this vehicle, please refer to Ford's brochure entitled *Some Important Information About Air Bag Supplemental Restraint System* which can be obtained by calling Helm Inc. at 1-800-782-4356. Ask for brochure FPS-8602.

For additional important safety information on the proper use of seat belts, child seats, and infant seats, please read the other sections of this chapter of the Owner Guide, especially sections entitled *Safety Belts for Children* and *Safety Seats for Children*.

How Does the Air Bag Supplemental Restraint System Work?

The Air Bag Supplemental Restraint System consists of the driver and passenger air bags, impact sensors, a system diagnostic module, a readiness light and tone, and the electrical wiring which connects the components.

The driver air bag is in the center of the steering wheel and is indicated by the letters "SRS." The right front passenger seat air bag is in the upper right-hand section of the instrument panel ledge above the glove compartment. The letters "SRS" appear there. Both air bags are designed to stay out of sight until they are activated.

⚠ WARNING

Do not attempt to service, repair, or modify the Air Bag Supplemental Restraint System or its fuses. See your Ford or Lincoln-Mercury dealer.

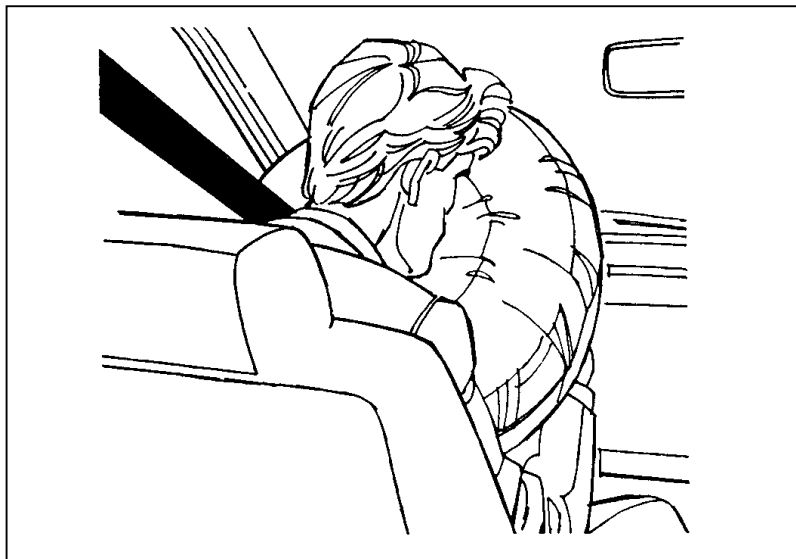
If a collision occurs, the sensors sense the severity of the impact and activates the air bags if necessary. The air bag system is designed to deploy in frontal and front-angled collisions more severe than hitting a parked vehicle (of similar size and weight) head-on at about 28 mph (45 km/h). Because the system senses the crash severity rather than vehicle speed, some frontal collisions at speeds above 28 mph (45 km/h) will not inflate the air bag.

When the sensors activate the system, the air bags inflate rapidly, filling with non-toxic nitrogen gas in a fraction of a second. Immediately after inflation, the air bags deflate by releasing the nitrogen gas through vent holes. The whole process takes place in a matter of seconds.

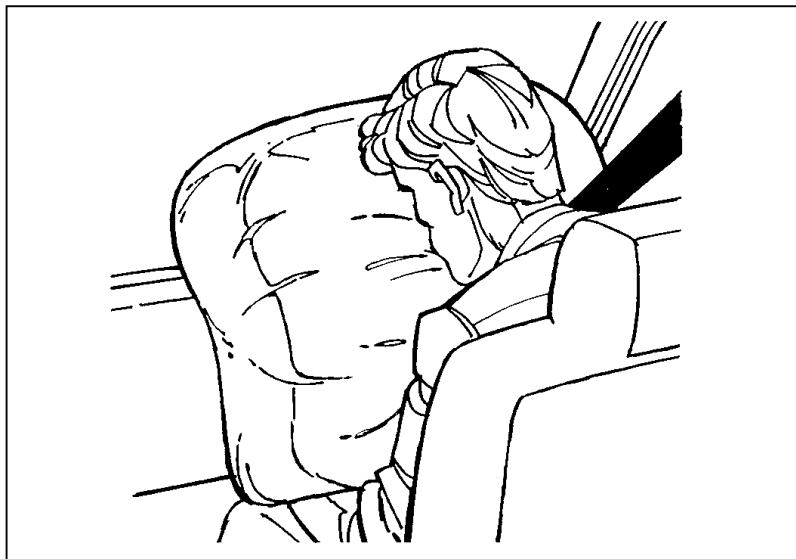
⚠ WARNING

Several air bag system components get hot after inflation. Do not touch them after inflation.

Seating and Safety Restraints



Inflated driver-side air bag



Inflated passenger-side air bag

⚠ WARNING

The air bag will inflate only once. The system is designed to function on a one-time-only basis. If the air bag is inflated, THE AIR BAG WILL NOT FUNCTION AGAIN AND MUST BE REPLACED IMMEDIATELY. If the air bag is not replaced, this will increase the risk of injury in a subsequent collision.

Seating and Safety Restraints

To ensure that the air bag system will operate as intended in a crash, the system is equipped with a diagnostic module, which controls a readiness lamp and a warning tone. The diagnostic module monitors its own circuits, the air bag electrical system, the air bag readiness light, the air bag power and the air bag inflators.

The air bag supplemental restraint system uses a readiness light and a tone to indicate the condition of the system. The readiness light is in the instrument cluster. When you turn the ignition key to ON, this light will illuminate for approximately six (6) seconds and then turn off. This indicates that the system is operating normally. **NOTE:** Maintenance of the air bag system is not required.

A problem with the system is indicated by one or more of the following:

- the readiness light will either flash or stay illuminated,
- or it will not illuminate immediately after ignition is turned on,
- a group of five beeps will be heard. The tone pattern will repeat periodically until the problem and light are repaired.

If any of these things happen, even intermittently, have the air bag system serviced at your Ford or Lincoln-Mercury dealer immediately.

Disposal of air bags and air bag equipped vehicles

For disposal of air bags or air bag equipped vehicles, see your local Ford or Lincoln-Mercury dealer. Air bags **MUST** be disposed of by qualified personnel.

Safety Restraints for Children

In the U.S. and Canada, you are required by law to use safety restraints for children. If small children ride in your vehicle — this generally includes children who are four years old or younger and who weigh 40 pounds (18 kg) or less — you must put them in safety seats that are made specially for children. Safety belts alone do not provide maximum protection for these children. Check your local and state laws for specific requirements.

 WARNING

Never let a passenger hold a child on his or her lap while the vehicle is moving. The passenger cannot protect the child from injury in a collision.

 WARNING

Cargo should always be secured to prevent it from shifting and causing damage to the vehicle or harm to passengers.

 WARNING

Carefully follow all of the manufacturer's instructions included with the safety seat you put in your vehicle. If you do not install and use the safety seat properly, the child may be injured in a sudden stop or collision.

Seating and Safety Restraints

WARNING

Do not leave children, unreliable adults, or pets unattended in your vehicle.

WARNING

Safety belts and seats can become hot in a vehicle that has been closed up in sunny weather; they could burn a small child. Check seat covers and buckles before you place a child anywhere near them.

When possible, put children in the rear seat of your vehicle. Accident statistics suggest that children are safer when properly restrained in the rear seating positions than in the front seating positions.

Built-In Child Seat (If equipped)

The second row bench seat may include two optional built-in child safety seats (one on the driver side and one on the passenger side). This child restraint is to be used **only** by children who are at least one year old, weigh between 10 and 27 kilograms (22 and 60 pounds) and whose shoulders (top) are below the bottom of the headrest in the **full up** position.

If your child is less than one year old or weighs less than 10 kilograms (22 pounds), **always** use a rear facing infant or convertible seat because a child of that size is not sufficiently developed to withstand crash forces in a front facing position. Follow the specific manufacturer's instructions for weight and height restrictions.

⚠ WARNING

Always latch the vehicle seat to the floor, whether the seat is occupied or empty. If not latched, the seat may cause injury during a sudden stop.

Children must be properly buckled before riding in the vehicle. It is the law in every state and province. This child seat conforms to all Federal/Canadian motor vehicle safety standards.

Built-in child seat belt retractors

The belts on the built-in child seat are equipped with a retractor that locks when both belt tongues are latched into the crotch safety belt buckle.

The retractor will switch from the emergency locking mode to the automatic locking mode when the shoulder belts are pulled all the way out. The retractor will switch back to emergency locking mode when the belts are unbuckled and the shoulder belts retract completely.

The automatic locking mode must be used to hold small children in position, particularly sleeping children and those who may try to squirm out of the belts. The emergency locking mode is also used while buckling the belts.

Frequently check the child seat's lap and shoulder harness belts for correct placement and tightness. Use the child seat only if the harness belts will stay snug when belts are placed into the lock mode with a child in the seat. If belts do not remain snug, take the vehicle to the dealer for child seat repair.

Always adjust the lap and shoulder harness belts provided with this child seat snugly around your child.

Seating and Safety Restraints

⚠️ WARNING

Do not leave children, unreliable adults, or pets unattended in your vehicle.

⚠️ WARNING

Safety belts and seats can become hot in a vehicle that has been closed up in sunny weather; they could burn a small child. Check seat covers and buckles before you place a child anywhere near them.

⚠️ WARNING

Failure to follow all of the instructions on the use of this child restraint system can result in your child striking the vehicle's interior during a sudden stop or crash.

How to use the Built-In Child Seat

Read the following procedures and all of the labels on the Built-In Child Seat before using the seat.

⚠️ WARNING

Never use the Built-In Child Seat as a booster cushion with the adult safety belts. A child using the adult belts could slide forward and out from under the safety belts.

-
1. Ensure head restraint is in the down position, then pull child seat down completely. Refer to Figure 1. The child seat can only be folded down when the head restraint is in the down position. The head restraint cannot be raised when the child seat is folded down.

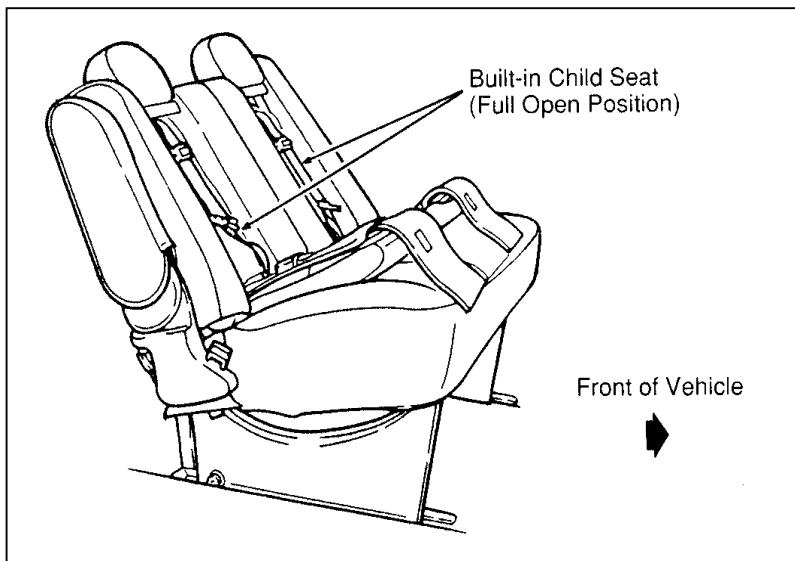


Figure 1: Built-in child seat fully open

Seating and Safety Restraints

2. Read the information and warnings on the child seat cushion protector flap and shoulder safety belt. Refer to Figure 2. Check the child's size, weight and age to be sure the child is not too small or too large for the child seat. Then fold the flap down onto the adult seat cushion.

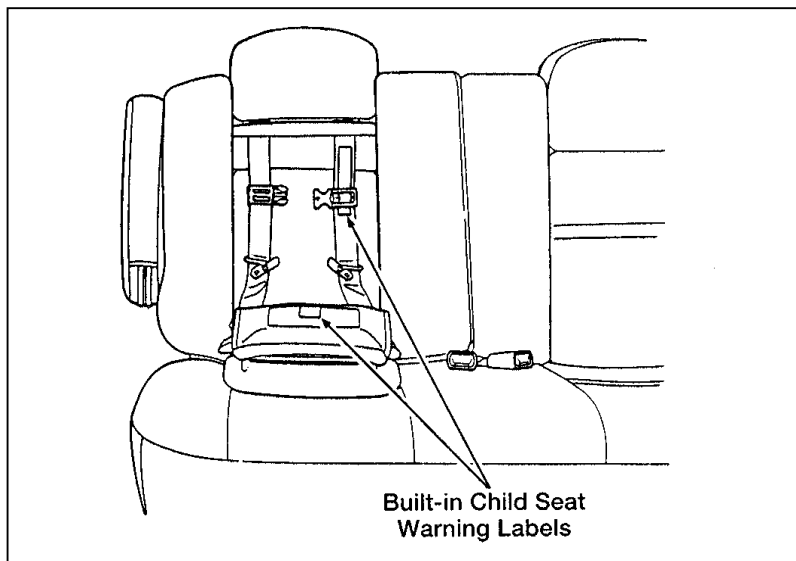


Figure 2: Child seat information and warnings

3. If connected, squeeze the top and the bottom of the right half of the chest clip and pull to separate both halves.

-
4. Place the child on the child seat and position the shoulder belts over each shoulder. Refer to Figure 3.

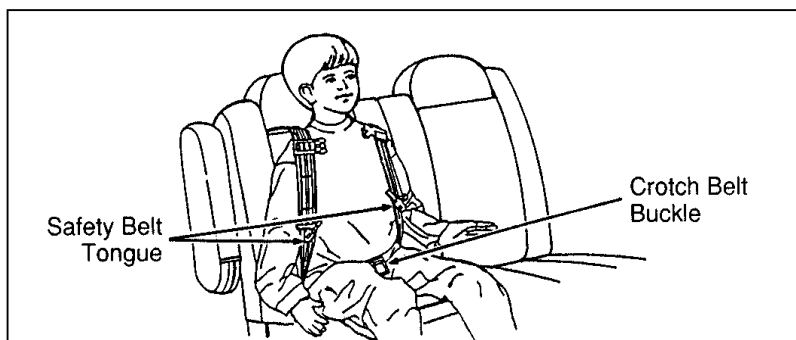


Figure 3: Shoulder safety belt placement on the child

NOTE: Read the following steps carefully to become familiar with the indicator windows located on each safety belt tongue and the chest clip. When either of the tongues or the chest clip is unbuckled, the color red appears in the window. When the tongues or chest clip are securely buckled, the color green appears.

Seating and Safety Restraints

5. Insert either the left or right safety belt tongue into the single opening of the crotch safety belt buckle as shown in Figure 4. (It does not matter which tongue is inserted first.) Then insert the other tongue. The color green must appear in the indicator window on each tongue when buckled.

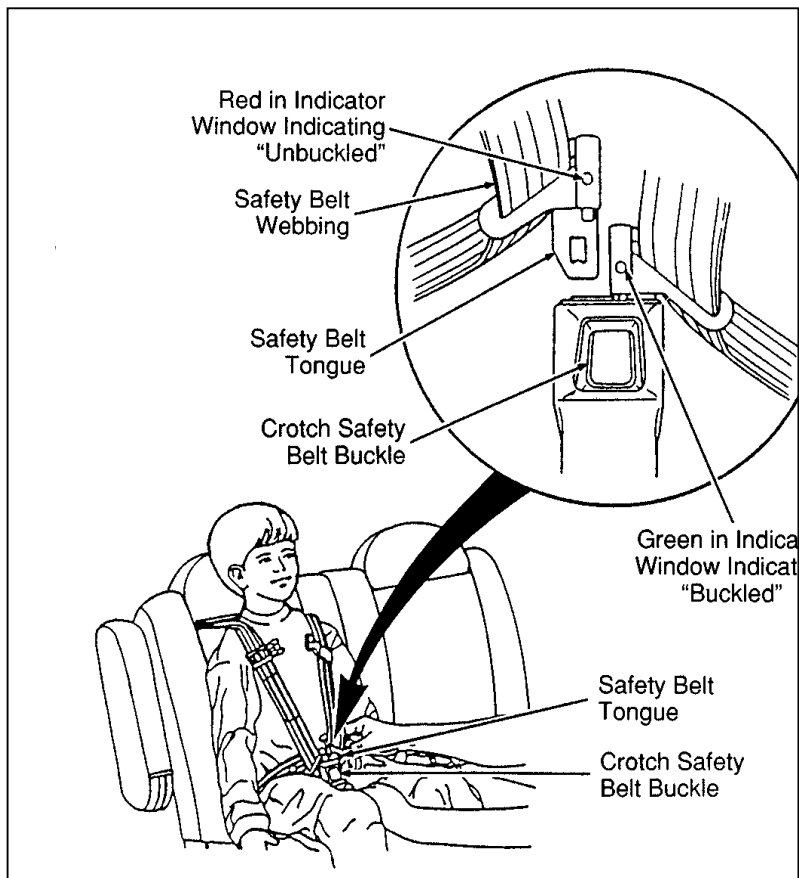


Figure 4: Fastening the crotch safety belt buckle

-
6. Fasten both halves of the chest clip below the child's shoulders and adjust it to comfortably hold the shoulder belts in place on the child's chest. The color green must appear in the indicator window when fastened. (The purpose of this clip is to position the shoulder belts correctly on the child's shoulders.) Refer to Figure 5.

 **WARNING**

If both tongues do not latch in the buckle, do not use the child seat. See your dealer for repairs.

Seating and Safety Restraints

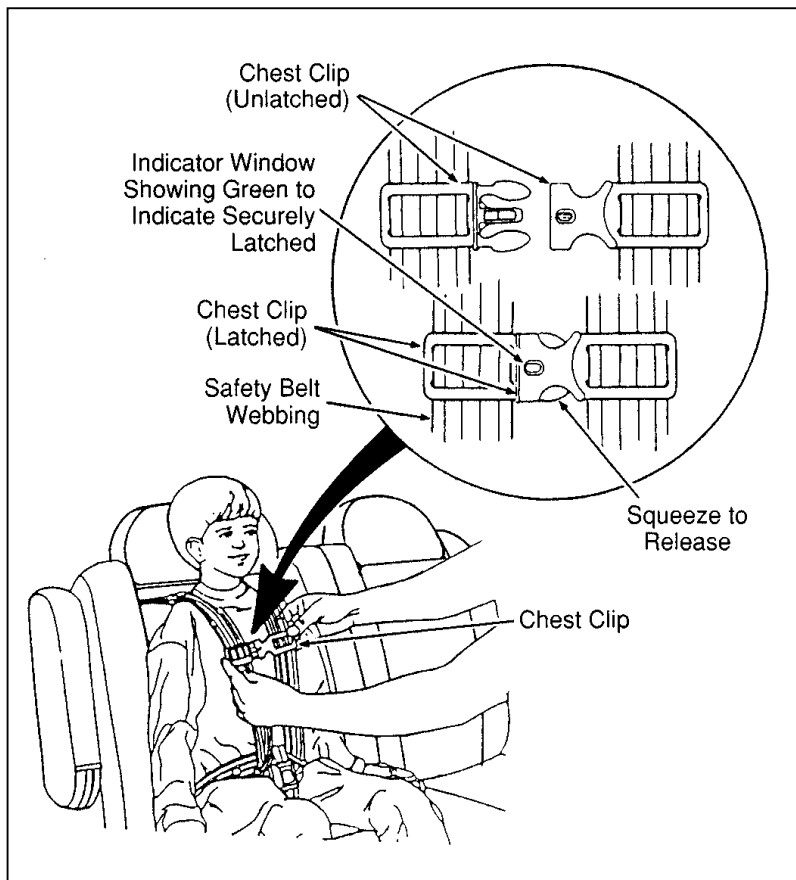


Figure 5: Securing the chest clip

-
7. Pull the shoulder belts out to ensure that the crotch safety belt buckle and chest clip are securely fastened. Refer to Figure 6.

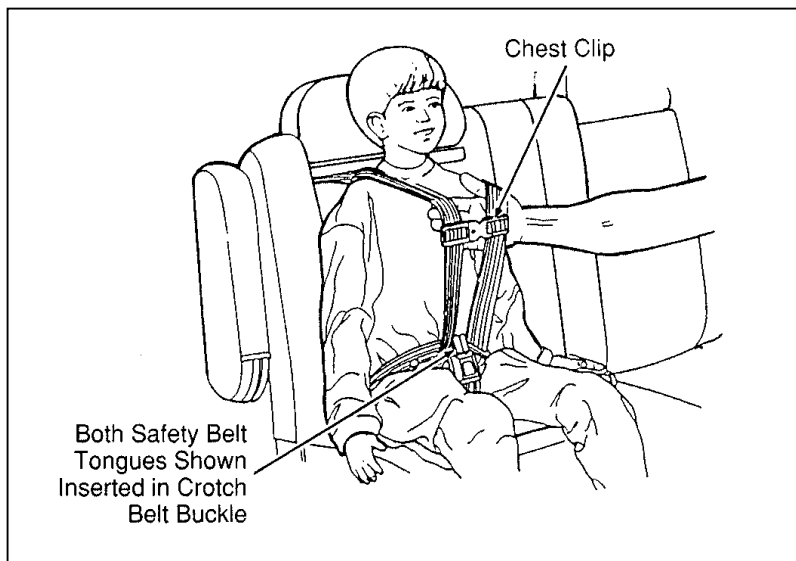


Figure 6: Checking for securely latched buckle and chest clip

8. Pull left shoulder belt fully out to put the retractor into the lock mode. Allow belts to retract and fit snugly. The purpose of the lock mode is to prevent the child from getting out of the seat while the vehicle is in operation and to hold a sleeping child in position. The belts will lock automatically during a collision or hard braking.

Seating and Safety Restraints

To remove the child from the built-in child seat:

1. Open the chest clip. Refer back to Figure 5.
2. Press the release button on the crotch safety belt buckle.
3. Slide the shoulder belts off the child's shoulders and remove the child. Refer back to Figure 3.

To fold up the child seat:

1. Fold the protector flap onto the child seat cushion.
2. Push the built-in child seat up ensuring the wire handle on the bottom of the child seat engages into the slot under the head restraint.
3. Ensure child seat is fully engaged into seatback. Refer to Figure 7.

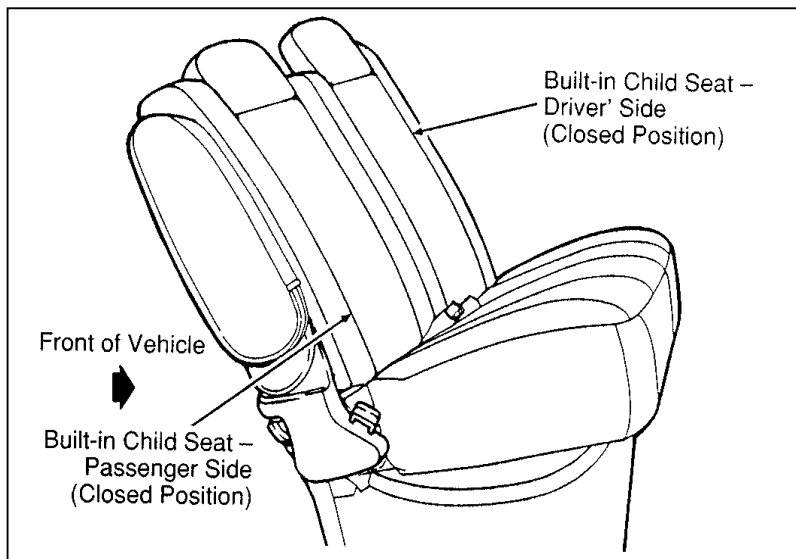


Figure 7: Built-in child seat fully closed

Inspection after a collision

 WARNING
--

<p>All built-in child restraints, including seats, buckles, retractors, seat latches, interlocks, and attaching hardware should be inspected by a qualified dealer technician after any collision.</p>

If the child seat was in use during a collision, Ford recommends replacing it. However, if the collision was minor and a qualified technician finds that the child restraints do not show damage and continue to operate properly, they do not need to be replaced. If there is any bending of the vehicle seatback or seat structure, it should also be replaced. Built-in child seats not in use during a collision should also be inspected and replaced if either damage or improper operation is noted.

Built-in child seat maintenance

Regularly inspect the lap and shoulder belts system of your child seat. See your Ford Dealer if the shoulder belt webbing is frayed, or if the buckle and tongue are damaged and/or do not function properly.

Safety Belts for Children

Children who are too large for child safety seats should always wear safety belts. (See instructions with your child seat, or contact its manufacturer, to determine maximum size of child that will safely fit in the seat.)

 WARNING
--

<p>If safety belts are not properly worn and adjusted as described, the risk of serious injury to the child in a collision will be much greater.</p>

Seating and Safety Restraints

If the shoulder belt portion of one of the lap and shoulder belts can be positioned so that it does not cross or rest in front of the child's face or neck, the child should wear the lap and shoulder belt. Moving the child closer to the center of the vehicle may help provide a good shoulder belt fit.

Lap belts and the lap belt portion of lap and shoulder belts should always be worn snugly and below the hips, touching the child's thighs.

 WARNING
--

<p>Children should always ride with the seatback in the fully upright position.</p>
--

Safety Seats for Children

Use a safety seat that is recommended for the size and weight of the child. Always follow the safety seat manufacturer's instructions when installing and using the safety seat.

Ford recommends the use of a child safety seat having a top tether strap. Install the child safety seat in a seating position which is capable of providing a tether anchorage. For more information on top tether straps see *Attaching Safety Seats With Tether Straps* in this chapter.

When installing a child safety seat, be sure to use the correct safety belt buckle for that seating position, and make sure the tongue is securely fastened in the buckle. For a shoulder/lap belt combination with a sliding tongue, make sure the retractor is in the automatic locking mode.

In rear-facing infant seats, the infant's head is closer to the passenger air bag. The force of the rapidly inflating air bag could push the top of the rear-facing seat against the vehicle seatback. REAR-FACING INFANT SEATS MUST ALWAYS BE SECURED IN THE REAR SEAT, and other child seats and

infant seats should be secured in the rear seat whenever possible. Forward-facing child seats used in the front seat must have the passenger seat moved as far back from the instrument panel as possible.

Your vehicle is equipped with a right front passenger air bag. Air bags deploy with great force, faster than the blink of an eye. Front passengers, especially children and small adults, must never sit on the front edge of the seat, stand near the glove compartment of the instrument panel, or lean over near the air bag cover when the vehicle is moving. All occupants should sit with their backs against the seatback, move the seat to the most rearward position if possible and use the safety belts. Children weighing less than 40 lbs. (18 kg) always should use child or infant seats.

 **WARNING**

When installing forward-facing child seats in the front seat, always move the passenger seat as far back from the instrument panel as possible. Never install rear-facing child seats or rear-facing infant seats in the front seat.

The force of the rapidly inflating passenger air bag could push the top of the rear-facing seat against the vehicle seatback, armrests or console. Rear-facing infant seats must always be secured in the rear seat.

All child restraint systems are designed to be secured in vehicle seats by lap belts or by the lap portion of a lap-shoulder belt.

 **WARNING**

If you do not properly secure the safety seat, the child occupying the seat may be injured during a collision or sudden stop. An unsecured safety seat could also injure other passengers.

Seating and Safety Restraints

WARNING

Carefully follow all of the manufacturer's instructions included with the safety seat you put in your vehicle. If you do not install and use the safety seat properly, the child may be injured in a sudden stop or collision.

WARNING

Always keep the buckle release button pointing upward and away from the child seat, with the tongue between the child seat and the release button as shown in the following illustration.

Installing Child Safety Seats in the Front Seat and Rear Window Passenger Seating Positions

Your vehicle is equipped with a dual locking mode retractor on the shoulder belt portion of the combination lap/shoulder safety belt for the front seat passenger and for the rear window passengers.

If you choose to install a forward-facing child seat or infant carrier in the front seating positions, move the seat as far back as possible.

For seating positions equipped with a dual-locking mode retractor, use the following procedure:

1. Position the child seat in the center of passenger seat.
2. Pull down on shoulder belt, then grasp shoulder belt and lap belt together. See Figure 1.

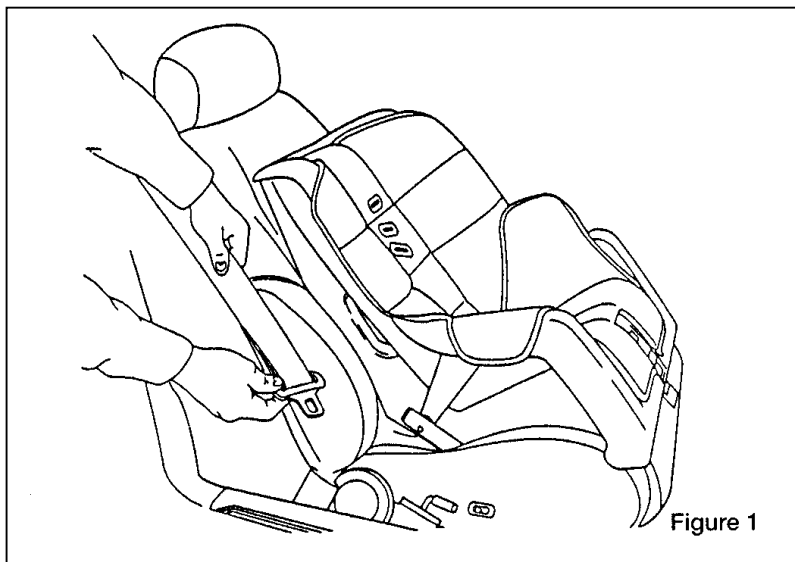


Figure 1

Seating and Safety Restraints

3. While holding the shoulder and lap belt portions together, route the tongue through the child seat according to the child seat manufacturer's instructions. See Figure 2. Be sure that the belt webbing is not twisted.

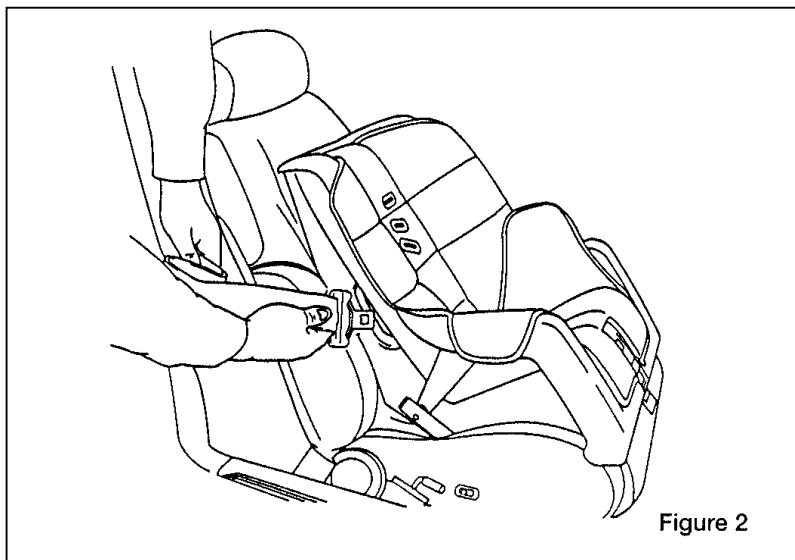
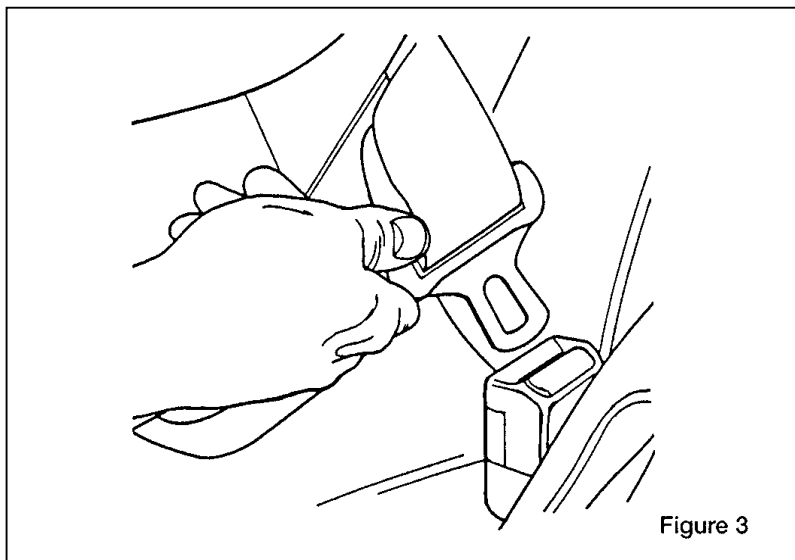


Figure 2

Routing the lap/shoulder belt

-
4. Insert the belt into the proper buckle for that seating position until you hear and feel the latch engage. See Figure 3. Make sure the tongue is latched securely to buckle by pulling on the tongue.



Buckling the belt

5. Grasp the shoulder portion of the belt and pull downward until all of the belt is extracted and a click is heard. At this time, the retractor is in the automatic locking mode (child restraint mode). See Figure 4.

NOTE: The dual-locking mode retractor must be in the automatic locking mode to properly restrain a child seat.

Seating and Safety Restraints

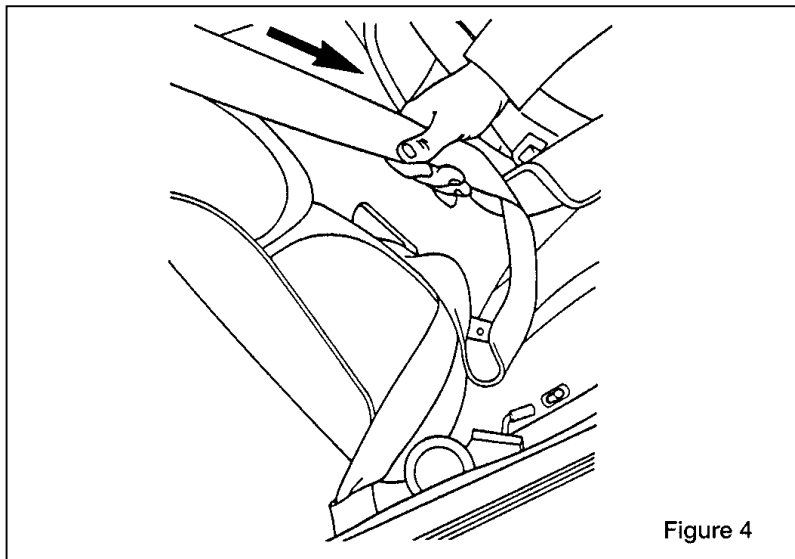
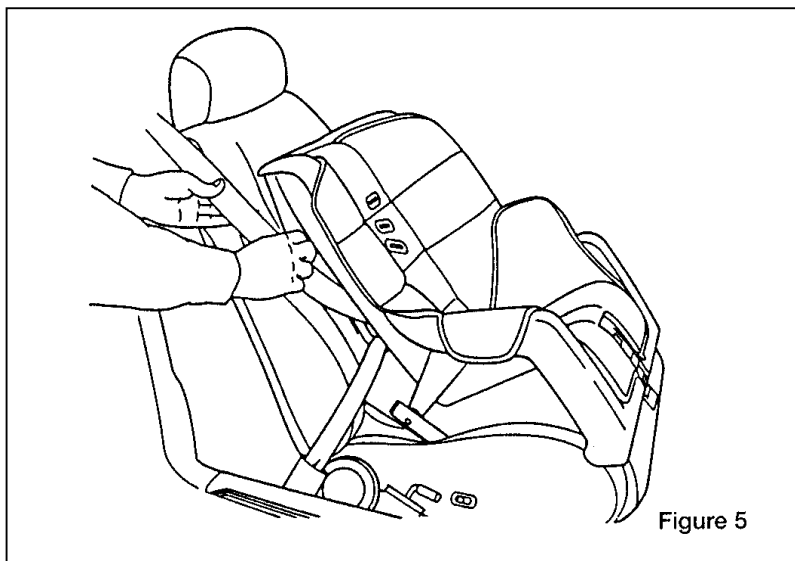


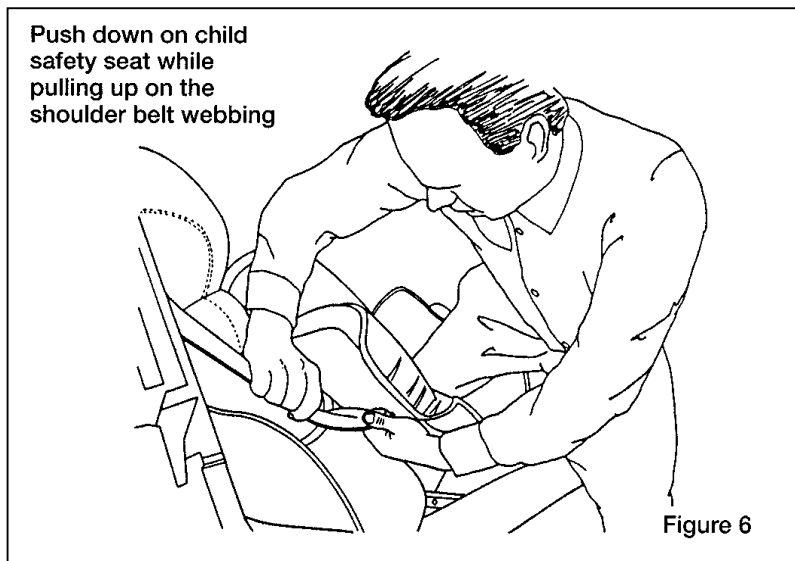
Figure 4

Setting the retractor to automatic locking mode

6. Allow the belt to retract. A clicking sound will be heard as the belt retracts. This indicates the retractor is in the automatic locking mode. Pull on the lap belt portion across the child seat towards the buckle and continue to pull up on the shoulder belt portion while pushing down on the child seat allowing the shoulder belt to retract, to remove any slack in seat belt. See Figures 5 and 6.



Seating and Safety Restraints



7. Before placing the child into the child seat, forcibly tilt the seat from side to side and in forward directions to make sure that the seat is securely held in place. See Figure 7.

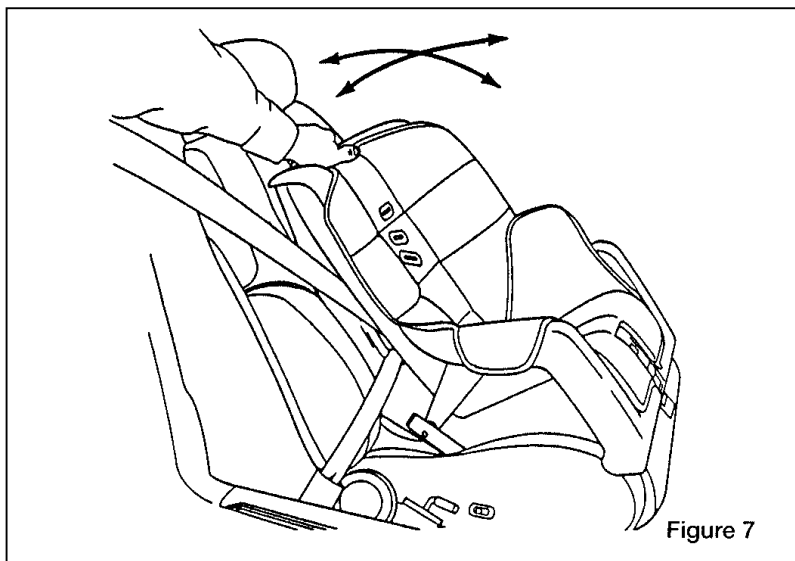
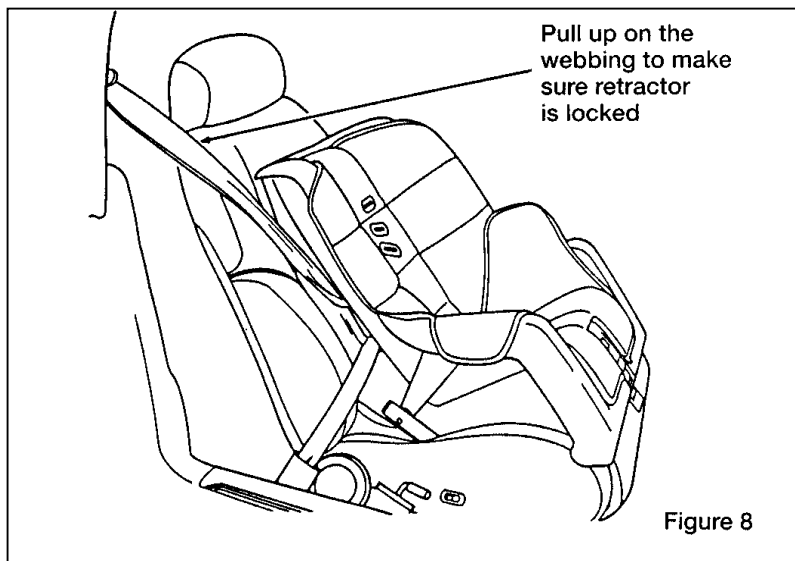


Figure 7

Checking that the seat is secure

Seating and Safety Restraints

8. Double check the retractor is in the automatic locking mode. Try to pull more belt out of the retractor. If you cannot, the belt is in the automatic locking mode. See Figure 8.



Checking the retractor

9. Check to make sure that the seat is properly secured prior to each use. If the retractor is not locked, repeat steps 5 through 8.

NOTE: To remove retractor from the automatic lock mode, allow seat belt to retract fully to its stowed position and the retractor will automatically switch back to the vehicle sensitive locking mode for normal adult usage.

Installing a Child Safety Seat at the Center Seating Position with Locking Adjustable Lap Belt

1. Lengthen the lap belt. To lengthen the belt, hold the tongue so that its bottom is perpendicular to the direction of webbing while sliding the tongue up the webbing.
2. Place the child safety seat in the center seating position.
3. Route the tongue and webbing through the child seat according to the child seat manufacturer's instructions.
4. Insert the belt tongue into the proper buckle for the center seating position until you hear a snap and feel it latch. Make sure the tongue is securely fastened to the buckle by pulling on tongue.
5. Push down on the child seat while pulling on the loose end of the lap belt webbing to tighten the belt.
6. Before placing the child into the child seat, forcibly tilt the child seat from side to side and in forward directions to ensure that the seat is held securely in place. If the child seat moves excessively, repeat steps 5 through 6 or properly install the child seat in a different seating position.

Seating and Safety Restraints

Attaching Safety Seats With Tether Straps

Some manufacturers make safety seats that include a tether strap that goes over the back of the vehicle seat and attaches to an anchoring point. Other manufacturers offer the tether strap as an accessory. Contact the manufacturer of your child safety seat for information about ordering a tether strap.

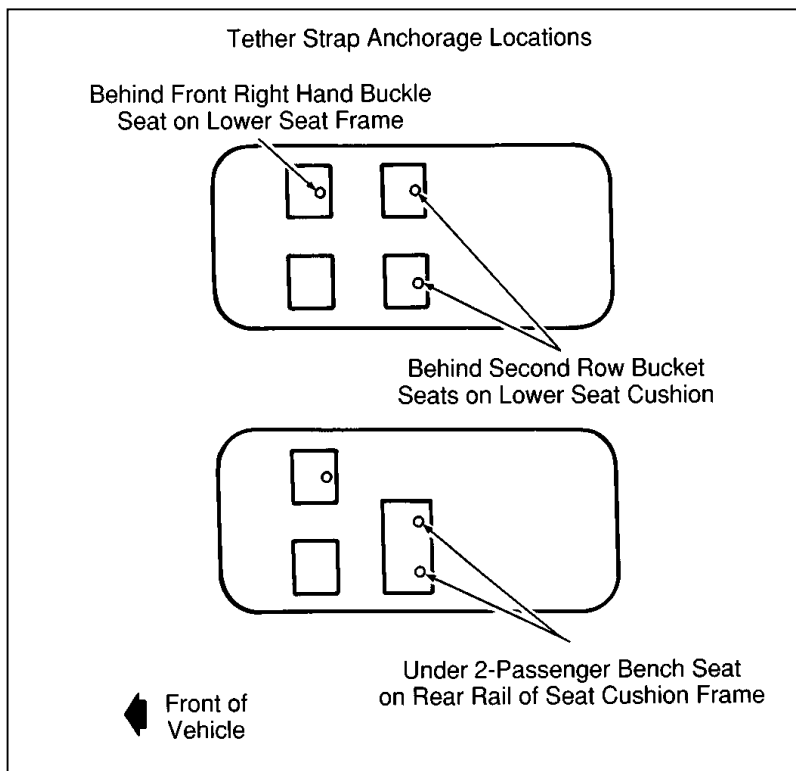
You can attach a tether strap to the front passenger or second row seats by using the built-in tether anchors provided on the back of the seats as described below.

Follow the child seat manufacturer's instructions to attach the tether strap to the tether anchor.

 WARNING
--

<p>Use only the tether attachment locations shown below. The tether anchor may not perform properly if the wrong mounting location is used.</p>
--

Three tether strap anchor locations have been provided in your vehicle. They are as follows:



Tether strap anchor locations

Seating and Safety Restraints

- **FRONT PASSENGER SEATING POSITION** — You must use the tether strap anchor location provided on the back of the seat cushion frame. (Refer to Figure 1.)

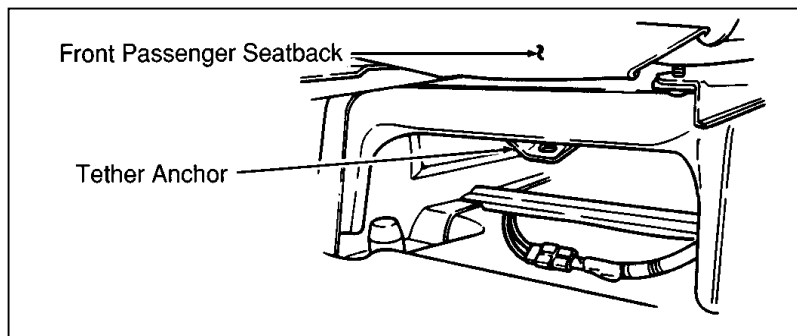


Figure 1: Tether anchor location — Front passenger seat

- **SECOND ROW BENCH (if equipped) SEATING POSITION** — You must use one of the two tether strap anchor locations (one each side) provided on the back of the seat cushion frame. (Refer to Figures 2 and 3.)

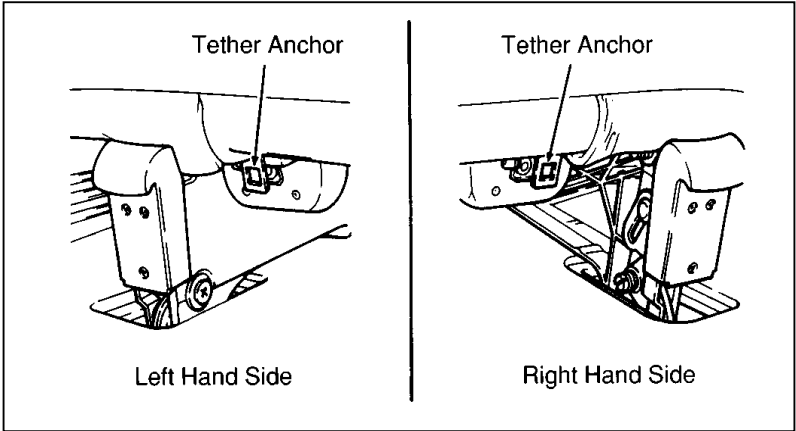


Figure 2: Tether anchor location — second row bench seat (with built-in child safety seat)

Seating and Safety Restraints

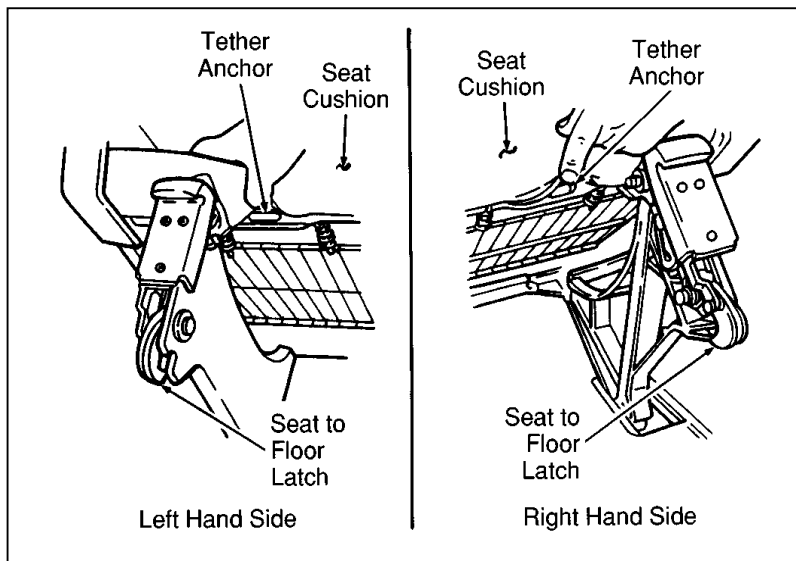


Figure 3: Tether anchor location — second row bench seat (without built-in child safety seat)

-
- **SECOND ROW BUCKET (if equipped) SEATING POSITION**
— You must use the tether strap anchor location provided on the back of the seat cushion. (Refer to Figure 4.)

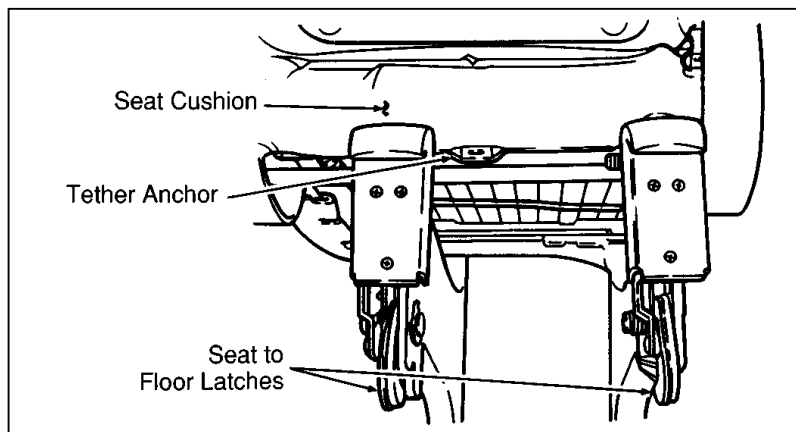


Figure 4: Tether anchor location — second row bucket seat

⚠ WARNING

Only use the tether attachment hole locations shown in the illustrations. The tether anchor may not perform properly if the wrong mounting location is used.

Once you have attached the safety seat, test the seat before you place the child in it. Tilt the seat from side to side. Also try to tug the seat forward. Check to see if the belt holds the seat in place.

⚠ WARNING

If the safety seat is not anchored properly, the risk of a child being injured in a collision or sudden stop greatly increases.

Fuel-Injected Engines

Since your vehicle has a fuel-injected engine, **the most important thing to remember is to avoid pressing down on the accelerator** while cranking the engine to start. Only use the accelerator when you have problems getting your vehicle started.

Preparing to Start Your Vehicle

 WARNING
--

<p>Do not start your vehicle in a closed garage or in other enclosed areas. Exhaust fumes can be toxic. Always open the garage door before you start the engine.</p>

Before you start your vehicle, always:

1. Make sure you and all your passengers buckle your safety belts. See *Safety belts* in the Index for more details.
2. Make sure the headlamps and other accessories are turned off when starting.
3. Make sure that the gearshift lever is in Park (P) and the parking brake is set before you turn the key.

Before you start your vehicle, you should test the warning lights on the instrument cluster to make sure that they work. Refer to the *Instrumentation* chapter.

Starting the Engine

To start the engine:

1. Follow the steps under *Preparing to Start Your Vehicle*.
2. Keep your foot on the brake pedal and turn the ignition key to ON.

-
3. DO NOT depress the accelerator pedal when starting your engine. DO NOT use the accelerator until after the engine is running and you are ready to drive away.
 4. Turn the key to the START position until the engine starts. (Release the key after the engine has started and it will return to the ON position.)

If you have difficulty in turning the key, rotate the steering wheel slightly to relieve any binding.

For a cold engine:

- At temperatures **10°F (-12°C) and below**: If the engine does not start in **fifteen (15) seconds** on the first try, turn the key to OFF, wait approximately ten (10) seconds so you do not flood the engine, then try again.
- At temperatures **above 10°F (-12°C)**: If the engine does not start in **five (5) seconds** on the first try, turn the key to OFF, wait approximately ten (10) seconds so you do not flood the engine, then try again.

For a warm engine:

- Do not hold the key in the START position for more than **five (5) seconds** at a time. If the engine does not start within five (5) seconds on the first try, turn the key to the OFF position. Wait a few seconds after the starter stops, then try again.

Whenever you start your vehicle, release the key as soon as the engine starts. Excessive cranking could damage the starter.

After you start the engine, let it idle for a few seconds. **Keep your foot on the brake pedal and place the gearshift lever in gear. Release the parking brake, put the gearshift lever in gear, slowly release the brake pedal and drive away in the normal manner.**

NOTE: Your vehicle has an interlock that prevents you from shifting out of P (Park) unless your foot is on the brake pedal.

If the engine still does not start after two attempts:

1. Turn the key to the OFF position and wait about two minutes.
2. Press the accelerator all the way to the floor and hold it.
3. Turn the key to the START position.
4. Release the key when the engine starts.
5. Release the accelerator gradually as the engine speeds up.

If the engine still does not start, the fuel pump shut-off switch may have been activated. For directions on how to reset the switch see *Fuel Pump Shut-Off Switch* in the index.

A computer system controls the engine's idle rpm. When you start your vehicle, the engine's idling rpm normally runs high. These faster engine speeds will make your vehicle move slightly faster than when the engine is at its normal warm engine idle speed. It should, however, slow down when the vehicle warms up. If it does not, have the idle rpm checked.

 WARNING

<p>Do not park, idle, or drive your vehicle in dry grass or other dry ground cover. The emission system heats up the engine compartment and exhaust system, which can start a fire.</p>
--

Using the Engine Block Heater (If equipped)

Using your engine block heater is strongly recommended if you live in a region where temperatures consistently reach -20°F (-29°C) or below during the winter months. An engine block heater warms the engine coolant which improves starting, warms up the engine faster, and allows the heater-defrost system to respond more quickly.

 WARNING
--

To prevent electrical shock, do not use your heater with ungrounded electrical systems or two-pronged (cheater) adapters.
--

For best results, plug the heater in at least three hours before you start your vehicle. Using the heater for longer than three hours will not damage the engine, so you can leave it plugged in all night to start your vehicle the following morning.

Guarding Against Exhaust Fumes

Carbon monoxide, although colorless and odorless, is present in exhaust fumes.

 WARNING
--

Do not start your vehicle in a closed garage or in other enclosed areas. Exhaust fumes can be toxic. Always open the garage door before you start the engine.
--

 WARNING
--

If you ever smell exhaust fumes of any kind inside your vehicle, have your dealer inspect and fix your vehicle immediately. Do not drive if you smell exhaust fumes. These fumes are harmful and could kill you.

Have the exhaust and body ventilation systems checked by a qualified technician whenever:

- your vehicle is raised for service
- the sound of the exhaust system changes
- your vehicle has been damaged in an accident

If the exhaust system has any indications of leaks it should be repaired immediately.

Improve your ventilation by keeping all air intake vents clear of snow, leaves, and other objects.

If the engine idles while you are stopped in an open area for long periods of time, open the windows at least one inch. Also, adjust the heating or air conditioning to bring in outside air.

Read the section *Climate Control Systems* for instructions on bringing fresh outside air into your vehicle. Refer to the Index.

Brakes

When the foot (service) brake pedal is depressed, the high-mount brake lamp should illuminate.

Front Disc Brakes

The front disc brakes are self-adjusting. They only require periodic inspection for pad wear.

Rear Disc Brakes (If equipped)

The rear disc brakes are self-adjusting. They only require periodic inspection for pad wear.

The rear disc parking brakes need to be adjusted manually.

Rear Drum Brakes

The rear drum brakes are self-adjusting. Automatic adjustment occurs through normal use of the brakes.

Four-Wheel Anti-lock Brakes

The Anti-lock Brake System (ABS) prevents wheels from completely locking up by automatically releasing and re-applying the brakes. During ABS braking, slight brake pedal pulsations may be felt on the driver's foot. These pulsations represent the rapid cycling of the ABS valves. The pedal pulsations are considered normal ABS operation, and will stop when normal braking is resumed or when the vehicle comes to a stop.

During ABS activation, a mechanical noise may be heard as the ABS cycles. This is normal ABS operation.

The ABS has self-check capabilities. The system turns on the ABS warning light each time you start the engine. After the engine is started and the ABS warning light turns off, the system performs another test the first time the vehicle reaches

4 mph (6 km/h). A mechanical noise may be heard as the ABS performs a self test. This is a normal part of the self test feature. If a malfunction is found during this check, the ABS warning light will come on.



The anti-lock brake system light

You should always be careful when braking, even if your vehicle has the ABS. Heavy braking on roads with loose surfaces such as snow or gravel, or roads with severe pavement irregularities could also cause you to lose control of your vehicle.

 **WARNING**

If the anti-lock brake system warning light remains on or comes on while driving, have the braking system checked by a qualified service technician as soon as possible.

NOTE: If a fault occurs in the anti-lock system, and the brake warning light is not lit, the anti-lock system is disabled but normal brake function remains operational.

Ford Motor Company has not found any negative effects of mobile radio transmitting equipment installed on vehicles with the ABS system providing that the radio is installed according to the radio manufacturer's instructions. However, if you have had a mobile radio transmitter installed and the ABS light comes on (at any time other than immediately after turning the

key to the ON position) have your mobile radio dealer inspect the radio installation. Also, if the ABS system is activated other than during maximum braking, have your mobile radio installation checked.

If Brakes Do Not Grip Well or Pedal is “Low”

If the brake pedal seems “low” it may indicate the need for a brake system inspection and/or service. Apply your parking brake several times. If the condition has not improved, you should have your brakes checked as soon as possible.

Occasional brake squeal during light to moderate stops does not affect the function of the brake system and is normal. However, if the squeal becomes very loud or if it becomes more frequent, return the vehicle to your dealer for inspection.

 WARNING
Modifications to the suspension spring rates and/or vehicle ride height may adversely affect vehicle stopping ability.

Stopping Distances

Stopping distances vary with different loads and driving conditions. Use caution when you drive under new conditions and acquaint yourself with your vehicle’s performance.

Applying the Brakes

Apply the brake pedal evenly. Use the “squeeze” technique. Push on the brake pedal with a steadily increasing force. This allows the wheels to continue to roll while you are slowing down, which lets you steer properly.

Do not drive with your foot resting on the brake pedal. This will increase your vehicle’s stopping distance and may also cause brake damage.

⚠ WARNING

If you are driving down a long or steep hill, shift to a lower gear. Do not apply your brakes continuously, as they may overheat and become less effective.

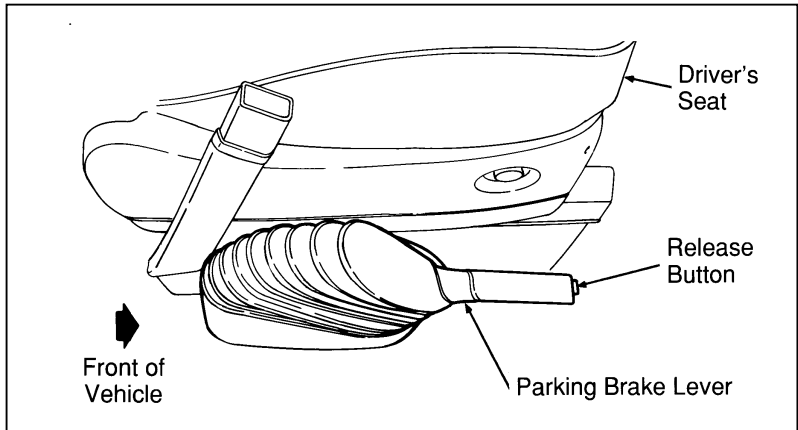
Using the Parking Brake

The parking brake should be used whenever you park your vehicle.

The parking brake is a hand operated lever located on the floor of your vehicle just to the right of the driver's seat.

To set the parking brake while parking your vehicle, press the brake pedal with your right foot and hold it while you fully apply the parking brake lever.

To release the parking brake, press the brake pedal with your right foot, pull up the lever while depressing the release button on the parking brake lever then lower the lever all the way to the floor.



The parking brake

⚠️ WARNING

Always set the parking brake fully and make sure the gearshift is latched in P (Park). Turn off the ignition whenever you leave your vehicle.

⚠️ WARNING

If the parking brake is fully released, but the Brake System light remains on, check brake fluid level, then have the brakes checked immediately. They may not be working properly.

The parking brake is not designed to stop a moving vehicle, but you can use the parking brake to stop your vehicle in an emergency if the service brakes fail. However, since the parking brake does not stop your vehicle as quickly as the normal brakes, the stopping distance will increase greatly.

Steering Your Vehicle

Your vehicle has power steering. Power steering uses energy from the engine to help steer your vehicle.

Never hold the steering wheel in the extreme right or left position for more than five seconds if the engine is running. This can damage the power steering pump.

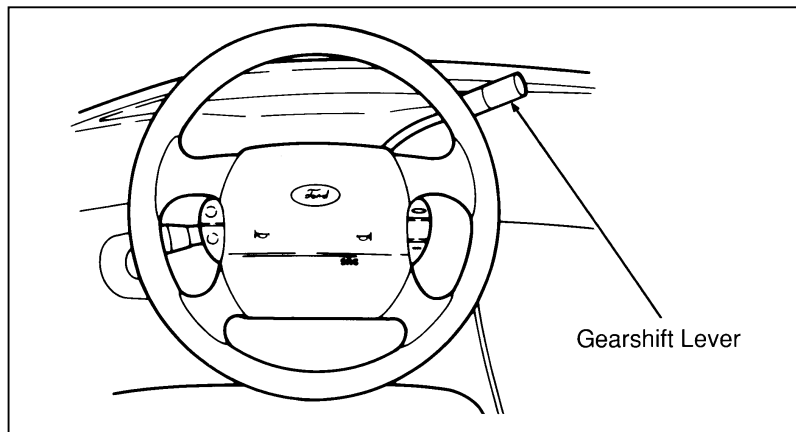
If the amount of effort needed to steer your vehicle changes at a constant vehicle speed, have the power steering system checked. If the power steering system breaks down (or if the engine is turned off), you can steer the vehicle manually but it takes more effort.

NOTE: After any severe impact such as striking large potholes, sliding into curbs on icy roads, or a collision involving the front end, have the front suspension and steering checked for possible damage.

Automatic Transaxle Operation

Putting Your Vehicle in Gear

Your vehicle's gearshift lever is on the steering column. The OVERDRIVE ON/OFF button is located on the end of the gearshift lever. You can put the gearshift lever in any one of several positions.



The steering column gearshift

WARNING

Hold the brake pedal down while you move the gearshift lever from position to position. If you do not hold the brake pedal down, your vehicle may move unexpectedly and injure someone.

Once you place the gearshift lever securely into position, gradually release the brake pedal and use the accelerator as necessary.

Brake-Shift Interlock Safety Feature

Your vehicle has a special brake-shift interlock safety feature which prevents you from shifting out of P (Park) without the brake pedal depressed. To shift the transaxle out of the P (Park) position, the ignition must be in the ON position and your foot must be pressing on the brake pedal.

If the shift lever cannot be moved from the P (Park) position with the brake pedal depressed:

1. Shut the engine off and remove the ignition key.
2. Apply the parking brake.
3. Reinsert the ignition key and turn it to the first position (OFF).
4. Depress the brake pedal, move the gearshift lever to N (Neutral) and start the engine.

If you need to shift out of P (Park) by using the alternate procedure described above, it is possible that a fuse has blown and that your brakelamps may also not be functional. Please refer to the chapter titled *Roadside Emergencies* in this Owner Guide for instructions on checking and replacing fuses.

 WARNING

DO NOT DRIVE YOUR VEHICLE UNTIL YOU VERIFY THAT THE BRAKELAMPS ARE WORKING.
--

Backing Up


Before shifting into or out of R (Reverse), you should always come to a complete stop.

Driving

When to use N (Neutral)

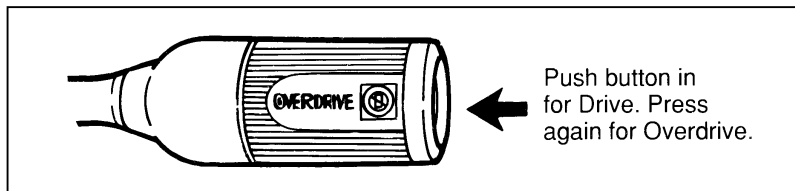
In N (Neutral), the wheels of the transaxle are not locked. Your vehicle will roll freely, even on the slightest incline, unless the parking brake or brakes are on.

When to use Overdrive

Overdrive is the normal driving position. When the gearshift lever is placed in  Overdrive, and the Overdrive Off button has not been pressed, the vehicle will automatically upshift to second, third and fourth gears. The transaxle will shift into the correct gear when the right speed is reached.

When to use D (Drive) — with the Overdrive Off button activated

You will notice that there is only one drive position on your gearshift indicator (instead of Drive and Overdrive). However, you will find a button and an indicator light located on the gearshift lever. Push in the button on the end of the lever and the OVERDRIVE OFF light on the end of the gearshift lever will illuminate. With the OVERDRIVE OFF light illuminated, the transaxle will operate in first, second and third gears and will not shift into fourth gear. Operating in Drive (OVERDRIVE OFF light illuminated) provides more engine braking than Overdrive for descending hills or city driving.



Overdrive button location

To return the transaxle to the normal Overdrive operation, press the OVERDRIVE ON/OFF button again. Use this button to select Overdrive or Overdrive Off whenever you drive your vehicle.

The transaxle will be in the “overdrive on” mode when the vehicle is started even if the O/D OFF mode was selected when the vehicle was last shut off.

NOTE: If the O/D OFF indicator light is flashing on and off repeatedly when the vehicle is started, there is a transaxle electronic system malfunction. Contact your dealer as soon as possible.

When to use 2 (Second)

Use 2 (Second) when driving on slippery roads or to provide additional engine braking on downgrades. This position provides Second and First gear operation only.

When to use 1 (First)

Use 1 (First) to provide maximum engine braking on steep downgrades. Upshifts from First can be made by manually shifting to 2 (Second) or **D** (Overdrive). 1 (First) gear provides only first gear operation. If you select First while driving at higher speeds, the transaxle will shift to 2 (Second), and then downshift to 1 (First) after the vehicle decelerates to the proper speed.

Parking

Always come to a complete stop before you shift into P (Park). This position locks the transaxle and prevents the front wheels from turning. To securely latch the gearshift in the P (Park) position, pull it toward you, push it completely counterclockwise against the stop, and then push it toward the instrument panel.

The gearshift is securely latched in P (Park) if you can not rotate it in a clockwise direction without pulling it toward you.


 **WARNING**

Always set the parking brake fully and make sure the gearshift is latched in P (Park). Turn off the ignition whenever you leave your vehicle.

 **WARNING**

Never leave your vehicle unattended while it is running.

Forced Downshifts

To gain extra acceleration in  (Overdrive) (when passing another vehicle) push the accelerator to the floor. The transaxle will automatically downshift to the appropriate gear (third, second or first).

Vehicle Loading Information

Your vehicle's load capacity is designated by weight, not volume, so you cannot necessarily use all the available space. Maximum safe vehicle weights as well as tire sizes, rim sizes and inflation pressures are specified for your vehicle at the assembly plant on the Safety Compliance Certification Label. The certification label is located on the pillar in the driver's door opening.

Each additional item of equipment affects how much cargo a vehicle can carry. If a vehicle is overloaded, performance will suffer and service concerns may arise.

NOTE: The vehicle must not be loaded to both the front and rear GAWR because the GVWR will be exceeded. The GAWR of the front and rear axles exceed the GVWR when added together.

WARNING

It is extremely dangerous to ride in a cargo area, inside or outside of a vehicle. In a collision, people riding in these areas are more likely to be seriously injured or killed. Do not allow people to ride in any area of your vehicle that is not equipped with seats and safety belts. Be sure everyone in your vehicle is in a seat and using a safety belt properly.

Understanding Loading Information

There are five terms that are used to describe a vehicle's ability to carry a load:

- Base Curb Weight
- Payload
- GVW (Gross Vehicle Weight)
- GVWR (Gross Vehicle Weight Rating)
- GAWR (Gross Axle Weight Rating)
- GCWR (Gross Combined Weight Rating)

Base Curb Weight

The base curb weight is the weight of the vehicle including fuel, coolants, lubricants, emergency tools and spare wheel and tire. It also includes any equipment that is standard. It does not include passengers, cargo or optional equipment installed by factory, dealer, aftermarket supplier or customer.

Payload

Maximum payload is the combined, maximum allowable weight of cargo, occupants and optional equipment that the vehicle is designed to carry. It is the Gross Vehicle Weight Rating minus the base curb weight.

Gross Vehicle Weight (GVW)

The Gross Vehicle Weight (GVW) is the total weight of the passengers, cargo and all equipment.

It is important to remember that GVW is not a limit or a specification, but actual weight. If an owner loads up the vehicle and weighs it, that's the GVW at that moment. If the owner adds on more of a load and weighs it again, that becomes the GVW.

Gross Vehicle Weight Rating (GVWR)

To avoid overloading your vehicle, never exceed the specified Gross Vehicle Weight Rating for your vehicle. The GVWR is the maximum allowable weight of the vehicle when fully loaded including passengers, cargo and all equipment.

Gross Axle Weight Rating (GAWR)

We have all seen a car or a truck that is loaded down in the rear and riding high in the front. This is a dangerous condition that usually means that the rear suspension components are under severe strain and that vehicle handling is impaired. There is more to carrying a load than just payload or GVWR.

Your Safety Compliance Certification Label not only gives the GVWR, it also gives the Gross Axle Weight Rating (GAWR) which is the maximum weight allowed on the axle system.

The rating is based on the carrying capacity of the weakest axle and suspension component as well as other factors. This is why it is so important to observe vehicle loading ratings.

Overloading a vehicle punishes components and can lead to shortened service life or outright failure.

The weakest link in the suspension system defines the GAWR, and may be the tires. Tires are rated to carry a specific maximum load at a specific tire pressure.

When passenger car tires are installed on light trucks and multipurpose passenger vehicles, they are rated at a 10% lower load carrying capacity due to the differences in vehicle usages.

With the tires inflated to the specified pressure, the total weight of your vehicle must not exceed the GVWR and GAWR specified on the Safety Compliance Certification Label. This includes full fuel tank(s), vehicle equipment, and occupants, as well as the cargo load.

Gross Combined Weight Rating (GCWR)

The GCWR is the maximum allowable weight of the towing vehicle and the loaded trailer (including all cargo and passengers).

Calculating the Payload for Your Vehicle

To know how much weight your vehicle can carry:

1. Obtain the GVWR and GAWR from your Safety Compliance Certification Label.
 - If you do not plan to pull a trailer, do not include these ratings into your calculations.
2. Fill the fuel tank.
3. Weigh your vehicle without cargo.
4. Subtract vehicle actual weight from the GVWR to find out how much more weight your vehicle can carry.
5. Weigh the vehicle again once it is loaded to make sure that the GVWR and front and rear GAWR's are not exceeded.

Trailer towing table

	Without Trailer Towing Package	With Trailer Towing Package
Maximum trailer weight	2,000 lbs (907 kgs)	3,500 lbs (1,587 kgs)
Maximum GCWR	6,550 lbs (2,971 kgs)	7,500 lbs (3,401 kgs)

If you suspect that your payload is excessive, have your vehicle weighed at a highway weight station or another appropriate commercial facility. Fill the fuel tank. Weigh the total vehicle and trailer (if applicable), then separately weigh the vehicle at the front and rear wheels. Finally, weigh the trailer separately if applicable.

Trailers

Towing a trailer safely means having the proper weight on the tongue (usually 10-15% of the trailer weight).

If your vehicle exceeds the GVWR, remove cargo from your vehicle accordingly. If your vehicle exceeds either GAWR, shift the load or remove cargo accordingly.

 WARNING
--

Do not exceed the GVWR or the GAWR specified on the Safety Compliance Certification Label.

 **WARNING**

Towing trailers beyond the maximum recommended gross trailer weight exceeds the limit of the vehicle and could result in engine damage, transaxle damage, structural damage, loss of control, and personal injury.

Preparing to Tow

For your safety and for the good of your vehicle, use the right equipment for the type of trailer you tow. Also, make sure that all towing equipment is properly attached to your vehicle. If you are not certain that you are using the right equipment in the proper manner, see your dealer or a reliable trailer dealer.

Hitches

For towing trailers up to 2,000 lbs. (907 kg), use a good weight-carrying hitch and hitch ball which uniformly distributes the trailer tongue load through the underbody structure.

Do not use single clamp bumper hitches or hitches that attach to the axle.

Whenever a trailer hitch and hardware are removed, make sure all mounting holes in the underbody are properly sealed to prevent exhaust fumes from entering the vehicle.

Safety chains

Always use safety chains between your vehicle and trailer. Cross chains under the trailer tongue and allow slack for turning corners. Connect safety chains to the vehicle frame or hook retainers. **Never attach chains to the bumper.**

Trailer brakes

Separate trailer brakes are required on most trailers weighing over 1,500 lbs. (680 kg).

 WARNING
--

Do not connect a trailer's hydraulic brake system directly to your vehicle's brake system. Your vehicle may not have enough braking power and your chances of having a collision greatly increase.

Trailer Lamps

Make sure your trailer lamps conform to federal and local regulations.

Class I Trailer Tow electrical wiring provides two circuits (right hand and left hand) to operate trailer stop/turn tail lamps. Each stop/turn circuit will operate one combination stop/turn light bulb (# 1157, 3157, 2357, or 3357) on the trailer. Never add more than one trailer light bulb to one circuit.

 WARNING
--

Always replace a fuse with one that has the specified amperage rating. Using a fuse with a higher amperage rating can cause severe wire damage and could start a fire.

Driving While You Tow

Be especially careful when driving while you tow a trailer. Never drive faster than 45 mph (72 km/h) when you tow in hilly country on hot days. Also, anticipate stops so that you can brake gradually.

If you use the speed control while you are towing on very long, steep grades, the speed control may shut off automatically.

When descending a steep grade with a trailer, operate in Drive rather than Overdrive. If additional braking is needed, shift into 2 (Second) or 1 (First) gear.

Servicing Your Vehicle If You Tow

If you tow a trailer for a long distance, your vehicle will need to be serviced more frequently than usual. Refer to the *Maintenance Schedule* booklet for additional information.

Trailer Towing Tips

Before starting on a trip, practice turning, stopping and backing in an area away from heavy traffic. Get to know the “feel” of the vehicle/trailer combination.

Practice backing up. Back up very slowly, with someone outside at the rear of your trailer to guide you. Place your hand at the bottom of the steering wheel and move it in the direction you want the rear of the trailer to swing. Slight movement of the steering wheel results in a much larger movement of the rear of the trailer.

When turning, drive slightly beyond the normal turning point so the trailer wheels will clear curbs or other obstructions.

Allow more room for stopping with a trailer attached. Trailer brakes should be applied first, whether manually or automatically controlled, when approaching a stop.

For an easy-to-operate vehicle/trailer combination, the trailer tongue load should be approximately 10-15% of the loaded trailer weight.

Make a thorough check of your equipment before starting out on the road. After you have traveled about 50 miles (80 km), stop in a protected area and double-check your hitch and electrical connections. Also check trailer wheel lug nuts for tightness.

When stopped in traffic for long periods of time in hot weather, place the gearshift selector lever in P (Park) to increase the engine idle speed. This aids in engine cooling and air conditioner efficiency. If the engine overheats, turn the selector knob to select the fresh air position to stop the air conditioner compressor. Increase the engine speed for a short time.

Vehicles with trailers should not be parked on a grade. However, if you must park on a grade, place wheel chocks under the trailer's wheels as follows:

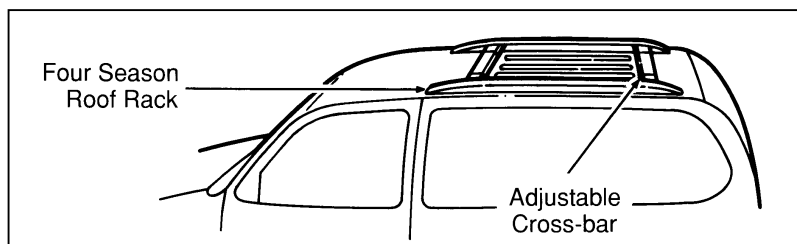
1. Apply the foot service brake pedal and hold.
2. Have another person place the wheel chocks under the trailer wheels.
3. With the chocks in place, release the foot service brake pedal, making sure the chocks are holding.
4. Apply the parking brake by pressing the service brake pedal down firmly with your right foot while applying the parking brake lever with your right hand.
5. Shift the gearshift lever into P (Park).

Complete the following steps to start your vehicle after it has been parked on a grade:

1. Apply the foot service brake pedal and hold.
2. Start the engine.
3. Shift the gearshift lever into gear and release the parking brake.
4. Release the foot service brake pedal and move the vehicle uphill to free the wheel chocks.
5. Apply the foot service brake pedal and hold while another person retrieves the chocks.

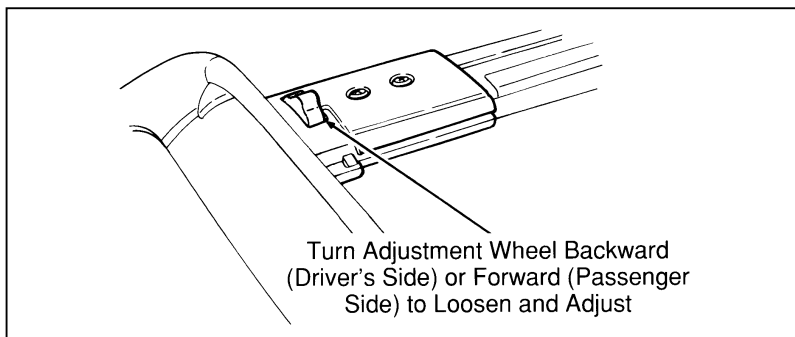
Four Season Roof Rack (If equipped)

Always load your luggage as far back as it will safely go on the four season roof rack. Do not load more than 165 pounds (75 kg) on the roof rack structure or 100 pounds (45 kg) on the roof panel slats. Be careful that your vehicle does not exceed the Gross Vehicle Weight Rating (GVWR) or its Gross Axle Weight Rating (GAWR front and rear). The GVWR and GAWR are located on the Safety Compliance Certification Label (located on the driver's door pillar).



The four season roof rack

The rear cross-bar can be adjusted forward and backward. Place your luggage between the bars, adjust the rear bar, and secure the luggage with rope to the bars. Items carried on the roof rack must be properly secured before driving your vehicle.



The adjustable cross-bar

Driving Under Special Conditions

Tips for Safe Driving

As with any new vehicle, yours may drive and handle differently from your previous vehicle. Use greater care until you become accustomed to its features and driving characteristics.

Always operate your vehicle within reasonable limits. Abrupt changes in acceleration, deceleration, turning, or combinations of these maneuvers can cause a vehicle to behave differently than anticipated, especially when road conditions vary.

For example, even with anti-lock brakes, extreme braking can make it difficult to control the direction of the vehicle. Use a “squeeze” technique. Push on the brake pedal with steadily increasing force. This allows the wheels to brake, yet continue to roll so that you may steer in the direction you want to travel.

If you release the accelerator abruptly or brake hard while going too fast around a severe curve, your vehicle may change its direction of travel. Avoid applying the brakes, if possible. If you must apply the brakes, use the “squeeze” technique described earlier.

Wheel Spin

Extreme acceleration can cause the front wheels to spin, resulting in reduced steering control. If the wheels spin during vehicle start-up, shift to 2 (Second) gear. Move forward slowly and evenly. If this does not work, try rocking the vehicle.

Driving at High Speeds

 WARNING
--

<p>Driving too fast for conditions creates the possibility of loss of vehicle control. Driving at very high speeds for extended periods of time may result in damage to vehicle components.</p>
--

Ford Motor Company recommends obeying posted speed limits.

 WARNING
--

<p>Do not spin the wheels at over 35 mph (55 km/h). The tires may fail and injure a passenger or bystander.</p>
--

Driving in Bad Weather

Slippery roads

- Drive cautiously on wet or snowy roads.
- Do not quickly move the steering wheel unless necessary.
- Drive more slowly than you would normally.
- Do not use speed control.
- Give your vehicle more distance to stop.
- Use the “squeeze” technique for braking as described in previous braking sections.
- Consider using one of the lower gears.

⚠ WARNING

To avoid skidding and losing control on slippery roads, do not downshift into 1 (First) when you are moving faster than 20 mph (32 km/h).

⚠ WARNING

The Anti-Lock Brake System may not prevent brake lock-up on extremely slippery surfaces.

High water

Do not drive through flooded areas unless you are sure that the water is below the bottom of the wheel hubs.

If you must drive through high water, drive slowly. You may have limited traction or wet brakes so allow extra stopping distance because your vehicle will not stop as quickly as usual.

After you drive through the standing water, apply your brakes gently several times as your vehicle moves slowly to help dry the brakes.

Rocking the Vehicle

If your vehicle gets stuck (for example, in mud or snow), you may rock it out. Shift in a steady rhythm between forward and reverse gears. At the same time, press lightly on the accelerator. If you are still stuck after a few minutes of rocking, call for a tow truck.

NOTE: If your vehicle is equipped with Traction Control, make sure the system has been turned off before attempting to rock the vehicle.

See *Traction Control Off Light* in the *Instrumentation* section of this guide for more information.

Do not rock the vehicle for more than a few minutes. This may overheat the engine, damage the transaxle, or damage the tires.

Driving With a Heavy Load

The Safety Compliance Certification Label, located on the driver's door pillar, provides important information regarding the weight limits your vehicle can safely carry or tow. The total weight of your vehicle, including the weight of the passengers and cargo, should never be more than the Gross Vehicle Weight Rating (GVWR). Also, the weight that your vehicle carries on the front axle and rear axle should never be more than the Gross Axle Weight Rating (GAWR) for the respective axle.

The load capacities of your vehicle's tires affect the GVWR or GAWR limitations. Using replacement tires with a higher weight limit than the originals does not increase GVWR or GAWR. Using lower capacity replacement tires may lower GVWR and GAWR limitations.

 WARNING
--

Do not exceed the GVWR or the GAWR specified on the Safety Compliance Certification Label.

Vehicle/Trailer Loads

Your vehicle may tow a Class I trailer up to 2,000 lbs. (907 kgs) or 3,500 lbs. (1,587 kgs) with Trailer Tow Package provided the Gross Vehicle Weight (GVW) is less than the GVWR shown on the Safety Compliance Certification Label.

Towing a Trailer

Towing a trailer puts an additional load on your vehicle's engine, transaxle, axle, brakes, tires and suspension. For your safety and for the good of your vehicle, use the right equipment for the type of trailer you tow.

- Stay within the load limits when you tow.
- Carefully and thoroughly prepare your vehicle for towing, making sure to use the right equipment and to attach it properly. See *Preparing to Tow* in this section.
- Use extra caution when driving your vehicle while you tow. See *Driving While You Tow* in this section.
- Service your vehicle more frequently if you tow a trailer. See *Servicing Your Vehicle if You Tow* in this section.

Do not tow a trailer until your vehicle has been driven at least 500 miles (800 km).

Roadside Emergencies

The hazard flasher is used to alert other drivers to hazardous situations.

The hazard flasher switch operates the same lamps as the turn signal lever. When the hazard flasher is activated, all of these lamps will flash on and off. The turn signal indicators cannot be used when the hazard lamps are flashing. Operation of the hazard flashers does not affect operation of the brakelamps.

The flashers work even with the key out of the ignition. The flashers will work for up to two hours when the battery is fully charged and in good condition. They will not drain the battery excessively. If the flashers run for longer than two hours or if your battery is not fully charged, your battery may be drained to the point where the vehicle will not start.

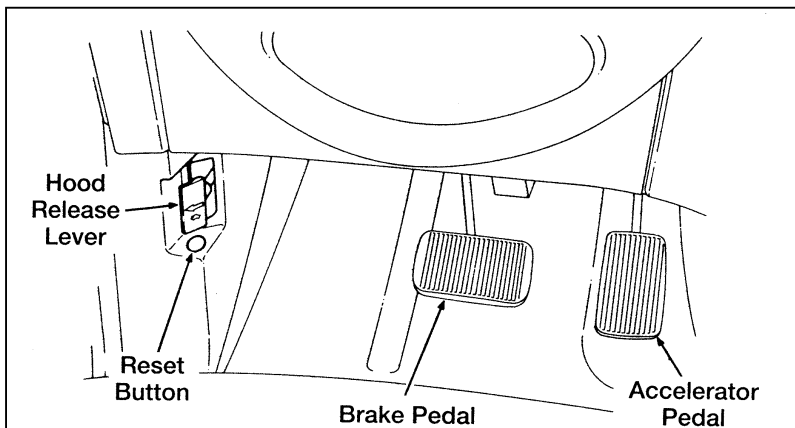
What To Do If The Engine Does Not Start

Fuel Pump Shut-Off Switch

If the engine cranks but does not start or does not start even after a small collision, the fuel pump shut-off switch may have been activated. The shut-off switch is a device intended to stop the fuel pump when your vehicle has been involved in a substantial jolt.

Once the shut-off switch is activated, you must depress the reset switch by hand before you can start your vehicle.

The fuel pump shut-off switch reset button is located behind the trim panel of the driver's left foot.



Fuel pump shut-off switch reset button location

⚠ WARNING

If you see or smell fuel, do not reset the switch or try to start your vehicle. Have all the passengers get out of the vehicle and call the local fire department or a towing service.

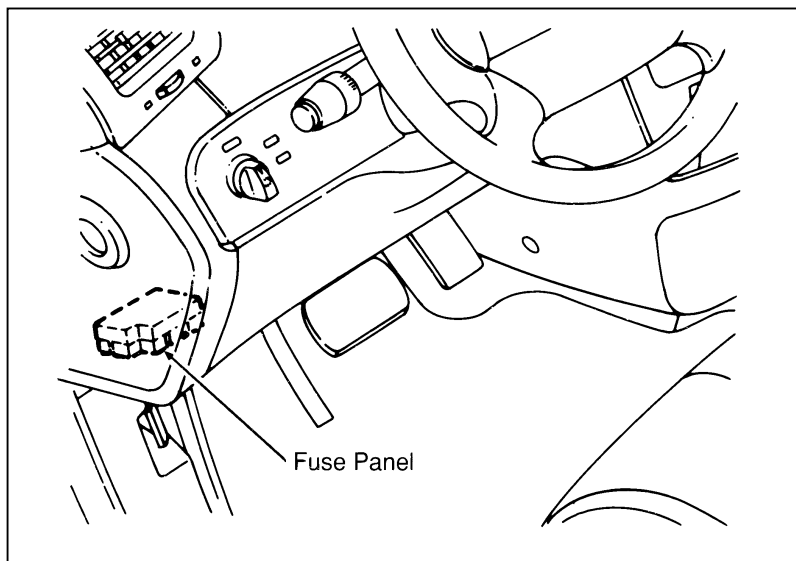
If your engine cranks, but does not start after a collision:

1. Turn the key in the ignition to the OFF position.
2. Check under the vehicle for leaking fuel.
3. If you do not see or smell fuel, push the fuel pump shut-off reset button down. If the red button is already set, you may have a different mechanical or electrical problem.
4. Turn the ignition key to the ON position for a few seconds, then turn it to the OFF position.
5. Check under the vehicle again for leaking fuel. If you see or smell fuel, do not start your vehicle again. If there is no fuel, you can try to start your vehicle again.
6. Check all vehicle warning lights before driving your vehicle.

Roadside Emergencies

Fuses and Maxi-Fuses

Fuses and maxi-fuses (high-current fuses) protect your vehicle's electrical system from overloading. If electrical parts in your vehicle are not working, the system may have been overloaded and caused a blown fuse. Before you replace or repair any electrical parts, check the appropriate fuses.



Fuse panel location

The following charts tell you which fuses protect each electrical part of your vehicle. If a fuse blows (opens) a circuit, all the parts of your vehicle that use that circuit will not work.

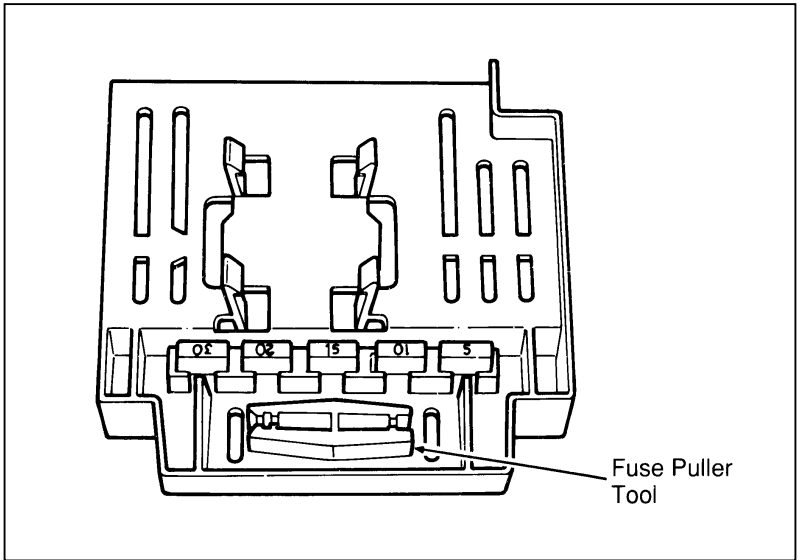
Once you have determined which fuses to check, follow the procedures under *Checking and replacing fuses*.

NOTE: Fuse links should only be repaired by your dealer.

Checking and Replacing Fuses

If you need to check a fuse, find the fuse panel for the electrical system, which is located under the instrument panel, and follow these steps:

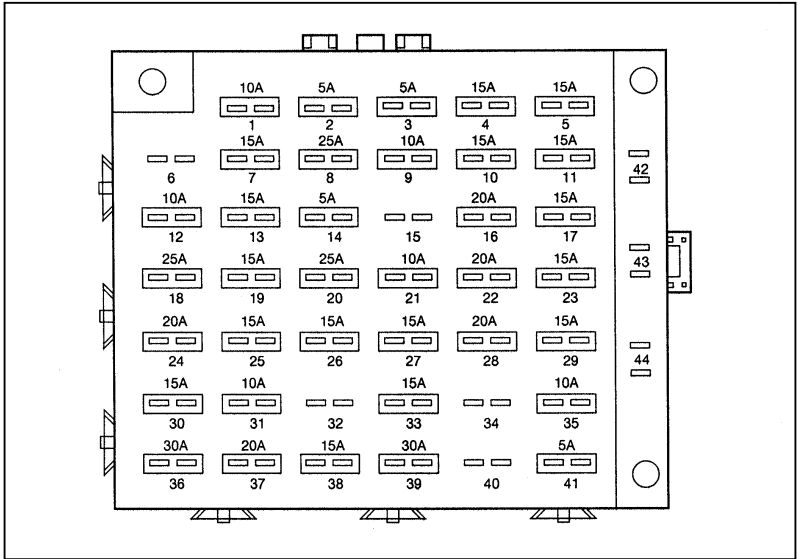
1. To remove the fuse panel cover, pull down on the fuse panel cover handle.



Fuse puller tool location — fuse panel cover

Roadside Emergencies

2. On the fuse panel, find the number of the fuse you want to check.



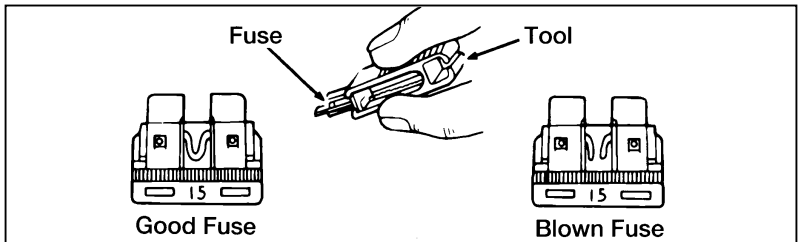
Main fuse panel under instrument panel

Fuse	Name	Amps	Circuit Protection
1	Power Mirror	10	Data Link Connector (DLC)/Power Mirrors
2	Prove Out	5	Start interrupt relay/GEM
3	Dimmer Illumination	5	Instrument illumination
4	Headlamp	15	LH headlamp (Low Beam)
5	Trailer Tow	15	Trailer park lamps
6	—	—	Not used
7	Stoplamp	15	Brake On/Off (BOO) switch/Stoplamps/Trailer RH and LH relay/Brake shift interlock/RAP module/Speed control module/Trailer electric brake module/ABS module/PCM
8	Audio/Amp	25	Radio amplifier/Subwoofer amplifier
9	Park Lamps	10	Parklamps/Side marker lamps/License lamps/Trailer park lamp relay/Electric brake module
10	Headlamp	15	RH headlamp (Low beam)
11	Fusing	15	I/P fuses 3 and 9
12	Run/Acc	10	GEM/RAP module/Auxiliary warning module/Overhead console
13	Audio	15	Radio/Remote headphone/CD disk changer
14	Run/Start	5	Instrument cluster/Auxiliary warning module/Air bag
15	—	—	Not Used
16	Horn	20	Horns
17	Fog Lamp	15	Fog lamps
18	Front Wiper	25	Windshield wiper/Washer system
19	GEM	15	GEM/RAP module
20	Ignition	25	Ignition coil/Ignition capacitor/PCM power relay
21	Run	10	Shiftlock actuator/Rear window defrost/GEM/Air bag module/A/C-heater control switch/Blend door actuator
22	Power Access	20	Rear cigar lighter/Power plug

Roadside Emergencies

Fuse	Name	Amps	Circuit Protection
23	Flash to Pass	15	Flash to Pass
24	Rear Wiper	20	Rear wiper/Rear washer system
25	Hazards	15	Instrument cluster/Turn signal lamps
26	Trailer	15	Trailer Turn/Stop/Hazard lamps
27	Turn Lamps	15	Electronic flasher
28	Front Cigar	20	Front cigar lighter
29	Interior Illumination	15	Interior lamps/Battery saver relay/Delayed accessory relay
30	Speed Control	15	ABS module/Speed control module/Brake pressure switch
31	Load Leveling	10	Rear air suspension
32	—	—	Not used
33	ABS	15	ABS lamp relay/Back-up lamps/GEM/RAP module/Day/night mirror
34	—	—	Not used
35	—	—	Not used
36	Blower	30	Front blower motor
37	Power Door Locks	20	Power door lock
38	High Beam	15	LH and RH high beams
39	—	—	Not used
40	—	—	Not used
41	Autolamps	5	Autolamp Relay/ Day/night mirror

-
- Use the fuse puller tool to remove the fuse.
 - Check the fuse to see if it is blown. Look through the clear side of the fuse to see if the metal wire inside is separated. If it is, the fuse is blown and should be replaced with a fuse of the correct amperage rating.



Fuse puller tool and fuse

⚠ WARNING

Always replace a fuse with one that has the specified amperage rating. Using a fuse with a higher amperage rating can cause severe wire damage and could start a fire.

- Put the fuse panel cover back on.

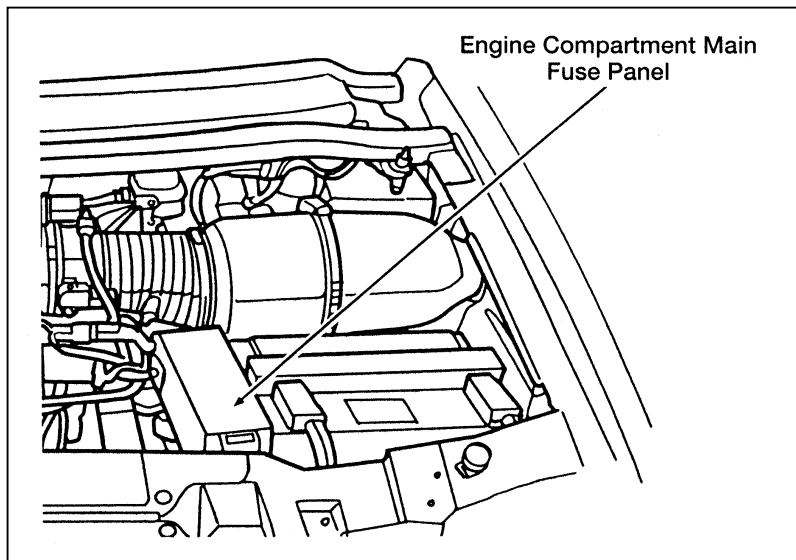
Even after you replace a fuse, it may continue to blow if you do not find what caused the overload. If the fuse continues to blow, have your electrical system checked.

Roadside Emergencies

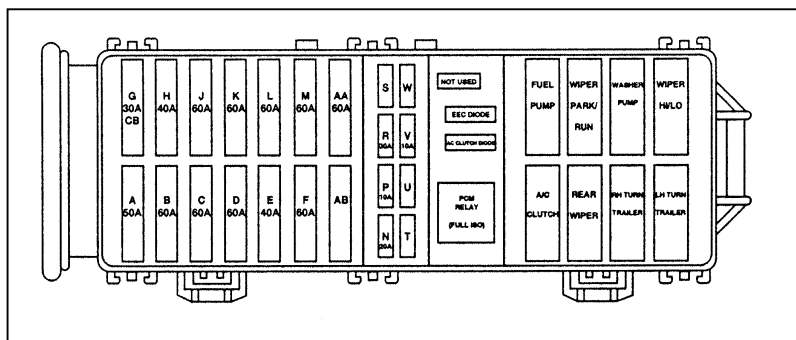
The following chart indicates the colors and amperage ratings of standard fuses.

Instrument Panel Fuse Color	Amperage
Gray	2A
Pink	4A
Tan	5A
Brown	7.5A
Red	10A
Blue	15A
Yellow	20A
Natural	25A
Green	30A
High Current Fuse Color	Amperage
Yellow	20A
Green	30A
Orange	40A
Red	50A
Blue	60A

Engine Compartment Main Fuse Panel



Engine compartment main fuse panel located on driver's side of engine compartment



Engine compartment main fuse and relay panel

Roadside Emergencies

Fuse	Name	Amps	Circuit Protection
A	Trailer tow	50	Trailer adapter
B	Fan-Hi	60	Engine cooling fans (HI speed)
C	Start	60	Starter motor solenoid/Ignition switch/ I/P fuse panel (fuses 2, 30, 36)
D	Ignition	60	Ignition switch/ I/P fuse panel (fuses 8, 12, 14, 18, 20, 21, 24, 27, 33)
E	Rear blower	40	Auxiliary blower motor
F	Seat	60	Power seats
G	Windows	30 CB	Power windows
H	Fan-Lo	40	Engine cooling fans (LO speed)
J	Battery	60	Power accessory/ I/P Fuse panel (fuses 1, 7, 13, 19, 25, 31, 37)
K	Lights	60	Headlamps/ I/P fuse panel (fuses 10, 11, 23, 29, 35, 41)
L	ABS	60	ABS
M	Heated backlight	60	Heated backlight/ I/P fuse panel (fuses, 22, 28, 16)
N	Fuel	20	Fuel pump
P	Air Bag	10	Air bag module
R	PCM	30	PCM
S	—	—	Not used
T	—	—	Not used
U	—	—	Not used
V	Trans light	10	Transmission control switch/Canister vent solenoid
W	—	—	Not used
AA	Air Ride	60	Air ride suspension
AB	—	—	Not used
Diode		Circuit protection	
D1		Hood switch	

⚠ WARNING

Always disconnect the battery before servicing high current fuses.

Ford recommends that high current fuses be replaced by a qualified technician.

⚠ WARNING

Always replace the cover to the Power Distribution Box before reconnecting the battery or refilling fluid reservoirs.

A blown maxi-fuse may be replaced but will continue to blow until the cause of the overload condition is corrected.

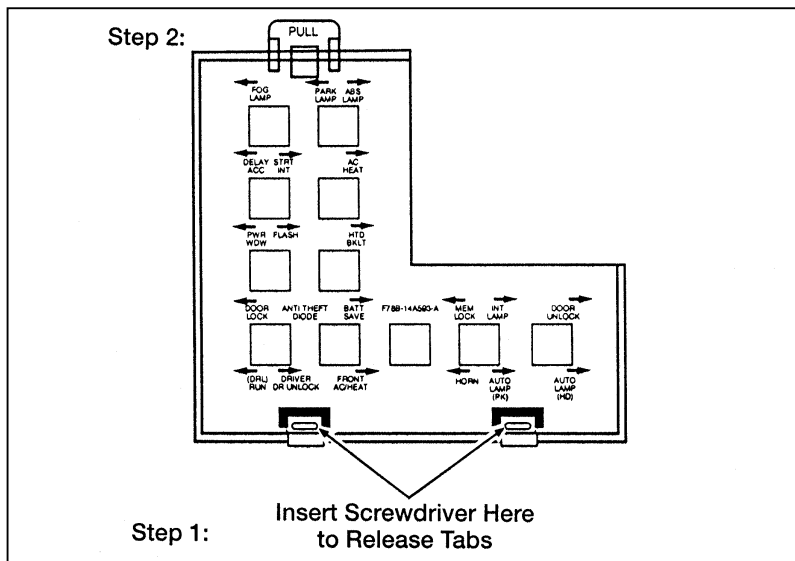
⚠ WARNING

Always replace a fuse with one that has the specified amperage rating. Using a fuse with a higher amperage rating can cause severe wire damage and could start a fire.

Relays

Relays are devices which receive signals from components or systems. After receiving signals, relays transfer these signals to activate or deactivate other components or systems. One relay box is located with the maxi-fuses near the battery and one is located with the fuse panel under the instrument panel.

Roadside Emergencies



The relay box cover located under the instrument panel

Changing a Flat Tire

If you get a flat tire while you are driving, do not apply the brake heavily. Instead, gradually decrease the speed. Hold the steering wheel firmly and slowly move to a safe place on the side of the road. Park on a level spot, turn off the ignition, set the parking brake, and turn on the hazard flashers.

Using the Spare Tire

Your vehicle has a temporary spare tire (unless you ordered the optional full-size spare tire). This spare tire is smaller than a regular tire and is designed for emergency use only. Use it only when you get a flat tire and replace it as soon as you can. This spare tire is marked with the words **TEMPORARY USE ONLY** so that you can easily identify it.

⚠ WARNING

If you use the temporary spare tire continuously or do not follow these precautions, the tire could fail, causing you to lose control of the vehicle, possibly injuring yourself or others.

When you drive with the temporary spare tire, DO NOT:

- exceed 50 mph (80 km/h) under any circumstances
- load your vehicle so that it is heavier than the maximum vehicle load rating listed on the tire decal
- tow a trailer
- use tire chains
- try to repair the temporary spare tire or remove it from its wheel
- use the wheel for any other type of vehicle
- drive through an automatic car wash. Because the temporary spare tire is smaller than a conventional tire, it reduces the ground clearance. Your vehicle may get caught in the rails and it could be damaged.

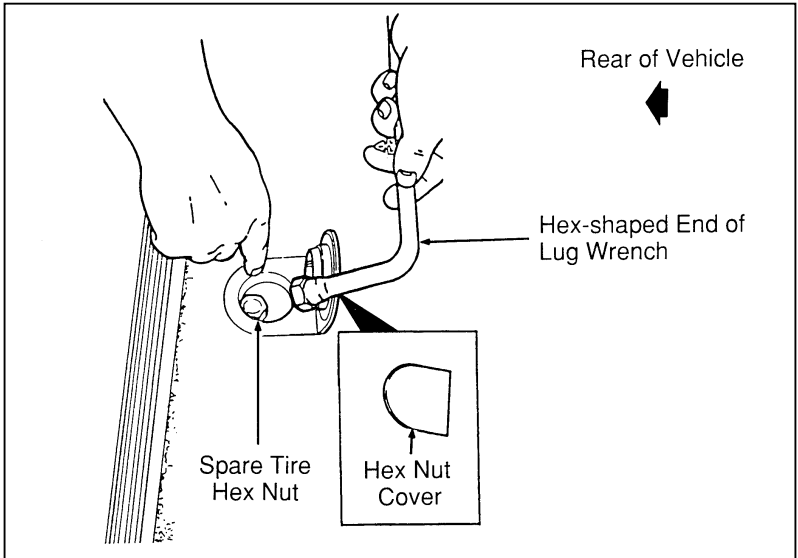
Finding the spare tire

The spare tire is stored underneath your vehicle, directly below the cargo area.

Roadside Emergencies

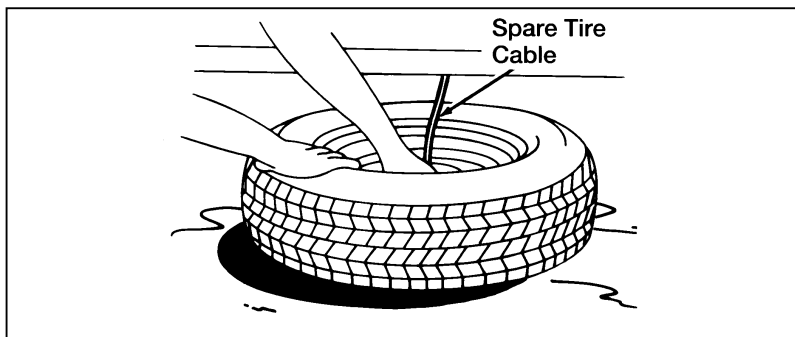
Removing the spare tire

1. Open the liftgate and find the plastic hex nut cover in the carpeting of the cargo area. Lift the cover to expose the hex nut.



The spare tire cover

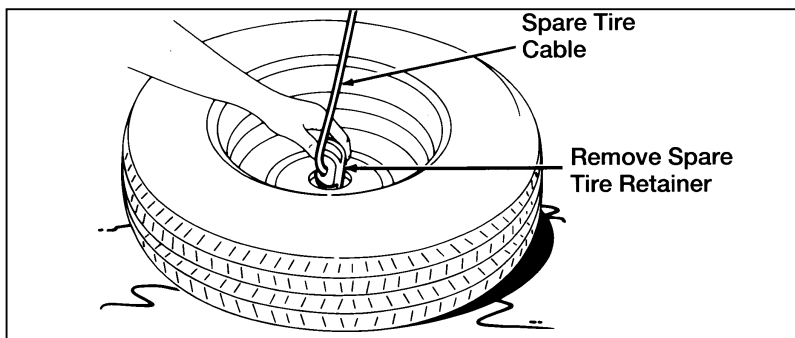
2. Find the lug wrench in the tool kit located behind the jack in the right cargo area side panel.
3. Fit the hex-shaped end of the lug wrench over the hex nut in the floor of the cargo area. Turn counterclockwise until the cable extends far enough to lower the spare tire to the ground.



The spare tire in the lowered position

4. Continue to turn the hex nut counterclockwise until the spare tire retainer can be seen for removal.
5. Remove the retainer from the center of the wheel. It may be necessary to lift one end of the tire to disengage the retainer.

16" wheels only: Lift one end of the tire and separate wheel retainer from the cable.



Removing the spare tire retainer

Roadside Emergencies

Changing the Tire

You should only raise your vehicle with a jack properly placed at the front or rear jacking points.

1. Make sure that your vehicle will not move or roll and that the tires and jack are on a level, solid surface. Put the gearshift lever in P (Park). Set the parking brake and block the wheel — in both directions — that is diagonally opposite the tire that you are changing.

⚠️ WARNING

When one of the front wheels is off the ground, the transaxle alone will not prevent the vehicle from moving or slipping off the jack, even if the vehicle is in P (Park).

⚠️ WARNING

To prevent the vehicle from moving when you change a tire, be sure the parking brake is set, then block (in both directions) the wheel that is diagonally opposite (other side and end of the vehicle) to the tire being changed.
--

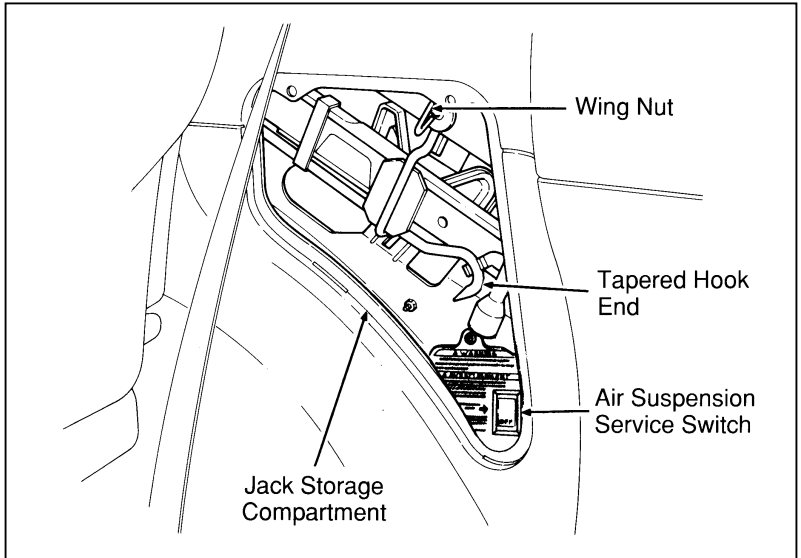
⚠️ WARNING

If the vehicle slips off the jack, you or someone else could be seriously injured.

⚠️ WARNING

On vehicles equipped with Air Suspension, turn OFF the Air Suspension switch prior to jacking, hoisting or towing your vehicle.
--

-
2. Get out the spare tire and jack. See previous section for instructions on spare tire removal. The jack is located in the rear storage compartment in the right door panel of the cargo area. Remove wing bolt to unfasten jack.

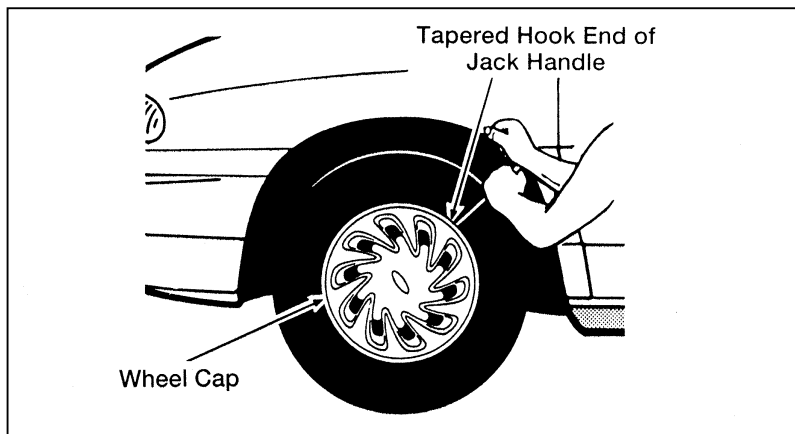


Jack storage

3. Insert the tapered hook end of the jack handle behind the wheel cover of the tire to be changed and gently pry it off. When you want to replace the wheel cover, simply align the valve stem to the slot in the cover and press it back on.

To replace wheel covers, line up the valve hole of the wheel cover (see back of wheel cover for location information) over the valve stem. While pressing the wheel cover against the wheel, hit the outer edge with your palm or a rubber mallet until the wheel cover is fully secured on the wheel.

Roadside Emergencies



Wheel cover removal

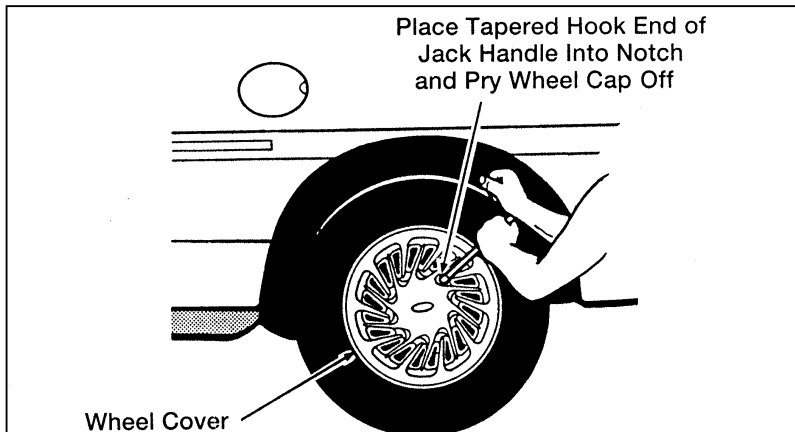
If you have the 15" aluminum wheels, remove the wheel cap to gain access to the lug nuts. To remove the cap, insert the tapered end of the jack handle behind the notch in the wheel and gently pry the cap off. To replace it, press it back on.

To replace 15" aluminum wheel ornament, align the pry-off notch with one of the five mounds on the wheel face. Hit the ornament with your palm while keeping the ornament against the wheel until the ornament is seated on the wheel.

If your vehicle is equipped with 16" aluminum wheels, perform the following procedure to remove the wheel ornaments:

1. Remove the wheel from the vehicle.
2. Drive the ornaments off the wheel from behind with a wooden handle of a hammer or a similar instrument.

To replace the wheel ornament, align the tabs of the ornament with the opening in the wheel. Push the ornament with your palm until it is fully secured into the wheel opening. **Do not use excessive force or a metal hammer to install wheel covers or wheel ornaments.**

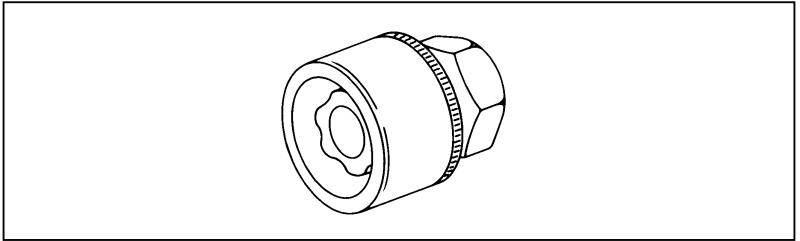


Wheel cover removal (optional cast aluminum wheels)

4. Fit the hex-shaped end of the lug wrench over the wheel lug nuts and loosen them one-half turn (counterclockwise). Do not remove the wheel lug nuts until you raise the tire off the ground.

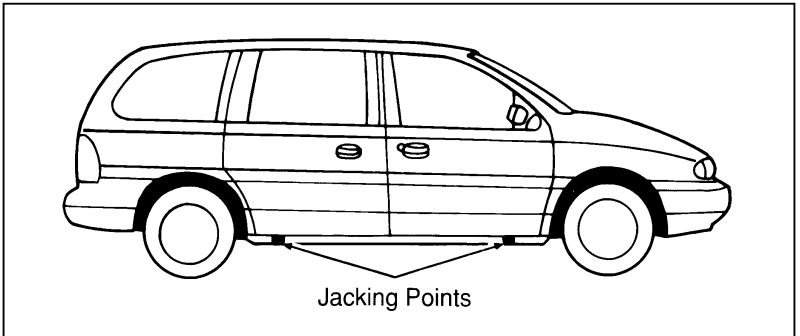
If your vehicle has the optional locking lug nuts, you must use the lug nut removal tool provided with your vehicle's tool kit.

Roadside Emergencies

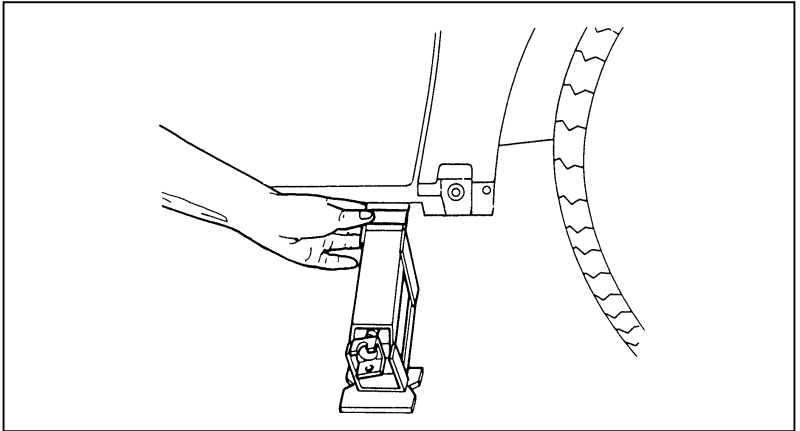


Anti-theft lug nut

5. Fit the jack under the proper jacking point indicated by the notch in the bottom of the door frame panel.



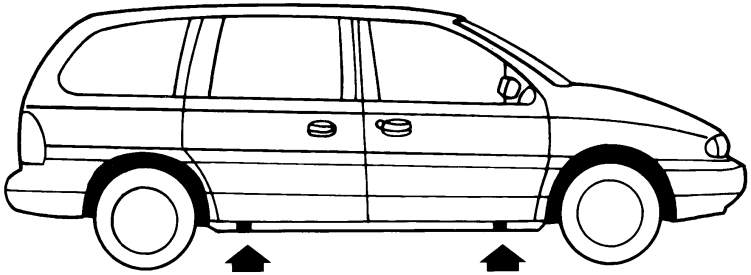
The notches for the jack



Jack placement

NOTE: If your vehicle is equipped with running boards, refer to the following illustration before jacking.

Roadside Emergencies

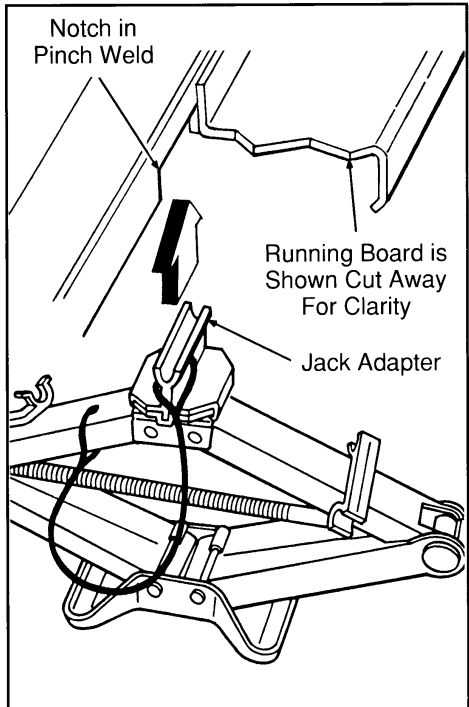


If your Windstar is equipped with accessory running boards, you must use the jack adapter when jacking the vehicle.

Install the adapter on the jack by sliding the base of the adapter into the slot on the top of the jack.

Position the jack and adapter under the pinch weld notch, being sure the adapter is visible through the notch in the running board.

Raise the vehicle following the detailed jacking instructions.



Jacking information for running boards

⚠ WARNING

To avoid injury, never run the engine with one wheel off the ground, such as when changing a tire.

⚠ WARNING

To lessen the risk of personal injury, do not put any part of your body under the vehicle while changing a tire. Do not start the engine when your vehicle is on the jack. The jack is only meant for changing the tire.

⚠ WARNING

Never raise your vehicle by using a bumper jack. The bumper could be damaged or the jack could slip and you could be injured.

NOTE: Never raise your vehicle by placing the jack on the torsion bar (within axle) or front or rear suspension components. Serious damage to these components may occur.

6. Your vehicle may be equipped with one of two types of jack and handle assemblies. Operation of each type is described as follows:

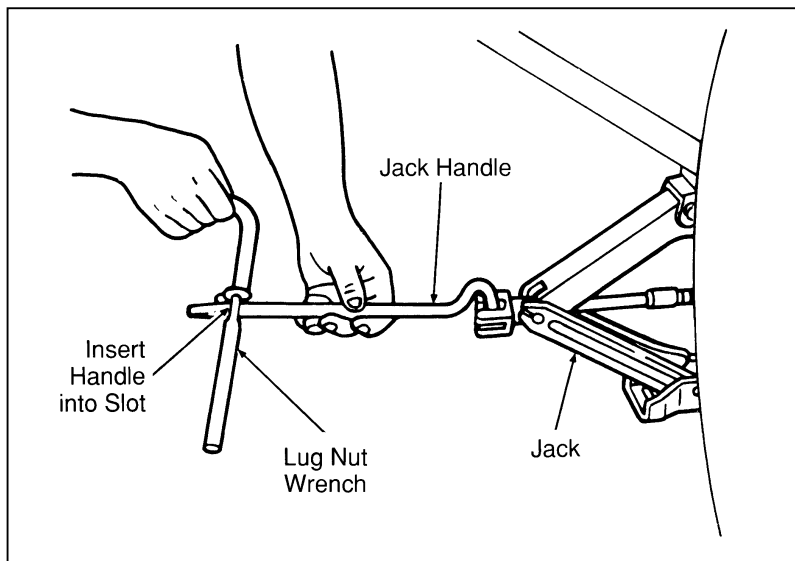
- a. Separate Lug Nut Wrench and Jack Handle Type.

Insert the jack handle into the jack and slide the tapered end of the jack handle through the slot in the lug nut wrench.

- b. Articulated Hex Handle Type

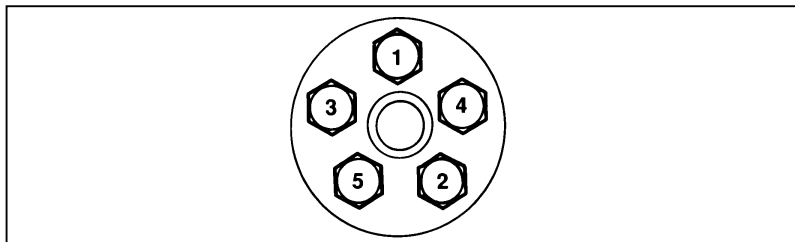
Remove the handle assembly from the jack retaining bracket. Swing the hex socket end outward to an approximate right angle position. Place the hex socket end on the hex nut of the jack assembly. Turn the handle clockwise to raise the vehicle off the ground.

Roadside Emergencies



The jack and handle assembly

7. Turn the lug nut wrench (attached to the jack handle) clockwise to raise the vehicle off the ground.
8. Remove the wheel lug nuts with the lug nut wrench.
9. Remove the flat tire and replace it with the spare tire.
10. Place the wheel lug nuts on the spare tire. Use the lug nut wrench to screw the lug nuts snug against the wheel, but do not tighten fully.
11. Lower the vehicle by turning the jack handle counterclockwise.
12. Use the wheel lug wrench to tighten lug nuts in the appropriate sequence. Re-check for complete tightness.



Lug nut tightening sequence

The lug nuts should be tightened to 83-113 ft-lb (113-153 Nm).

13. Replace the wheel cover by pressing it into place. If you have the standard wheel covers, you must align the notch in the wheel cover with the tire's valve stem and align the recess in the back of the wheel cover with one of the lug nuts. If you have the optional aluminum wheel, press the center wheel cap into place after matching up the design of the wheel cap to the wheel.
14. Replace the jack in the storage compartment and make sure the jack is securely fastened.
15. Store the flat tire under the vehicle just as you would store the spare tire. Refer to the section on *Stowing the Spare Tire* in this chapter.
16. Unblock the wheels.

Retighten the lug nuts to the specified torque at 500 miles (800 km) of operation, after any wheel change, or any time the lug nuts are loosened.

Roadside Emergencies

Stowing the spare tire

1. To raise the tire to the stowed position, lay the tire on the ground with the interior side facing up. Install the retainer through the wheel center and slide the tire under the vehicle. Fit the hex-shaped end of the wheel lug wrench over the hex nut in the floor of the cargo area. Turn the wheel lug wrench clockwise until the tire is raised to its original position underneath the vehicle.

If your vehicle has 16" wheels, lift one end of the tire, route the cable end through the center of the wheel and install the 16" wheel retainer.

NOTE: The hex nut ratchets when the tire is raised to the stowed position. It will not allow you to over-tighten.

2. Check for proper seating against the underbody supports and retighten if necessary.

 WARNING
--

Check the tire seating position for looseness and make sure the tire is not too far forward to avoid axle contact.

 WARNING
--

Make sure the spare tire and jacking equipment are stowed and secured in the proper storage location.
--

Jump-Starting Your Vehicle

Your vehicle's battery may discharge if you leave the lights or any electrical equipment on after you turn the engine off. If this happens, you may be able to jump-start from a booster battery to start your vehicle.

⚠ WARNING

The gases around the battery can explode if exposed to flames, sparks, or lit cigarettes. An explosion could result in injury or vehicle damage.

⚠ WARNING

To protect yourself when charging a battery, always shield your face and eyes. Make sure that you can breathe fresh air.

⚠ WARNING

Applying too much pressure on the ends when lifting a battery could cause acid to spill. Lift the battery with a carrier or with your hands on the opposite corners.

⚠ WARNING

Batteries contain sulfuric acid which burns skin, eyes, and clothing.

If the acid touches someone's skin, eyes, or clothing, immediately flush the area with water for at least 15 minutes. If someone swallows the acid, have him or her drink lots of milk or water first, then Milk of Magnesia, a beaten egg, or vegetable oil. Call a doctor immediately.

Roadside Emergencies

To avoid damaging your vehicle or your battery, and to avoid injury to yourself, follow these directions for preparing your vehicle to jump-start and connecting the jumper cables in the order they are given. If in doubt, call for road service.

To prepare your vehicle for jump-starting:

1. Use only a 12-volt battery to jump-start your vehicle. Your vehicle has a 12-volt starting system, so you need to use a 12-volt jumper system. You can damage your starting motor, ignition system, and other electrical parts if you connect them to a 24-volt power supply (either two 12-volt batteries in series or a 24-volt motor generator set).
2. Do not disconnect the battery of the vehicle that needs a jump-start. You could damage the vehicle's electrical system.
3. Park the second vehicle close to the hood of your vehicle, but make sure the vehicles do not touch each other. Set the parking brake on both vehicles and stay clear of the engine cooling fan.
4. Check the battery terminals and remove any excessive corrosion before you attach the jumper cables.
5. Turn on the heater blower in both vehicles. Turn off all other switches and lights in both vehicles to prevent possible damage to either vehicle's electrical systems.

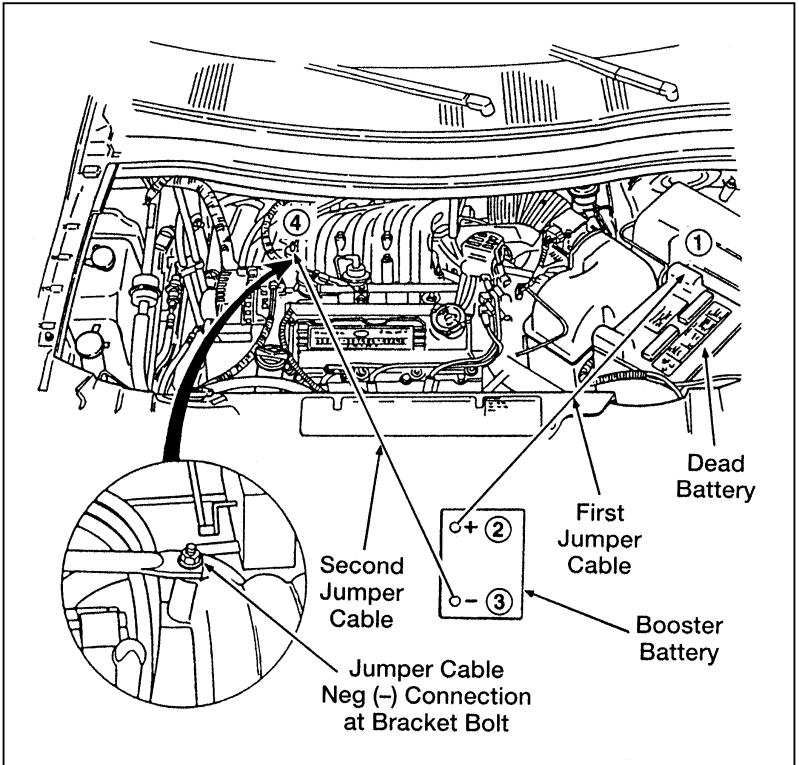
To connect the jumper cables:

1. Connect one end of the first jumper cable to the positive (+) terminal of the dead battery. (You can connect either jumper cable to the positive (+) terminal, as long as you use the same cable for both positive terminals.) Most jumper cables have a red cable and a black cable. The red cable is generally used for the positive terminals and the black for the negative ones.
2. Connect the other end of the first cable to the positive (+) terminal of the booster battery.
3. Connect one end of the second cable to the negative (-) terminal of the booster battery — NOT to the dead battery.
4. Connect the other end of that cable to a good, unpainted metallic surface in the engine compartment of the vehicle that needs a jump-start. The following illustration shows where you can find a metallic surface.

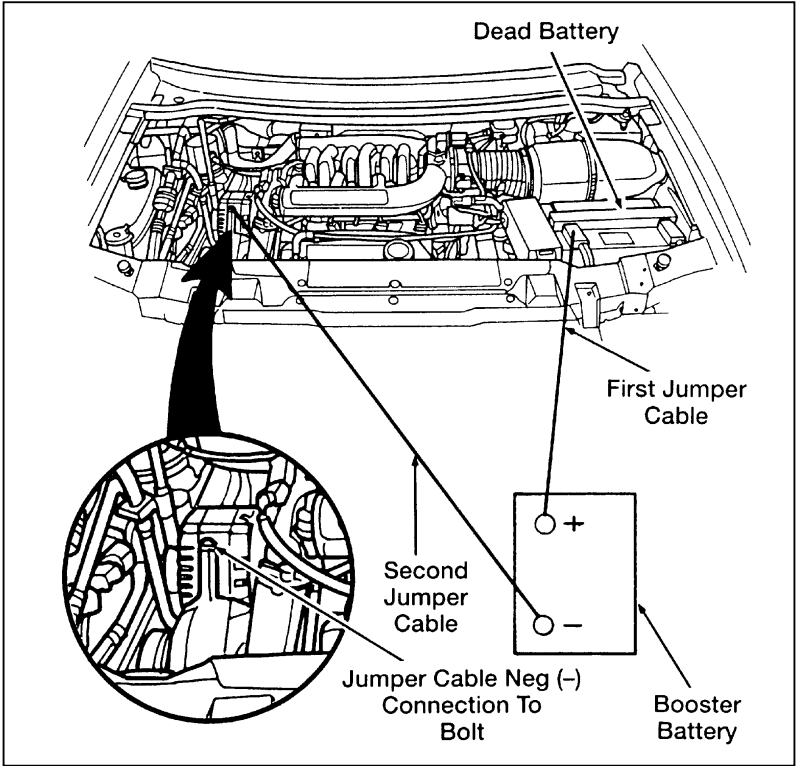
 **WARNING**

Do not connect the end of the second cable to the negative (-) terminal of the battery to be jumped. A spark may cause an explosion of the gases that surround the battery.

Roadside Emergencies



Jumper Cable Placement (3.0L)



Jumper Cable Placement (3.8L)

Roadside Emergencies

After you connect the jumper cables to the batteries:

1. Make sure that the jumper cables are not in the way of moving engine parts, then start the vehicle that has the booster battery. Run the engine at a moderate speed.
2. Let the dead battery charge for a few minutes and then start the vehicle that has the dead battery. If the starter does not crank, check for good, solid jumper cable clamp attachments. It may take a couple of tries before your vehicle starts. If your vehicle does not start after several attempts, you may have a different mechanical problem.
3. When both vehicles are running, let them idle for a few minutes to charge the dead battery.

Take the jumper cables off in the following order:

1. Remove the negative (–) end of the jumper cable from the metallic surface in the engine compartment of the vehicle that needed a jump-start.
2. Remove the other end of the negative (–) cable from the booster battery.
3. Remove the positive (+) cable from the booster battery.
4. Remove the other end of the positive (+) cable from the vehicle that needed a jump-start.

After your vehicle is started, let it idle for a while to let the engine “relearn” its idle conditions and drive it around for a little while with all electrical accessories turned off, to let the battery recharge. **You may need to use a battery charger to fully recharge the battery.**

Towing Your Vehicle

If you need to have your vehicle towed, contact a professional towing service or, if you are a member, your roadside assistance center.

When calling for a tow truck, tell the operator what kind of vehicle you have. A towing manual is available from Ford Motor Company for all authorized tow truck operators. Have your tow truck driver refer to this manual for the proper hook-up and towing procedures for your vehicle.

How Ford Makes Servicing Your Vehicle Easy

Ford has two goals for servicing your vehicle.

1. When we can, we design parts that do not need to be serviced.
2. We want to make servicing your vehicle as easy as possible. To help you:
 - We highlight do-it-yourself items in yellow in your engine compartment so that you can find them easily.
 - When possible, we design parts that can be replaced without tools.
 - We give you a *Maintenance Schedule* booklet that makes tracking routine service for your vehicle easy.

This chapter tells you about the basic parts that you need to check and service regularly.

If you need professional servicing, see the chapter on *Customer Assistance* in this Owner Guide.

Check your *Warranty Information* Booklet to find out which parts are covered.

Precautions When Servicing Your Vehicle

Be especially careful when inspecting or servicing your vehicle. Here are some general precautions for your safety:

- If you must work with the engine running, avoid wearing loose clothing or jewelry that could get caught in moving parts.
- Do not work on a vehicle in an enclosed space with the engine running, unless you are sure you have enough ventilation.

-
- Never get under a vehicle while it is supported by a jack only. If you must work under a vehicle, use safety stands.
 - Keep all lit cigarettes and other smoking materials away from the battery and all fuel-related parts.

Working Under the Hood

Before you open the hood, read this section carefully.

If you plan to work under the hood while the engine is off:

 WARNING
--

Always set the parking brake fully and make sure the gearshift is latched in P (Park). Turn off the ignition whenever you leave your vehicle.
--

 WARNING
--

Always remove the key from the ignition after you turn off the engine.

If you must work under the hood while the engine is on:

 WARNING
--

Always set the parking brake fully and make sure the gearshift is latched in P (Park). Turn off the ignition whenever you leave your vehicle.
--

 WARNING
--

Do not wear loose clothing or jewelry that can get caught in the moving parts.

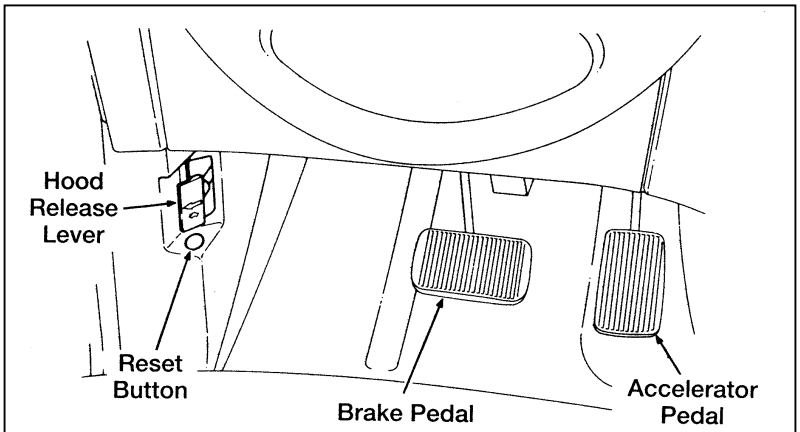
Maintenance and Care

⚠ WARNING

Do not start your engine with the air cleaner removed and do not remove it while the engine is running.

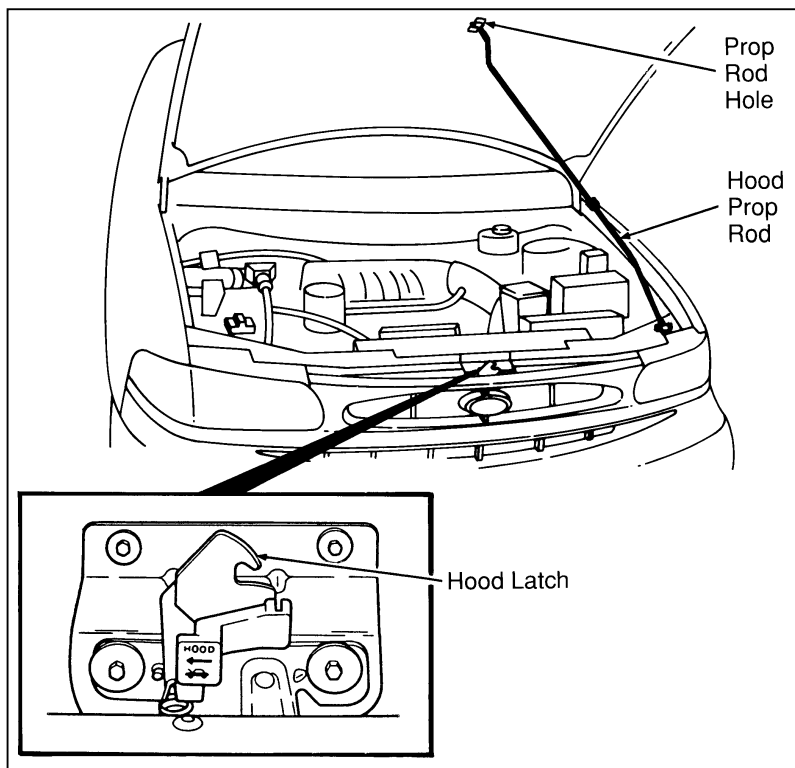
To open the hood:

1. Pull the hood release lever located below the instrument panel to the left of the steering wheel.



Hood release lever location

2. Go to the front of the vehicle and release the secondary hood latch under the hood in the front center of the vehicle.
3. Lift the hood and release the prop rod from its retaining clip. Place the end of the prop rod in the prop rod hole provided on the underside of the hood.



Propping the hood

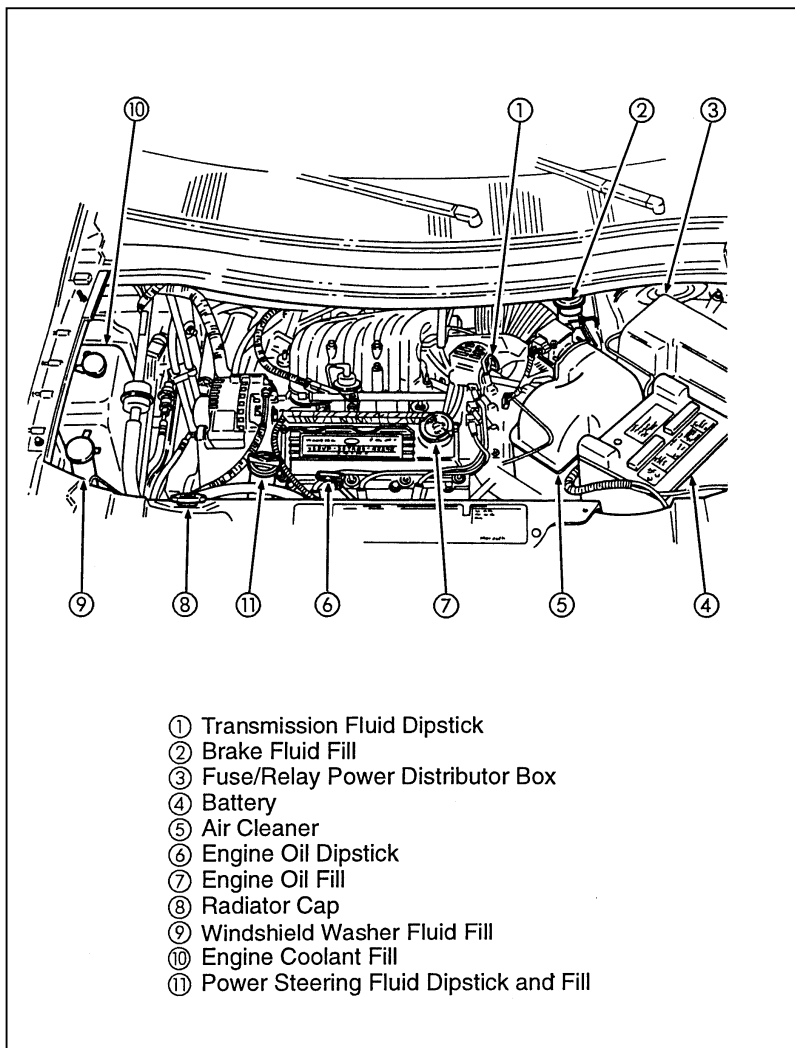
To close the hood:

1. Remove the prop rod from the slotted hole in the hood. Place the rod in its retaining clip and close the hood with enough force to make it latch. Be sure to oil the hood latch every six months to maintain smooth operation.
2. Try to lift the hood after closing it to be sure it is securely latched.

Maintenance and Care

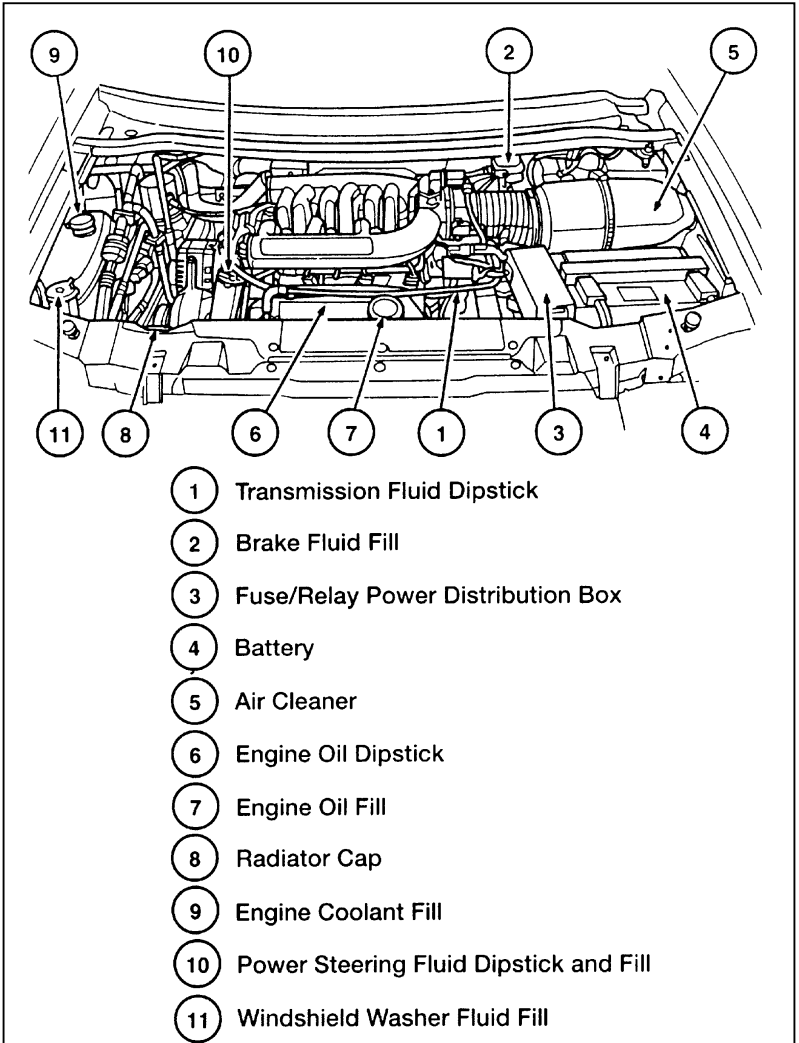
Engine Compartment

Your vehicle has a 3.0 liter SFI, V-6 engine or an optional 3.8 liter SPI, V-6 engine. The following illustrations show diagrams of your engine and where you can find items you should service regularly.



The engine compartment (3.0 liter only)

Maintenance and Care



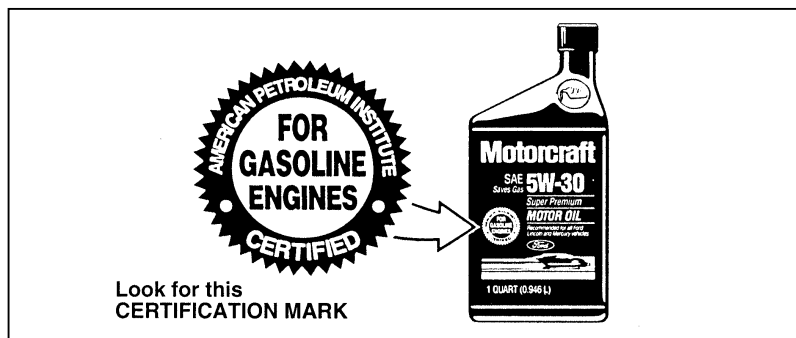
The engine compartment (3.8 liter only)

What to Check When You Stop at a Service Station

Engine Oil Recommendations

We recommend using Motorcraft oil or an equivalent oil meeting Ford Specification WSS-M2C153-F and displaying the American Petroleum Institute CERTIFICATION MARK on the front of the container.

Use only engine oils displaying the American Petroleum Institute CERTIFICATION MARK on the front of the container:



The API Certification Mark

Never use:

- “Non-Detergent” oils
- Oils labeled API SA, SB, SC, SD, SE, SF or SG
- Additional engine oil additives, oil treatments or engine treatments

Maintenance and Care

Engine oils with an **SAE 5W-30** viscosity are **PREFERRED** for your vehicle. They provide the best engine performance, fuel economy and engine protection for all climates down to -15°F (-26°C).

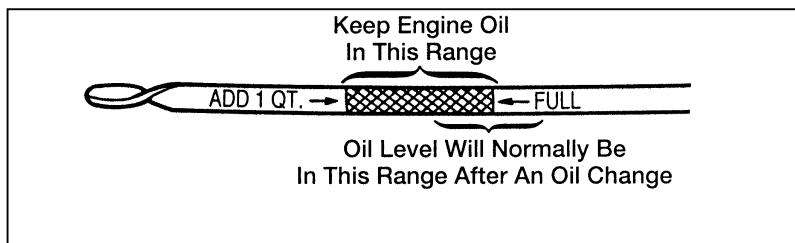
Synthetic engine oils which are **CERTIFIED** and of the preferred viscosity may be used in your engine. The engine oil and oil filter must still be changed according to the maintenance schedule.

Checking and Adding Engine Oil

Since the proper amount of engine oil is important for safe engine operation, check the oil using the dipstick each time you put fuel in your vehicle. Remember the engine must be off, the oil must be warm and the vehicle must be parked on level ground.

Checking the engine oil level:

1. Turn the engine off after it has warmed up and allow a few minutes for the engine oil to drain back into the oil pan.
2. Set the parking brake, making sure the gearshift is securely latched in P (Park).
3. Open the hood. Protect yourself from engine heat.
4. Locate the dipstick labelled “Engine Oil” and carefully pull it out of the engine.
5. Wipe the dipstick clean and put it back into position, making sure it is fully seated.



Engine oil dipstick

6. Carefully, pull the dipstick out again. If the oil level is below the "ADD 1 QT." line, add engine oil as necessary. If the oil level is beyond the letter "F" in FULL, engine damage or high oil consumption may occur and some oil must be removed from the engine.
7. Put the dipstick back in and make sure it is fully seated.

It may be necessary to add some oil between oil changes. Make sure you use a CERTIFIED engine oil of the preferred viscosity. Your vehicle's warranty coverage may not apply if engine damage is caused by the use of improper engine oil.

Add engine oil through the oil filler cap highlighted in yellow. To add oil, remove the filler cap and use a funnel to pour oil into the opening. Be careful not to overfill the engine. Recheck the oil level after you finish adding oil.

Changing the Engine Oil and the Oil Filter

Refer to the *Maintenance Schedule* booklet for additional information.

NOTE: Always dispose of used automotive fluids in a responsible manner. Follow your community's standards for disposing of these types of fluids. Call your local recycling center to find out about recycling automotive fluids.

Maintenance and Care

 WARNING
--

Continuous contact with USED motor oil has caused cancer in laboratory mice.

Protect your skin by washing with soap and water.

Brake Fluid

Your vehicle is equipped with a brake fluid level indicator in the master cylinder which lights the BRAKE warning light on the instrument panel when the brake fluid level is low.

Under normal circumstances, your vehicle should not use up brake fluid rapidly. However, expect the level of the brake fluid to slowly fall as you put more mileage on your vehicle and the brake pads wear.

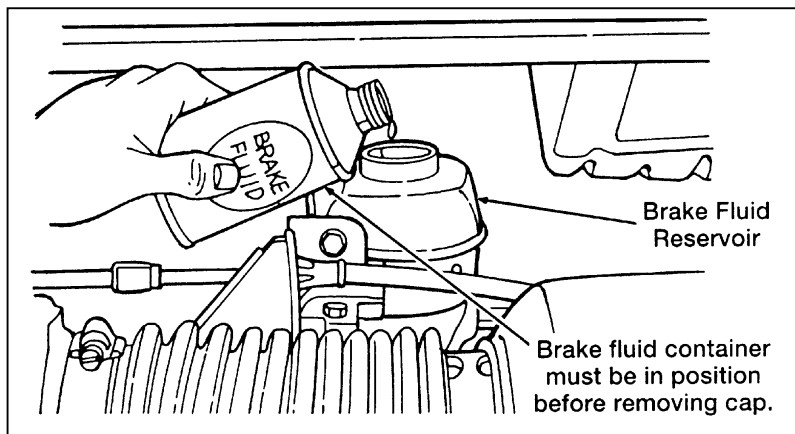
Check the brake fluid at least once a year. You can do this by looking at the fluid level in the plastic reservoir on the master cylinder. The fluid level should be at or near the MAX mark. Add fluid if level is 0.30" or more below the MAX line.

 WARNING
--

Brake fluid is toxic.

If brake fluid contacts eyes, flush eyes with running water for 15 minutes. Get medical attention if irritation persists. If taken internally, drink water and induce vomiting. Get medical attention immediately.

If the fluid is low, carefully clean and remove the filler cap from the reservoir. Fill the reservoir to the MAX line with Ford High Performance DOT 3 Brake Fluid C6AZ-19542-AB or DOT 3 equivalent fluid meeting Ford specification ESA-M6C25-A.



The brake fluid reservoir

⚠ WARNING

If you use a brake fluid that is not DOT 3, you will cause permanent damage to your brakes.

Add fluid if level is 0.30" or more below the MAX line.

Do not fill the reservoir above the MAX line.

If you find that the fluid level is excessively low — below the seam or ridge on the outside of the plastic reservoir — have the brake system inspected.

⚠ WARNING

Do not let the reservoir for the master cylinder run dry. This may cause the brakes to fail.

Maintenance and Care

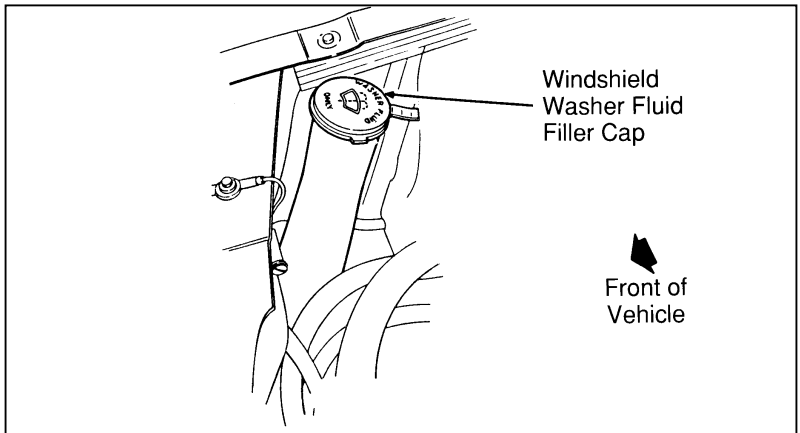
Windshield Washer Fluid

Washer Fluid

Check the level of the windshield washer fluid every time you stop for fuel. The reservoir for washer fluid is located on the front, passenger side of the engine compartment. This reservoir contains the fluid for both the windshield and liftgate washers.

WARNING

Do not put windshield washer fluid in the container for the engine coolant.



Windshield washer fill location

Use specially formulated windshield washer fluid rather than plain water, because specially formulated washer fluids contain additives that dissolve road grime. For safety reasons, washer fluids containing an appropriate antifreeze such as methanol should be used in freezing weather (temperatures below 32°F [0°C]). State or local regulations on Volatile Organic Compounds (VOCs) may restrict use of the most common antifreeze,

methanol. Washer fluids containing non-methanol antifreeze agents should be used only if they provide cold weather protection without damaging the vehicle's paint finish, wiper blades, and windshield washer system.

 **WARNING**

Windshield washer fluid contains methanol which is poisonous.

When adding windshield washer solution, be sure to observe all warnings indicated on the washer solution container.

Engine Coolant

Checking the Engine Coolant

Your vehicle's engine coolant protects the engine from overheating in the summer and from freezing in the winter. Check the level of the engine coolant at least once a month, but preferably each time you stop for fuel. Simply check the coolant reservoir, located in the engine compartment. The coolant should stay slightly above the "FULL COLD" mark.

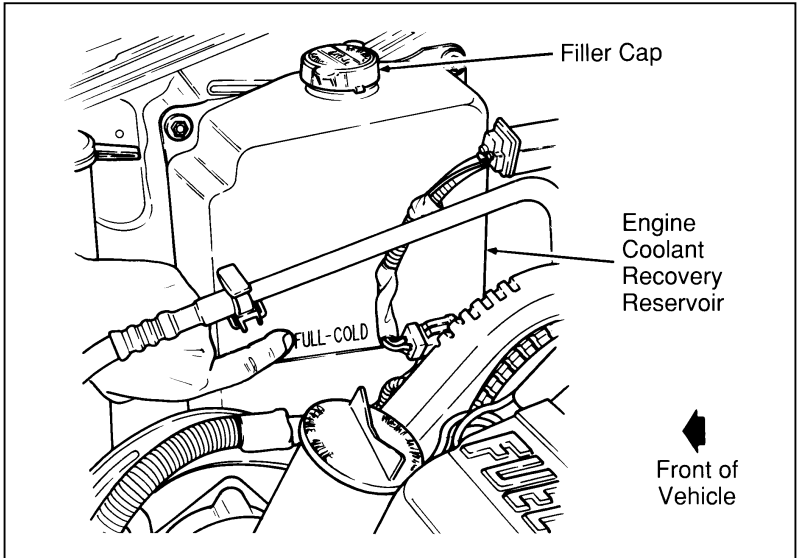
Adding Engine Coolant

 **WARNING**

Do not put engine coolant in the container for the windshield washer fluid.

If sprayed to clean the glass, engine coolant or antifreeze could make it difficult to see through the windshield.

Maintenance and Care



Engine coolant recovery reservoir fill location

Use Ford Premium Cooling System Fluid or an equivalent engine coolant that meets Ford Specification ESE-M97B44-A. Do not use alcohol or methanol antifreeze and do not use engine coolant mixed with alcohol or methanol antifreeze. If you do not use the proper coolant, the aluminum radiator on your vehicle will corrode.

Whenever you remove the radiator cap, make sure that you also check the condition of the radiator cap rubber seals. Make sure they are clean and free of any dirt. Rinse off with water, if necessary. When you replace the radiator cap, make sure the radiator filler neck seats are clean. Also check that the overflow hose is not kinked or turned in such a way that prevents an easy flow.

Never remove the radiator cap while the engine is running or hot. If you must remove the radiator cap, follow these steps to avoid personal injury that can be caused by escaping steam or engine coolant.

1. Turn the engine off and let it cool before removing the radiator cap. You should exercise care when removing the cap, even from a cooled engine.
2. When the engine is cool, wrap a thick cloth around the cap and turn it slowly counterclockwise to the first stop.
3. Step back while the pressure is released.
4. When you are sure that all the pressure has been released, use the cloth to press, turn, and remove cap.
5. Stand away from the radiator opening while removing the cap. Hot steam may blow out or hot engine coolant may splash out.

Freezing Protection

The factory-installed solution of Ford Premium Cooling System Fluid and water will protect your vehicle to -35°F (-37°C). Check the freeze protection rating of the engine coolant at least once a year, just before winter.

Add engine coolant only to the engine coolant recovery reservoir — not to the radiator. If the coolant level is low, add to the engine coolant recovery reservoir a 50/50 mixture of water and the type of engine coolant that Ford specifies. If the coolant recovery reservoir is empty, you should also check the radiator to see if it is low. Check the coolant level again the next few times you drive your vehicle.

Maintenance and Care

Ford Premium Cooling System Fluid is an optimized formula that will protect all metals and rubber elastomers used in Ford engines for four years or 50,000 miles (80,000 km). It is not necessary and not recommended to use supplemental coolant additives in your gasoline powered vehicle. These additives may harm your engine cooling system. Follow the recommended service interval for changing your engine coolant.

NOTE: When adding to or changing your engine coolant, it is important to maintain a coolant concentration between 40% (-11°F [-24°C]) and 60% (-62°F [-52°C]) depending on your local climate conditions. When coolant concentration falls below 40%, you will lose freeze protection; above 60%, your engine may overheat on a warm day. If coolant concentration is outside this range, you may lose corrosion and rust protection for the metals in your engine cooling system.

NOTE: Do not use an engine coolant that does not meet all 14 requirements of Ford specification ESE-M97B44-A. The use of a coolant that does not meet the 14 requirements may void your warranty for the engine cooling system. Use only a premium, nationally recognized brand name engine coolant.

Ford Motor Company expressly authorizes the Ford Rotunda engine coolant recycling process and chemicals. Use only Ford Rotunda recycled engine coolant or an equivalent non-Ford Rotunda recycled engine coolant that is certified by the supplier to meet Ford specification ESE-M97B44-A.

NOTE: Always dispose of used automotive fluids in a responsible manner. Follow your community's standards for disposing of these types of fluids. Call your local recycling center to find out about recycling automotive fluids.

Leave the coolant in all year. Make sure that the coolant will not freeze at the temperature level in which you usually drive during winter months. Keep an engine coolant in your engine that has a protection rating of at least -20°F (-29°C).

To find out how much engine coolant mixture your vehicle's coolant system can hold, see *Refill Capacities* in *Capacities and Specifications* chapter.

You may add water by itself only in an emergency, but you should replace it with a 50/50 mixture of water and coolant as soon as possible.

Have your dealer check the engine cooling system for leaks if you have to add engine coolant more than once a month, or you have to add more than a quart (liter) at a time.

Checking Hoses

Inspect all engine and heater system hoses for deterioration, leaks and loose clamps before adding or replacing engine coolant. Make whatever repairs or replacements are necessary using Motorcraft parts or their equivalents.

Engine Coolant Drain and Flush

To drain and flush your engine coolant, you **MUST** see your Ford dealer or refer to the procedure in the service manual. Failing to do so could result in engine damage.

Power Steering Fluid

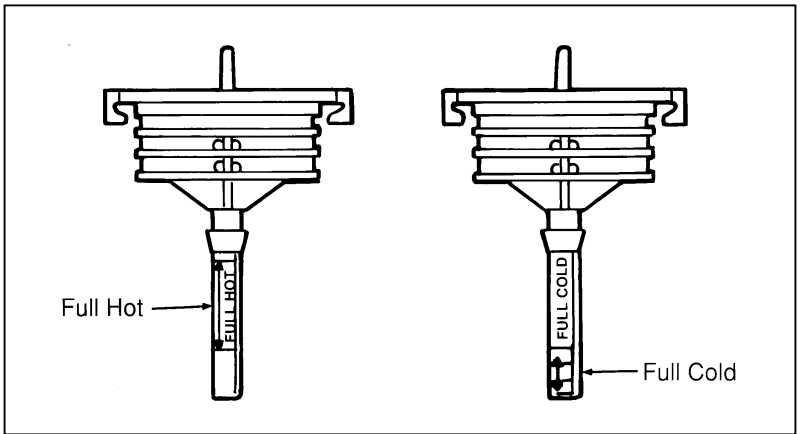
Check the level of the power steering fluid at least twice a year (i.e., every Spring and Fall).

To check the level of your power steering fluid:

1. Start the engine and let it run until the power steering fluid reaches normal operating temperature. The power steering fluid will reach the right temperature after at least five minutes of idling or at least one mile (1 km) of driving.

Maintenance and Care

2. While the engine idles, turn the steering wheel back and forth several times. Make sure that the cap assembly is installed at this time.
3. Then turn the engine off.
4. Check the fluid level in the power steering fluid reservoir.



The power steering fluid cap

5. If the power steering fluid is low, add fluid in small amounts, continuously checking the level, until the fluid is between the minimum (MIN) and maximum (MAX) lines on the dipstick. Do not overfill.
6. Make sure the cap is free of all dirt prior to re-installing to prevent pump damage.

Use only power steering fluid that meets Ford Specification ESW-M2C33-F, such as Ford Premium Power Steering Fluid, E6AZ-19582-AA or an equivalent Type F Automatic Transaxle Fluid with a Ford registration number (an 8-digit number beginning with "2P" printed on the fluid container).

NOTE: If the power steering fluid is low, do not drive your vehicle for a long period of time before adding fluid. This can damage the power steering pump.

If you must check the power steering fluid when it is cold, make sure that the fluid reaches at least the minimum (MIN) mark. The reading will only be accurate if the fluid temperature is approximately 70° to 100°F (21° to 38°C).

Automatic Transaxle Fluid

Under normal circumstances, you need to change the fluid at 30,000 miles (48,000 km) for normal operating conditions or 21,000 miles (34,000 km) for severe duty. However, if the transaxle is not working properly (for example, slipping or shifting slowly), or you notice some sign of fluid leakage, the fluid level should be checked.

It is best to check the transaxle fluid level at normal operating temperature, after approximately 20 miles (32 km) of driving. However, if necessary, you can check the fluid level without having to drive 20 miles (32 km) to obtain a normal operating temperature if outside temperatures are above 50°F (10°C).

NOTE: If the vehicle has been operated for an extended period at high speeds or in city traffic during hot weather, or if it has been pulling a trailer, the engine should be turned off for about 30 minutes to allow the fluid to cool before checking.

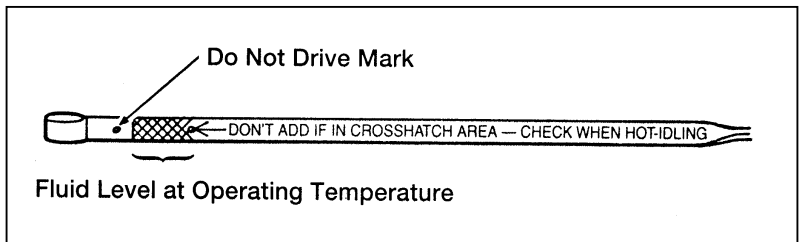
Maintenance and Care

Checking the Automatic Transaxle Fluid

With the vehicle on a level surface, start the engine and move the gearshift lever through all of the gear ranges allowing sufficient time for each position to engage. Securely latch the gearshift lever in the P (Park) position, fully set the parking brake and leave the engine running.

Wipe off the dipstick cap, pull the dipstick out and wipe the indicator end clean. Put the dipstick back into the filler tube and make sure it is fully seated. Pull the dipstick out and read the fluid level.

When checking fluid at normal operating temperature, the fluid level should be within the crosshatched area on the dipstick.



The automatic transmission dipstick

NOTE: Your vehicle should not be driven until some fluid has been added if the fluid level is below the bottom hole on the dipstick and the outside temperature is above 50°F (10°C). Add only enough fluid to bring the level above the bottom hole. The fluid level should be rechecked at normal operating temperature.

If the vehicle has not been driven and the fluid level is above the bottom hole on the dipstick, do not add fluid. Recheck the fluid level after your vehicle has reached normal operating temperature.

Normal operating temperature is reached after driving approximately 20 miles (32 km). The fluid level should be within the crosshatched area on the dipstick.

Adding Automatic Transaxle Fluid

The fluid type is stamped on the dipstick. Before adding any fluid, be sure that the correct type will be used.

Add fluid in 1/2 pint (0.25 liter) increments through the filler tube to bring the level to the correct area on the dipstick. If an overfill occurs, excess fluid should be removed by a qualified technician.

NOTE: Always dispose of used automotive fluids in a responsible manner. Follow your community's standards for disposing of these types of fluids. Call your local recycling center to find out about recycling automotive fluids.

NOTE: Always use Motorcraft MERCON® or equivalent MERCON® automatic transaxle fluid when you refill your automatic transaxle fluid.

Battery

The Motorcraft maintenance-free battery normally does not require additional water during its life of service. However, for severe service usage or in high temperature climates, check your battery electrolyte level, at least every 24 months or 24,000 miles (40,000 km). Keep the electrolyte in each cell up to the "level" indicator. Do not overfill the battery cell. For longer, trouble-free operation, keep the top of the battery clean and dry. Also, make certain the battery cables are always tightly fastened to the battery terminals.

Maintenance and Care

If you see any corrosion on the battery cables or terminals, remove the cables from the terminal(s) and clean with a wire brush. You can neutralize the acid with a solution of baking soda and water. Reinstall the cables when you are done cleaning them, and apply a small quantity of grease to the top of each battery terminal to help prevent corrosion.

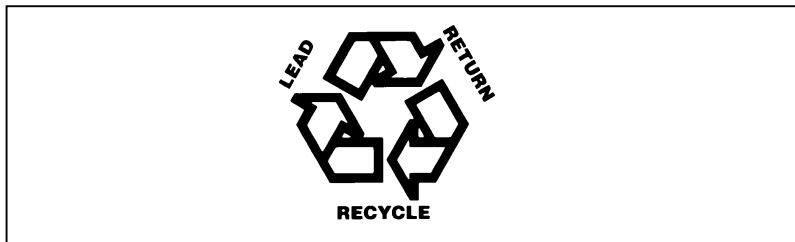
Battery replacement

If your original equipment battery requires replacement while under warranty, it will be replaced with a Motorcraft service battery, identical in design technology. Like the original equipment battery, it should not require water addition during its normal life of service; however, for severe service usage or in high temperature climates, check your battery electrolyte level, at least every 24 months or 24,000 miles (40 000 km). Do not overfill the battery cell.

If the electrolyte level in your battery gets low, you can add plain tap water to the battery, as long as you do not use hard water (water with a high mineral or alkali content). If possible, however, try to only fill the battery cell with distilled water. If the battery needs water often, have the charging system checked.

Help Us Protect Our Environment

Ford Motor Company strongly recommends that used lead-acid batteries be returned to an authorized recycling facility for disposal.



Battery recycling symbol

⚠ WARNING

The gases around the battery can explode if exposed to flames, sparks, or lit cigarettes. An explosion could result in injury or vehicle damage.

⚠ WARNING

Batteries contain sulfuric acid which burns skin, eyes, and clothing.

If the acid touches someone's skin, eyes, or clothing, immediately flush the area with water for at least 15 minutes. If someone swallows the acid, have him or her drink lots of milk or water first, then Milk of Magnesia, a beaten egg, or vegetable oil. Call a doctor immediately.

⚠ WARNING

Applying too much pressure on the ends when lifting a battery could cause acid to spill. Lift the battery with a carrier or with your hands on the opposite corners.

Maintenance and Care

Wiper Blades

Check the windshield wipers at least twice a year. Also check them whenever they seem less effective than usual. Such substances as tree sap and some hot wax treatments used by commercial car washes reduce the effectiveness of wipers.

If the blades do not wipe properly, clean both the windshield and the wiper blades. Use undiluted windshield washer solution or a mild detergent. Rinse thoroughly with clear water. Do not use fuel, kerosene, paint thinner, or other solvents to clean your wiper blades. These will damage your blades.

Your wipers have a service feature that allows you to pull the wiper arms and blades away from the windshield and into an upright position. This service position allows you easy access to the blades from either side of your vehicle.

To reach the wiper blades easily, turn the ignition switch to ACCESSORY and turn your wipers on. Wait for them to reach a vertical position and turn the ignition to OFF. Moving the wipers manually may damage them.

Wiper Blade Replacement

If the wipers still do not work properly after you clean them, you may need to replace the wiper blade assembly. When replacing the wiper blade assembly always use a Motorcraft part or equivalent.

To replace the wiper blades:

1. Pull the wiper arm away from the windshield and into the lock position.
2. Turn the blade at an angle from the wiper arm. Squeeze the lock tabs of the plastic clip together to release the blade and pull the wiper blade down toward the windshield to remove it from the arm.

-
3. Attach a new wiper blade to the wiper arm and press it into place until you hear it click.

Tires

Look at your tires each time you fill your fuel tank. If one tire looks lower than the others, check the pressure in all of them.

- Keep your tires inflated to the recommended pressures. See *Checking the pressure of the tires* later in this chapter.
- Stay within the recommended load limits. See *Driving with a heavy load* in the Index.
- Make sure the weight of your load is evenly distributed.
- Adjust tire pressure to recommended specifications found on the Safety Compliance Certification Label.

If you do not take these precautions, your tires may fail or go flat.

 WARNING
--

<p>Always obey posted speed limits. If you drive too fast for road conditions, you could lose control of your vehicle. Under some circumstances, driving at very high speeds for extended periods of time may damage vehicle components, creating a risk of component failure and a potential loss of vehicle control. Any time you lose control of your vehicle, it may result in injury.</p>

At least once a month, check the pressure in all your tires, including the spare. Use an accurate tire pressure gauge. Check the tire pressure when tires are cold, that is, after the vehicle has been parked for at least one hour or has been driven less than 3 miles (5 km). You can find the proper cold tire pressure on the Safety Compliance Certification Label located on the driver's door pillar.

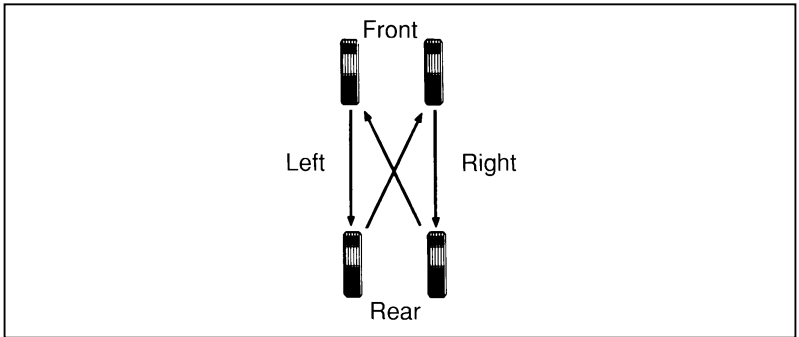
Maintenance and Care

WARNING

Improperly inflated tires can affect vehicle handling and can fail suddenly, possibly resulting in loss of vehicle control.

Tire Rotation

Because your vehicle's front and rear tires perform different jobs, they often wear differently. To make sure your tires wear evenly and last longer, rotate them as indicated in the following diagram.



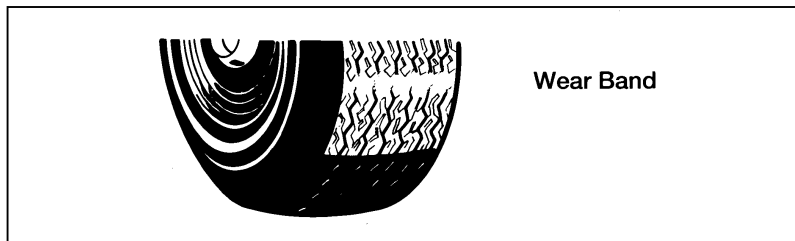
Rotating the tires

If your vehicle has the optional full-size spare tire, you may rotate the spare tire into the rotation pattern.

If your vehicle has aluminum wheels, you may remove the full-size (if equipped) spare tire from the wheel and remount it on an aluminum wheel to rotate the spare tire into your vehicle's rotation pattern.

Replacing the Tires

Replace tires that show wear bands. When your tire shows a wear band, it has only 1/16 of an inch (1.59 mm) of tread left.



A worn-out tire

Because your vehicle's tires may wear unevenly, you may need to replace them before a wear band appears across the entire tread.

WARNING

When replacing full size tires, never mix radial, bias-belted, or bias-type tires. Use only the tire sizes that are listed on the tire pressure decal. Make sure that all tires are the same size, speed rating, and load-carrying capacity. Use only the tire combinations recommended on the decal. If you do not follow these precautions, your vehicle may not drive properly and safely.

WARNING

Make sure that all replacement tires are of the same size, type, load-carrying capacity, and tread design (e.g. "All Terrain", etc.), as originally offered by Ford.

Maintenance and Care

WARNING

Do not replace your tires with "high performance" tires or larger size tires.

WARNING

Use of aftermarket wheel assemblies may damage your vehicle or cause accidents resulting in serious injuries.

WARNING

Failure to follow these precautions may adversely affect the handling of the vehicle and make it easier to lose control and roll over.

Tires that are larger or smaller than your vehicle's original tires may affect the accuracy of your speedometer and odometer.

Information About Tire Quality Grades

New vehicles are fitted with tires that have their Tire Quality Grade (described below) molded into the tire's sidewall. These Tire Quality Grades are determined by standards that the United States Department of Transportation has set.

Tire Quality Grades apply to new pneumatic tires for use on this vehicle. They do not apply to deep tread, winter-type snow tires, space-saver or temporary use spare tires, tires with nominal rim diameters of 10 to 12 inches (254-305 mm) or limited production tires as defined in Title 49 Code of Federal Regulations Part 575.104(c)(2).

U.S. Department of Transportation — Tire quality grades: The U.S. Department of Transportation requires Ford to give you the following information about tire grades exactly as the government has written it.

Treadwear

The treadwear grade is a comparative rating based on the wear rate of the tire when tested under controlled conditions on a specified government test course. For example, a tire graded 150 would wear one and one-half (1 1/2) times as well on the government course as a tire graded 100. The relative performance of tires depends upon the actual conditions of their use, however, and may depart significantly from the norm due to variations in driving habits, service practices and differences in road characteristics and climate.

Traction A B C

The traction grades, from highest to lowest, are A, B, and C, and they represent the tire's ability to stop on wet pavement as measured under controlled conditions on specified government test surfaces of asphalt and concrete. A tire marked C may have poor traction performance. Warning: The traction grade assigned to this tire is based on braking (straight ahead) traction tests and does not include cornering (turning) traction.

Temperature A B C

The temperature grades are A (the highest), B, and C, representing the tire's resistance to the generation of heat and its ability to dissipate heat when tested under controlled conditions on a specified indoor laboratory test wheel. Sustained high temperature can cause the material of the tire to degenerate and reduce tire life, and excessive temperature can lead to sudden tire failure. The grade C corresponds to a level of performance which all passenger car tires must meet under the Federal Motor Vehicle Safety Standard No. 109. Grades B and A represent higher levels of performance on the laboratory test wheel than the minimum required by law. Warning: The temperature grade for this tire is established for a tire that is properly inflated and not overloaded. Excessive speed, underinflation, or excessive loading, either separately or in combination, can cause heat buildup and possible tire failure.

Maintenance and Care

Snow Chains

The tires on your vehicle have all-weather treads that provide traction in rain or snow. However, during the winter months in some climates, you may need to use chains with your tires. Use tire chains with P205/70R15 tires only.

Do not use chains when using a temporary spare. For full size tires, use chains on the tires only in an emergency or if the law requires them where you live. When you use the tire chains:

- Make sure the chains are the right size for your tires. Use only SAE Class "S" chains. Other types may damage your vehicle.
- Put chains on tightly with the ends held down securely. Follow the chain manufacturer's instructions.
- Drive slowly. If you can hear the chains rub or bang against your vehicle, stop the vehicle and tighten the chains. If you continue to hear the chains rub or bang against your vehicle, remove the chains to prevent damage to your vehicle.
- Avoid fully loading your vehicle if possible.
- Remove tire chains at the first opportunity after using them on snow and ice. Do not use the chains on dry roads.

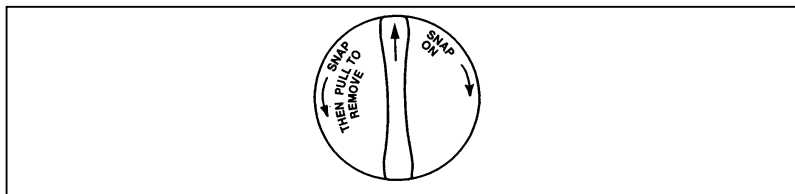
Be sure:

- The chains are fully tightened
- The vehicle is driven below 30 MPH (50 km/h)
- The vehicle is lightly loaded
- To avoid sharp turns

Make sure your suspension insulators and bumpers are not missing or worn to avoid damage to your vehicle.

Filling Your Fuel Tank

1. Turn the engine off. After opening the fuel door (located on the driver side of the vehicle), remove the cap carefully and slowly by turning it counterclockwise 1/4 turn until it stops. Pull to remove the cap. A tether attaches the cap to the fuel filler pipe.



WARNING

The fuel system may be under pressure. If the fuel cap is venting vapor or if you hear a hissing sound, wait until it stops before completely removing the cap. Otherwise, fuel may spray out and injure you or others.

2. Make sure that you pump unleaded fuel and put the nozzle all the way inside the fuel filler pipe.

NOTE: To help reduce early nozzle shutoffs and fuel spillage, park your vehicle so that the fuel filler door is not downhill. Do not tilt or turn the nozzle upside down when filling. Avoid excessively fast fuel dispensing rates (over 10 gallons [38 liters] per minute).

NOTE: If you spill any fuel on the body of your vehicle, clean it off immediately. The fuel may dull or soften the paint if you do not wash it off.

Maintenance and Care

3. To replace the fuel cap, align the tabs on the cap with the notches on the filler pipe. Turn it clockwise until it stops.
4. Push the fuel door closed.

If the Service Engine Soon warning light comes on and stays on when you start the engine, the fuel cap may not be properly seated. Turn off the engine, remove the fuel cap and replace it, being careful to align the cap properly. For more information, see *Warning lights* in the Index.

If you lose the fuel cap, replace it with an authorized Motorcraft or equivalent part.

 WARNING
--

<p>If you do not use the proper fuel cap, the pressure in the fuel tank can damage the fuel system or cause it to work improperly in a collision.</p>
--

NOTE: If you replace your fuel cap with an aftermarket fuel filler cap, the customer warranty may be void for any damage to the fuel tank and/or fuel system.

Choosing the Right Fuel

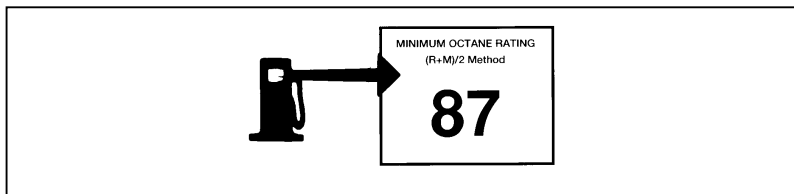
Use only UNLEADED FUEL. Using leaded fuel is prohibited by federal law. Any vehicle damage may not be covered by your warranty.

Your vehicle was not designed to use fuel containing manganese-based additives such as MMT. Additionally, vehicles certified to California emission standards (indicated on the underhood Vehicle Emissions Control Information label) are designed to operate on California reformulated gasolines. If California reformulated gasoline is not available when you refuel, your vehicle can be operated on non-California fuels. However, even though your engine will perform adequately on

other gasolines, the performance of the emission control devices and systems may be adversely affected. Repair of damage caused by using a fuel that your vehicle was not designed for may not be covered by your warranty.

Octane recommendations

Your vehicle is designed to use regular gasoline with an (R+M)/2 octane rating of 87. We do not recommend gasolines labeled as "regular" in high altitude areas that are sold with octane ratings of 86 or even less.



Typical octane rating label

Do not be concerned if your vehicle sometimes knocks lightly. However, if it knocks heavily under most driving conditions on the recommended octane fuel, see your dealer or a qualified service technician to prevent any engine damage.

Fuel quality

If you are experiencing starting, rough idle or hesitation problems, try a different brand of fuel. If the condition persists, see your dealer or a qualified service technician.

The American Automobile Manufacturers Association (AAMA) issued a gasoline specification to provide information on high quality fuels that optimize the performance of your vehicle. We recommend the use of gasolines that meet the AAMA specification if they are available.

Maintenance and Care

It should not be necessary to add any aftermarket products to your fuel tank if you continue to use a high-quality fuel.

Cleaner air

Ford approves the use of gasolines to improve air quality, including reformulated gasolines, that contain oxygenates such as a maximum of 10% ethanol or 15% MTBE. There should be no more than 5% methanol with cosolvents and additives to protect the fuel system.

Safety Information Relating to Automotive Fuels

 WARNING
Automotive fuels can cause serious injury or death if misused or mishandled.

Gasoline and other automotive fuels are extremely flammable. Turn your vehicle off and do not smoke while refueling your vehicle. Keep sparks and other sources of ignition away from fuels.

Automotive fuels can be harmful or fatal if swallowed. Never attempt to siphon any fuel by mouth.

If any fuel is swallowed, call a physician or poison control center immediately. **Do not delay calling a physician merely because no adverse effects are noticed at first; the toxic effects of fuels may not become apparent for many hours.**

If gasoline is swallowed, do not induce vomiting. If a gasoline-methanol blend is swallowed, induce vomiting under the direction of a physician or poison control center.

Gasoline and gasoline-methanol blends may contain small amounts of carcinogens, such as benzene. Long-term exposure to unleaded gasoline vapors has caused cancer in laboratory animals. Excessive inhalation of fuel vapors can cause headache, dizziness, nausea, poor coordination, and other symptoms which could interfere with your ability to safely operate your vehicle. Avoid breathing vapors while refueling. If fuel vapors are inhaled in excessive quantities, move the victim to fresh air and seek medical attention.

Fuels can also be harmful if absorbed through the skin. Be careful not to splash fuel on yourself or your clothing. If fuel is splashed on the skin, promptly remove contaminated clothing and wash the skin thoroughly with soap and water.

Fuels can cause severe eye irritation and possibly eye damage. If fuel is splashed in the eyes, remove contact lenses (if worn), flush with large amounts of water for 15 minutes, and seek medical attention.

If you are taking the medication "Antabuse" or other forms of disulfiram for the treatment of alcoholism, vapor or skin contact with a gasoline-methanol blend may cause the same kind of adverse reaction as drinking an alcoholic beverage. In sensitive individuals, serious personal injury or sickness could result. Consult a physician promptly if you experience an adverse reaction.

NOTE: Avoid running out of fuel because this situation may have an adverse effect on modern powertrain components.

Maintenance and Care

Running Out of Fuel

If your vehicle runs out of fuel, try to stop on level ground away from traffic. Add at least one gallon (4 liters) of fuel to start your vehicle again. If your vehicle is not on level ground, you may need as much as five gallons (20 liters) of fuel to start it.

You may need to turn the ignition to START several times before engaging the starter (leaving it in that position several seconds each time) before the fuel system starts to pump fuel from the tank to the engine.

Fuel Economy

Fuel economy is an estimate of the efficiency of your vehicle and can be calculated as Miles Per Gallon (MPG) or Liters Per 100 Kilometers (L/100K).

To calculate the fuel economy:

1. Fill the tank completely and record the initial odometer reading.
2. Every time you buy fuel record the amount (in gallons or liters) purchased.
3. Divide the total number of miles that you have driven by the total number of gallons that your vehicle has used. This will give you the average numbers of miles per gallon.

In metric, multiply the number of liters used by 100 and divide the answer by the number of kilometers traveled. This will give you the number of liters used per 100 km.

Comparisons With Environmental Protection Agency (EPA) Fuel Economy Estimates

EPA fuel economy figures are obtained from laboratory tests under simulated road conditions and therefore are estimates which may not reflect the actual conditions you experience. The tests also do not exactly duplicate your personal style of driving, including all your stops, starts, and lane changes. Other factors that may affect fuel economy include using the air conditioning, driving speed, vehicle load and tire inflation pressure. The EPA fuel economy estimate is not a guarantee that you will achieve the fuel economy shown.

Improving Fuel Economy

You can improve the fuel economy for your vehicle in three ways:

1. Maintain your vehicle effectively. A well-tuned, properly maintained vehicle gives you better fuel economy. Follow the schedules for maintaining your vehicle that are in the *Maintenance Schedule* booklet.
2. Drive your vehicle efficiently. Change your driving habits to conserve fuel:
 - Do not drive with your foot on the brake.
 - Watch traffic so that you do not have to stop suddenly.
 - Do not accelerate suddenly. Drive at a steady speed whenever you can.
 - Do not let the engine idle for a long time.
 - Do not carry loads that are too heavy. To find out the limits for the loads that your vehicle can carry, see *Driving with a heavy load* in the Index.

Maintenance and Care

- Keep the tires properly inflated. To find out the recommended tire pressure, see *Checking the pressure of the tires* later in this chapter.
- Use your air conditioning system wisely. To find out about fuel economy and air conditioning, see *Climate control systems* in the Index.

In addition to your individual driving habits, optional equipment, such as air conditioning, can have a significant effect on fuel economy. Various aftermarket add-on items that increase aerodynamic drag can also reduce fuel economy.

Emission Control System

Your vehicle is equipped with a catalytic converter which enables your vehicle to comply with applicable exhaust emission requirements.

To make sure that the catalytic converter and the other emission control parts continue to work properly:

- Use only unleaded fuel.
- Avoid running out of fuel.
- Never turn off the ignition while your vehicle is moving, especially at high speeds.
- Have the services listed in your *Maintenance Schedule* booklet performed according to the specified schedule. The scheduled maintenance services are required because they are considered essential to the life and performance of your vehicle and to its emission system.

⚠️ WARNING

Do not park, idle, or drive your vehicle in dry grass or other dry ground cover. The emission system heats up the engine compartment and exhaust system, which can start a fire.

⚠️ WARNING

Do not remove the floor carpet in your vehicle. Emission controls cause high exhaust temperatures under the floor.

⚠️ WARNING

Exhaust leaks may result in the entry of harmful and potentially lethal fumes into the passenger compartment. Under extreme conditions excessive exhaust temperatures could damage the fuel system, the interior floor covering, or other vehicle components, possibly causing a fire.

Watch for fluid leaks, strange odors, smoke and loss of oil pressure. Also watch for the charge warning light, the check engine light, or the temperature warning light. These sometimes indicate that the emission system is not working properly.

Do not make any unauthorized changes to your vehicle or engine. Changes that cause more unburned fuel to reach the exhaust system can increase the temperature of the engine or exhaust system.

By law, anyone who manufactures, repairs, services, sells, leases vehicles, trades vehicles, or supervises a fleet of vehicles is not permitted to intentionally remove an emission control device or prevent it from working. In some of the United States and in Canada, vehicle owners may be liable if their emission control device is removed or is prevented from working.

Maintenance and Care

In general, maintenance, replacement, or service of the emission control devices or systems in your new Ford Motor Company vehicle or engine may be performed at your expense by any automotive repair establishment or individual using automotive parts equivalent to those with which your vehicle or engine was originally equipped.

Ford strongly recommends the use of genuine Ford replacement parts. If other than Ford or Motorcraft parts or Ford authorized remanufactured parts are used for maintenance replacements or for the service of components affecting emission control, such non-Ford parts should be equivalent to genuine Ford Motor Company parts in performance and durability. It is the owner's responsibility to determine the equivalency of such parts. Please consult your warranty booklet for complete warranty information.

Never use a metal exhaust collector when you service your vehicle. If the metal collector contacts any of your vehicle's plastic trim or bumper parts they could melt or deform.

Do not drive your vehicle if it does not operate properly. See your dealer if the engine runs on for more than five seconds after you shut it off or if it misfires, surges, stalls, or backfires.

Information about your vehicle's emissions control system is on the Vehicle Emission Control Information decal located on or near the engine. This decal identifies engine displacement and gives some tune-up specifications.

How to Prepare Your Vehicle for Inspection/Maintenance (I/M) Testing

In some localities it may become a legal requirement to pass an Inspection/Maintenance (I/M) test of the On-Board Diagnostic (OBD) II system. If the vehicle's powertrain system or its battery has just been serviced, the OBD II system is reset to a not ready for I/M testing condition. To prepare for I/M testing, the law specifies that additional mixed city and highway driving is required to complete the check of the OBD II system.

The driving modes required to reach the ready condition consist of a minimum of 30 minutes of city and highway driving as described below:

- At least twenty minutes driving in stop and go, city type traffic with at least four idle periods.
- At least ten minutes of driving on an expressway or highway.

Before completing the above driving modes, the engine must be warmed up and at operating temperature. Once started, the vehicle must not be turned off during these driving modes.

Lights

It is a good idea to check the operation of the following lights frequently:

- headlamps
- tail lamps
- brakelamps
- hazard flasher
- turn signals
- license plate lamps
- fog lamps

Maintenance and Care

The alignment of your headlamps should be checked if:

- oncoming motorists frequently signal you to turn off your vehicle's high beams when you do not have the high beams on
- the headlamps do not seem to give you enough light to see clearly at night
- the headlamp beams are not pointed slightly down and to the right

Replacing the Headlamp Bulb

The headlamps on your vehicle use replaceable bulbs. When the lamp burns out, simply replace the bulb, rather than the whole lamp.

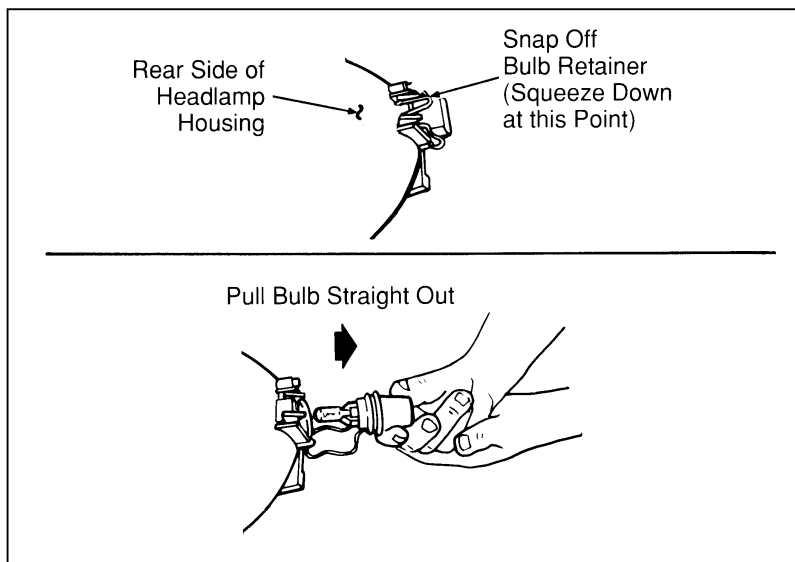
 WARNING
--

<p>Handle a halogen headlamp bulb carefully and keep out of children's reach. Grasp the bulb only by its plastic base and do not touch the glass. The oil from your hand could cause the bulb to break the next time the headlamps are operated.</p>

Do not remove the burned out bulb unless you can immediately replace it with a new one. If a bulb is removed for an extended period of time, contaminants may enter the headlamp and affect its performance.

To remove the headlamp bulb:

1. Make sure that the engine is off and the headlamp switch on the instrument panel is in the OFF position.
2. Lift the hood and locate the headlamp bulb installed in the rear of the headlamp. Remove the electrical connector from the bulb by pulling the connector away from the bulb assembly.



Headlamp bulb removal

3. Squeeze the bulb retaining clip toward the bulb until it releases. **Keep the clip.** You must use it again to hold the new bulb in place.
4. Carefully remove the bulb assembly from its socket by gently pulling it rearward without turning.
5. Do not touch the bulb with your skin or you could shatter the bulb. Always grasp the bulb assembly from the plastic base.
6. Be sure that you have the proper replacement bulb ready before you discard the burned out bulb.

Maintenance and Care

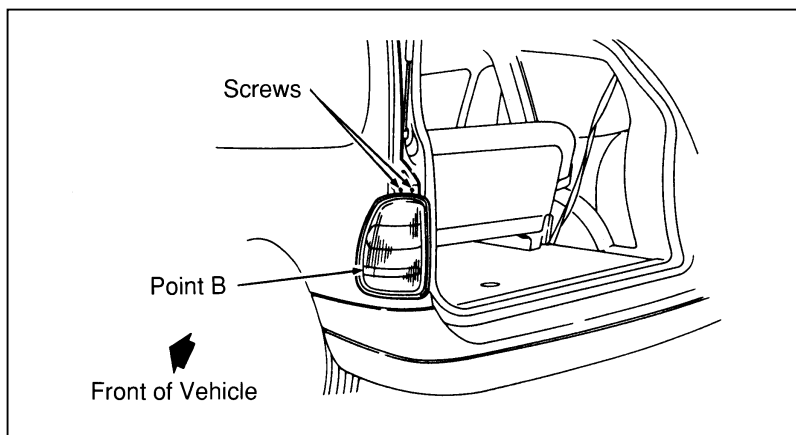
To install a bulb:

1. With the flat side of the bulb's plastic base facing upward, insert the glass end of the bulb into the socket. You may need to turn the bulb left or right to line up the grooves in the plastic base with the tabs in the socket. When the grooves are aligned, push the bulb into the socket until the plastic base contacts the rear of the socket. Do not touch the glass with your fingers.
2. Snap the retaining clip over the plastic base.
3. Push the electrical connector into the rear of the plastic base until it snaps, locking it into place.
4. Turn the headlamps on and make sure that they work properly. If the headlamp was correctly aligned before you changed bulbs, you should not need to align it again.

Replacing the Taillamp Bulbs

To remove a bulb:

1. Open the liftgate.
2. Remove two screws along top edge of taillamp lens.
3. Grasp lens with fingers at point B and pull side of lens out until snap attachment releases.



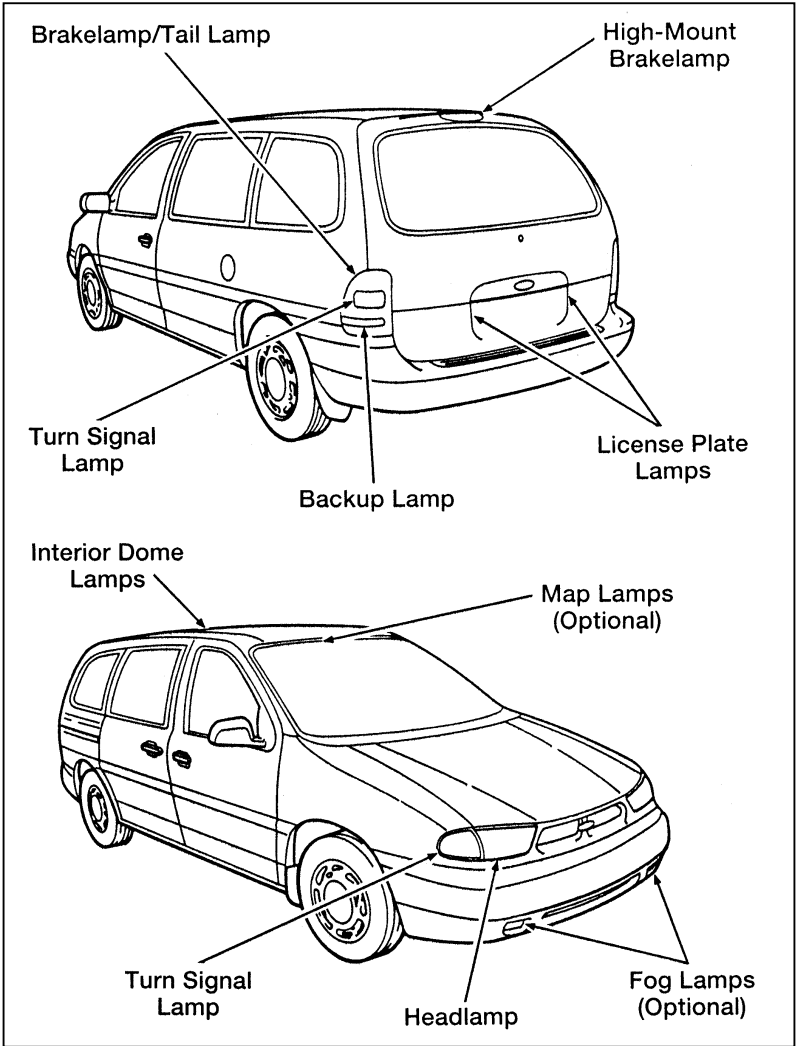
Taillamp lens removal

4. Grasp lens along liftgate opening edge and pull straight rearward until snap attachment releases.
5. Remove bulb and socket by twisting to unlock and pulling straight out.
6. Remove bulb from socket by pulling straight out from socket.

Maintenance and Care

To install a taillamp bulb:

1. Insert new bulb into socket by pushing bulb until it is locked in position.
2. Install socket into lamp by aligning socket to lamp and turning clockwise until locked in place.
3. Align pins along liftgate edge with holes in body and snap attachment into retainer.
4. Rock lens around on outer edge and snap in second snap attachment.
5. Replace two screws along top edge of lens.



Light bulb locations

Maintenance and Care

Replacing The Fog Lamp Bulb

To remove a bulb:

1. Disconnect wiring connector from lamp.
2. Rotate bulb and socket to remove from lamp.

To install a bulb:

1. Install bulb and socket into lamp and rotate.
2. Connect wiring connector to lamp.

Bulb replacement chart

Function	Trade Number
Front park/Turn lamp	3157-NAK
Headlamps — high and low beam	9007
Front side marker lamp	916-NA
Rear license plate lamp	168
High-mount brakelamp	912
Brakelamp/Tail lamp	3157K
Backup lamp	3156K
Cargo lamp	T-562
Rear turning lamp	3156K
Dome lamp	912
Map lamps/Dome lamp (opt.)	578
Underhood lamp	906
Stepwell lamp	T-562
Front seat footwell	194
Door mounted courtesy lamp	168
Cigar lighter illumination	194
Headlamp switch illumination	194
Second row reading lamp	578
Fog lamps	899

NA = Amber color

Cleaning Your Vehicle

Washing and Polishing Your Vehicle

Wash the outside of your vehicle, including the underside, with a mild detergent.

DO NOT:

- Wash your vehicle with hot water
- Wash your vehicle while it sits in direct sunlight
- Wash your vehicle while the body is hot

Pollen, bird droppings and tree sap can damage the paint, especially in hot weather. Wash your vehicle as often as necessary to keep it clean.

Take similar precautions if your vehicle is exposed to chemical industrial fallout.

Paint damage resulting from fallout is not related to a defect in paint materials or workmanship and therefore is not covered by warranty. Ford, however, believes that continual improvement in customer satisfaction is a high priority. For this reason, Ford has authorized its dealers to repair, at no charge to the owner, the surfaces of new vehicles damaged by environmental fallout within 12 months or 12,000 miles (20,000 km) of purchase, whichever comes first. Customers may be required to bring their vehicle in for inspection by a Ford representative.

Polish your vehicle to remove harmful deposits and protect the finish.

Cleaning Chrome and Aluminum Parts

Wash chrome and aluminum parts with a mild detergent. Do not use steel wool, abrasive cleaners, fuel, or strong detergents.

Cleaning Plastic Parts

Some of your vehicle's exterior trim parts are plastic. Clean with a tar and road oil remover if necessary. Use a vinyl cleaner for routine cleaning.

Do not clean plastic parts with thinners, solvents or petroleum-based cleaners.

If you have your vehicle rustproofed, remove oversprayed rustproofing with a tar and road oil remover. If rustproofing is not removed from plastic and rubber parts, it can cause deterioration.

Cleaning the Safety Belts

Clean the safety belts with any mild soap solution that is recommended for cleaning upholstery or carpets. Do not bleach or dye the belt webbing because this may weaken it.

Your Built-In Child Seat may be cleaned with mild soap and water. Do not use household cleaners as they may weaken the webbing or damage the plastic parts. For your convenience, the liner can be removed, machine-washed, and air-dried.

Cleaning the Instrument Panel Lens

Clean the instrument panel lens with a soft cloth and a glass cleaner, such as Ford Ultra-Clear Spray Glass Cleaner, or equivalent. Do not use paper towel or any abrasive cleaner to clean the lens as these may cause scratches.

Cleaning the Exterior Lamps

Do not use dry paper towel, chemical solvents or abrasive cleaners to clean the lamps, as these may cause scratches or crack the lamps.

Maintenance and Care

Cleaning the Interior Lamps

Your interior dome lamps and map lamps are plastic and should be cleaned with a mild detergent diluted in water. Rinse them with clear water.

Cleaning the Seats

Leather and vinyl

For routine cleaning, wipe the surface with a soft, damp cloth. For more thorough cleaning, wipe the surface with a leather cleaner or a mild soap.

Fabric

Remove dust and loose dirt with a whisk broom or a vacuum cleaner. Remove fresh spots immediately. Follow the directions that come with the cleaner.

NOTE: Before using any cleaner, test it on a small, hidden area of fabric. If the fabric's color or texture is adversely affected by a particular cleaner, do not use it.

Cleaning the Wheels

Wash the wheels with the same detergent you use to wash your vehicle's body. Do not use acid-based wheel cleaners, steel wool, abrasives, fuel, or strong detergents. These substances will damage protective coatings. Use tar and road oil remover to remove grease and tar.

Your vehicle was not designed to use fuel containing manganese-based additives such as MMT. Additionally, vehicles certified to California emission standards (indicated on the underhood Vehicle Emissions Control Information label) are designed to operate on California reformulated gasolines. If California reformulated gasoline is not available when you refuel, your vehicle can be operated on non-California fuels. However, even though your engine will perform adequately on other gasolines, the performance of the emission control devices and systems may be adversely affected. Repair of damage caused by using a fuel that your vehicle was not designed for may not be covered by your warranty.

Your vehicle is designed to use **regular** gasoline with an (R+M)/2 octane rating of 87. We do not recommend gasolines labeled as "regular" in high altitude areas that are sold with octane ratings of 86 or even less.

Capacities and Specifications

Motorcraft Parts

Component	Part Number	
	3.0L	3.8L
Air filter	FA-1043	FA-1616
Battery		BXT-65-650
Standard	BXT-59	
Optional	BXT-65-650 BXT-65-750***	BXT-65-750
Fuel filter	FG-872	FG-872
Oil filter	FL-400S	FL-400S
Spark plug*	AWSF-32PP**	AWSF-42EE****
PCV valve	EV-155	EV-152

* Torque to 7-15 ft.lb (9.5-20 N•m)

** If any spark plug needs to be removed for examination, each spark plug removed must be reinstalled in the same cylinder. Cylinders #1, #2, and #3 have a "PG" suffix. Cylinders #4, #5, and #6 have a "P" suffix. If any spark plug needs to be replaced, use only spark plugs with the service part number suffix letters "PP" as shown on the engine decal.

*** Required for dual A/C 3.0L.

**** If any spark plug needs to be removed for examination, each spark plug removed must be reinstalled in the same cylinder. Cylinders #1, #2, and #3 have a "EG" suffix. Cylinders #4, #5, and #6 have a "E" suffix. If any spark plug needs to be replaced, use only spark plugs with the service part number suffix letters "EE" as shown on the engine decal.

Refill Capacities

Engine	3.0L		3.8L	
Component	U.S.	Metric	U.S.	Metric
Cooling System				
Without rear heater	12.0 qts	11.3 liters	12.0 qts	11.3 liters
With rear heater	14.0 qts	13.2 liters	14.0 qts	13.2 liters
Engine oil				
With filter change	4.5 qts	4.3 liters	4.5 qts	4.3 liters
Without filter change	4.0 qts	3.8 liters	4.0 qts	3.8 liters
Automatic transaxle fluid	12.25 qts	11.6 liters	12.25 qts	11.6 liters
Fuel tanks (gallons/liter)				
LX/ Premium package	----	----	25 gals.	94.6 liters
GL (Standard)	20.0 gals.	75.5 liters	20 gals.	75.5 liters
(Optional)	----	----	25 gals.	94.6 liters

Lubricant Specifications

ITEM	FORD PART NAME	FORD PART NO.	FORD SPECIFICATION
Brake Master Cylinder	Ford High Performance DOT3 Brake Fluid	C6AZ-19542-AB	ESA-M6C25-A
Door Weatherstrips	Silicone Lubricant	COAZ-19553-AA	ESR-M13P4-A
Engine Coolant	Ford Premium Cooling System Fluid	E2FZ-19549-AA	ESE-M97B44-A
Engine Oil	Motorcraft Super Premium 5W30	XO-5W30-QSP	ESE-M2C153-F and API Certification Mark
Hood Latch and Auxiliary Catch, Door and Liftgate Hinges	Multi-Purpose Grease Spray	D7AZ-19584-AA	ESR-M1C159-A and ESB-M1C93-A
Power Steering Pump Reservoir	Motorcraft Type F Power Steering Fluid	E6AZ-19582-AA	ESW-M2C33-F
Transaxle Automatic Overdrive	Motorcraft MERCON®	XT-2-QDX	MERCON®
Wheel Bearings, Rear	Motorcraft Premium Long Life Grease	XG-1-C or XG-1-K	ESA-M1C75-B

Reporting Safety Defects

Reporting Safety Defects (U.S. only)

If you believe that your vehicle has a defect which could cause an accident or could cause injury or death, you should immediately inform the National Highway Traffic Safety Administration (NHTSA) in addition to notifying Ford Motor Company.

If NHTSA receives similar complaints, it may open an investigation, and if it finds that a safety defect exists in a group of vehicles, it may order a recall and remedy campaign. However, NHTSA cannot become involved in individual problems between you, your dealer, or Ford Motor Company.

To contact NHTSA, you may either call the Auto Safety Hotline toll-free at 1-800-424-9393 (or 366-0123 in Washington, D.C. area) or write to: NHTSA, U.S. Department of Transportation, Washington, D.C. 20590. You can also obtain other information about motor vehicle safety from the Hotline.

Customer Assistance

Roadside Assistance

Ford Motor Company has set up a 24-hour, seven-day-a-week hotline with trained operators who put you in touch with the help you need if you experience a problem with your vehicle. This complimentary service is provided to you throughout your warranty period of 3 years or 36,000 miles (60,000 km), whichever comes first. To purchase Roadside Assistance coverages beyond this period (available through Ford Auto Club in the United States or Ford and Lincoln-Mercury dealers in Canada), contact your Ford or Lincoln-Mercury dealer. Additional Roadside Assistance coverage is unavailable in Puerto Rico and the Virgin Islands.

Roadside Assistance will cover the following:

- Mount your spare if you have a flat tire.
- Jump-start your battery if it is dead.
- Unlock your vehicle if you are locked out.
- Bring you fuel if you run out.
- Tow your vehicle if you are stranded. Even non-warranty related tows, like accidents or getting stuck in mud or snow, are covered (some exclusions apply, such as impound towing and repossession).

How to use Roadside Assistance

Your Roadside Assistance identification card can be found in the Owner Guide portfolio in your glove compartment. Complete the card and place it in your wallet for quick reference.

To receive roadside assistance in the United States call 1-800-241-FORD (in Canada call 1-800-665-2006).

Should you need to arrange for roadside assistance yourself, Ford Motor Company will reimburse the reasonable cost. To obtain information about reimbursement call 1-800-241-FORD (in Canada call 1-800-665-2006).

If You Have a Service Concern

Ford Motor Company has authorized Ford and Lincoln-Mercury dealerships to service your vehicle. This section tells you how to get service or maintenance for your vehicle.

Dealership Service and Maintenance

Your satisfaction is our #1 goal. If you have questions or concerns with your vehicle, we suggest you follow these steps:

1. Contact your Sales Representative or Service Advisor at your selling/servicing dealership.
2. If the inquiry or concern remains unresolved, contact the Sales Manager or Service Manager at the dealership.
3. If the inquiry or concern cannot be resolved at the dealership level, please contact the Ford Customer Assistance Center.

In the United States:

<p>Ford Motor Company Customer Assistance Center 300 Renaissance Center P.O. Box 43360 Detroit Michigan 48243 1-800-392-3673 (FORD) (TDD for the hearing impaired: 1-800-232-5952)</p>

Customer Assistance

In Canada:

**Ford Motor Company of Canada, Limited
Customer Assistance Centre
P.O. Box 2000
Oakville, Ontario L6J 5E4
1-800-565-3673 (FORD)**

Outside the U.S. or Canada:

**FORD MOTOR COMPANY
WORLDWIDE EXPORT OPERATIONS
1555 Fairlane Drive
Fairlane Business Park #3
Allen Park, Michigan 48101
U.S.A.
Telephone: (313) 594-4857
Fax: (313) 390-0804**

To process your request, the Ford Customer Assistance Center needs the following information:

- your telephone number(s) (both business and home)
- the name of the dealer and the city where the dealership is located
- the year and make of your vehicle
- the date purchased
- the current mileage on your vehicle
- your 17-digit Vehicle Identification Number (VIN) (shown on your owner card)

If you still have a complaint involving a warranty dispute, you may wish to contact the Dispute Settlement Board (U.S. only) or the Canadian Motor Vehicle Arbitration Plan (CAMVAP) in Canada.

The Dispute Settlement Board (U.S. Only)

The Dispute Settlement Board is:

The Dispute Settlement Board may not be available in all states. Ford Motor Company reserves the right to change eligibility limitations, modify procedures and/or to discontinue this service without notice and without incurring obligations.

What Kinds of Cases Does the Board Review?

The Board reviews all product performance and service complaints on Ford, Mercury and Lincoln cars and Ford and Mercury light trucks under warranty that have not been resolved by a dealer or Ford Motor Company, except those involving:

- a non-Ford product
- a non-Ford dealership
- a vehicle sales transaction
- request for reimbursement of consequential expenses. Expenses incidental to the warranty complaint being reviewed are eligible for consideration.
- items not covered by the new vehicle limited warranty
- alleged liability claims
- property damage where the damage is significant when compared to the economic loss alleged under the warranty dispute
- cases currently in litigation

Customer Assistance

- vehicles not used primarily for family, personal, or household purposes (except in states where the Dispute Settlement Board is required to review commercial vehicles)
- vehicle no longer in owner's possession (sold, repossessed prior to Board review)

NOTE: Complaints involving vehicles on which applicable express written new vehicle warranties have expired at receipt of your application are not eligible. Eligibility may differ according to state law. For example, see the unique brochure for California purchasers/lessees.

How Does the Board Work?

The Board consists of:

- three consumer representatives
- a Ford or Lincoln/Mercury dealer

Consumer candidates for Board membership are recruited and trained by an independent consulting firm. Dealers are chosen because of their business leadership qualities.

If the involved vehicle is within 36 months and 36,000 miles of the date of delivery (warranty start date), you have the right to make an oral presentation before the Board by indicating your choice on the application. Also, oral presentations may be requested by the Board. A decision is made by the Board by simple majority vote.

Board members will review all available information related to the complaint, including oral presentations, if necessary. They then arrive at a fair and impartial decision, decided by a simple majority.

Because the Board usually meets only once a month, some cases may take longer than 30 days to be reviewed. The Board makes every effort to resolve each case within 40 days of receiving the consumer application form.

After your case has been reviewed, the Board will mail you its decision in writing. It will also provide you with a form to indicate your acceptance or rejection of an award decision. The decisions of the board are binding on the dealer and Ford, but customers may have other options available to them under state or federal law.

The decisions of the Board, however, may be introduced into evidence by any party in subsequent legal proceedings that may be initiated.

How Do You Contact the Board?

Write to the Board at the following address to request a brochure that contains an application.

*Dispute Settlement Board
P.O. Box 5120
Southfield, MI 48086-5120*

You will be sent a brochure and a one-page customer application form. To begin the Board review process, the form should be completed and mailed to the special Board P.O. Box number shown above.

What is the Review Process?

Your application will be reviewed and if it is determined to be eligible, you will receive an acknowledgment indicating the file number assigned to your application. At the same time, your dealer and Ford Motor Company representative are asked to submit statements.

Customer Assistance

To review your case properly, the Board needs the following information:

- legible copies of all documents and maintenance or repair orders relevant to the case
- the year, make, model, and Vehicle Identification Number
- the date you bought your vehicle
- the date of repair(s) and mileage at the time of occurrence(s)
- the current mileage
- the name of the dealer who sold or serviced the vehicle
- a brief description of your unresolved concern
- a brief summary of the action taken with the dealer and Ford Motor Company
- the names (if known) of all the people you contacted at the dealership
- a description of the action you want taken to resolve your concern

Should your case NOT qualify for review, a letter of explanation will be mailed to you.

Getting Help Outside the U.S. and Canada

Before you export your vehicle to a foreign country, contact the appropriate foreign embassy or consulate to make sure local regulations do not prevent you from registering your vehicle. Officials at the embassy can also help you decide whether you should import your vehicle to that country.

Officials at the embassy or consulate can tell you where to get unleaded fuel. If you cannot get unleaded fuel or can get only fuel with an anti-knock index that is lower than your vehicle needs, contact a district or customer assistance center before you leave the U.S. or Canada.

Use of leaded fuel in your vehicle without a proper conversion may damage the effectiveness of your emissions control system and may cause engine knocking or serious engine damage. Ford Motor Company is not responsible for any damage that is caused by use of improper fuel.

You may also have difficulty importing your vehicle back into the U.S. if you use leaded fuel.

If your vehicle must be serviced while you are traveling or living in Central or South America, the Caribbean, or the Middle East, contact the nearest Ford dealership. If the dealership cannot help you, contact:

<p><i>FORD MOTOR COMPANY</i> <i>WORLDWIDE EXPORT OPERATIONS</i> <i>1555 Fairlane Drive</i> <i>Fairlane Business Park #3</i> <i>Allen Park, Michigan 48101</i> <i>U.S.A.</i> <i>Telephone: (313) 594-4857</i> <i>Fax: (313) 390-0804</i></p>

If you are in other foreign countries, contact the nearest Ford dealership. If the dealership cannot help you, they can direct you to the appropriate Ford affiliate office.

If you buy your vehicle in North America and then relocate outside of the U.S. or Canada, register your Vehicle Identification Number and new address with Ford Motor Company Export Operations.

Customer Assistance

Ford of Canada Customer Assistance

Ford Motor Company of Canada, Limited

Owners who wish to telephone the Company may contact the Customer Assistance Centre using the following telephone number or may write to the following address:

Please have your 17-digit vehicle identification number available.

**Ford Motor Company of Canada, Limited
Customer Assistance Centre
P.O. Box 2000
Oakville, Ontario L6J 5E4
1-800-565-3673 (FORD)**

Mediation/Arbitration Program (Canada Only)

In those cases where you continue to feel that the efforts by Ford and the dealer to resolve a factory-related vehicle service concern have been unsatisfactory, Ford of Canada participates in an impartial third party mediation/arbitration program administered by the Canadian Motor Vehicle Arbitration Plan (CAMVAP).

The CAMVAP program is a straight-forward and relatively speedy alternative to resolve a disagreement when all other efforts to produce a settlement have failed. This procedure is without cost to you and is designed to eliminate the need for lengthy and expensive legal proceedings.

In the CAMVAP program, impartial third-party Arbitrators conduct hearings at mutually convenient times and places in an informal environment. These impartial Arbitrators review the positions of the parties, make decisions and, where appropriate, render awards to resolve disputes. CAMVAP decisions are fast, fair and final as the arbitrator's award is binding on both you and Ford of Canada.

CAMVAP services are available in all territories and provinces, except Quebec. For more information, without charge or obligation, call your CAMVAP Provincial Administrator directly at 1-800-207-0685.

Ford Accessories for Your Windstar

Many accessories for your Windstar are available through your local authorized dealer. These accessories have been designed to meet your needs and are custom designed to complement the style and aerodynamics of your vehicle. Some of the available accessories are listed below.

Safety, Comfort, and Convenience

Comfort and Convenience

Engine Block Heater (Standard in Canada)

Remote Keyless Entry

Protection and Appearance Equipment

Aero Running Boards

Molded Running Boards

Carpet Floor Mats

Cleaners, Waxes and Polishes

Front End Cover

Front End Mini Cover

Lubricants and Oils

Side Window Shields

Styled Wheel Protector Locks

Rear Air Deflector

Door Edge Guards

Audio Equipment

CD Changer

Safety Equipment

Vehicle Security Systems

Travel Equipment

Soft Luggage Carrier

Aero Hood Deflector

Factory Luggage Rack & Adaptors

Trailer Hitch (Class II)

Console

NOTE: When adding accessories, equipment, passengers, and luggage to your vehicle, do not exceed the total weight capacity of the vehicle or of the front or rear axle (GVWR, GAWR as shown on the Safety Compliance Certification Label). Consult your dealer for specific weight information.

NOTE: Devices that emit radio frequency (RF) energy such as AM/FM radios, mobile communication systems (two-way radios, telephones) and radio controlled security systems, are subject to the rules and regulations of the Federal Communications Commission (FCC) 47 CFR Parts 2 and 15. Any such system installed in your vehicle should comply with those rules and should be installed only by a qualified technician. In addition, to insure continued compliance with the FCC's requirements, RF devices must not be modified or changed in a manner not expressly approved by Ford Motor Company.

NOTE: Mobile communication systems, particularly if not properly installed, may adversely affect the operation of the vehicle. For example, such systems, when operated, may cause the engine to stumble or stall. In addition, such systems may themselves be damaged, or their operation affected, by the operation of the vehicle. (Citizens band [CB] transceivers, garage door openers, and other transmitters whose power output is 5 watts or less, ordinarily will not affect vehicle operation.)

NOTE: Because Ford has no control over the operation or manufacture of such systems or their installation, Ford cannot assume responsibility for any adverse effects or damage if this equipment is used.

**FOR INFORMATION ON
ORDERING SERVICE
PUBLICATIONS, CONTACT:**

**U.S. RESIDENTS
CALL
HELM, INCORPORATED
1-800-782-4356**

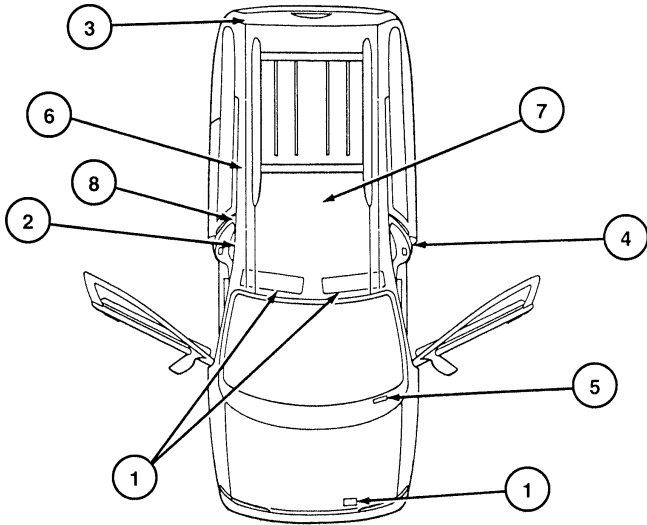
**Monday - Friday 8:00 A.M. - 6:30 P.M. EST
For Credit Card Holder Orders Only**

**CANADIAN RESIDENTS
CALL
Ford Motor Company of Canada, Ltd.
1-800-387-4966**

**Monday - Friday 8:00 A.M. - 6:30 P.M. EST
For Credit Card Holder Orders Only**

All rights reserved. Reproduction by any means, electronic or mechanical including photocopying, recording or by any information storage and retrieval system or translation in whole or part is not permitted without written authorization from Ford Motor Company.

Copyright © 1996 Ford Motor Company



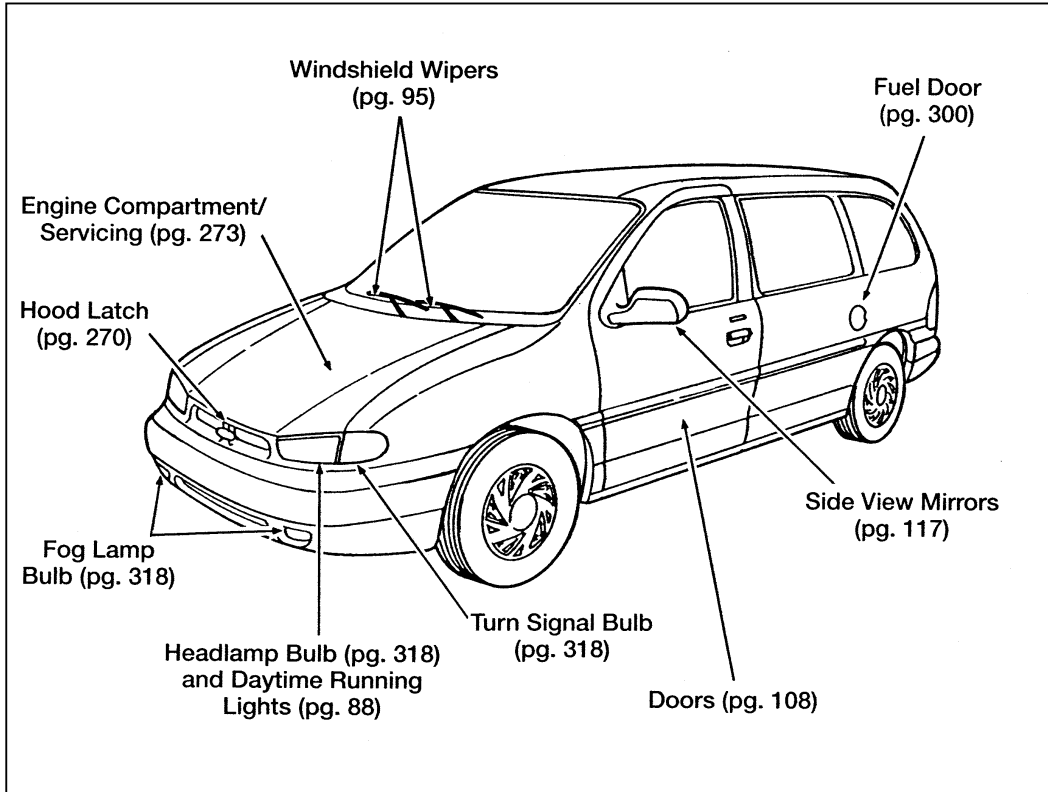
No.	Description	Refer to this label for information regarding:
1	Air Bag Warning Label	Air bag precautions
2	Child Seat Label	Child seat installation precautions
3	Fuel Pump Shut-Off Label	Fuel pump shut-off location
4	Safety Compliance Certification Label	Name and date of manufacturer, GVWR*, GAWR**
5	Vehicle Identification Number (VIN) Label	Servicing or warranty information specific to your vehicle
6	Bench Seat Stowage Hook Caution Label	Use of stowage hook caution
7	Built-in Child Seat Warning Label	Precautions regarding built-in child set safety belt use
8	Child Proof Lock Label	Operation of child proof lock feature

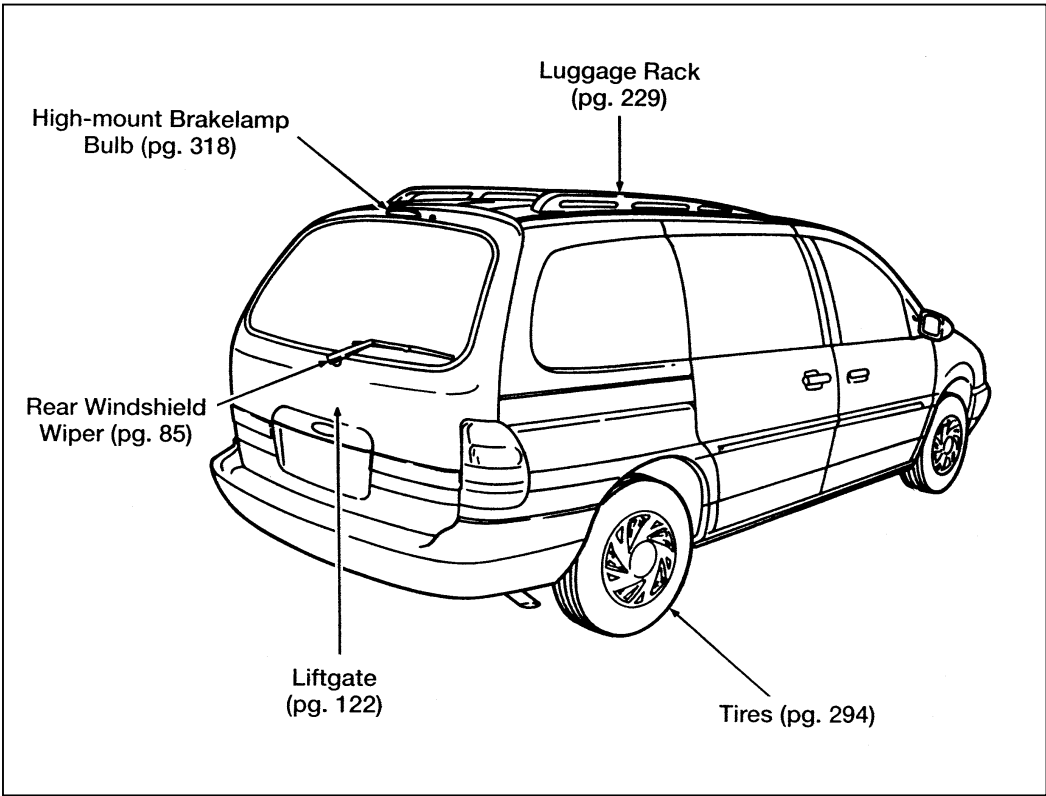
*Gross Vehicle Weight Rating

**Gross Axle Weight Rating

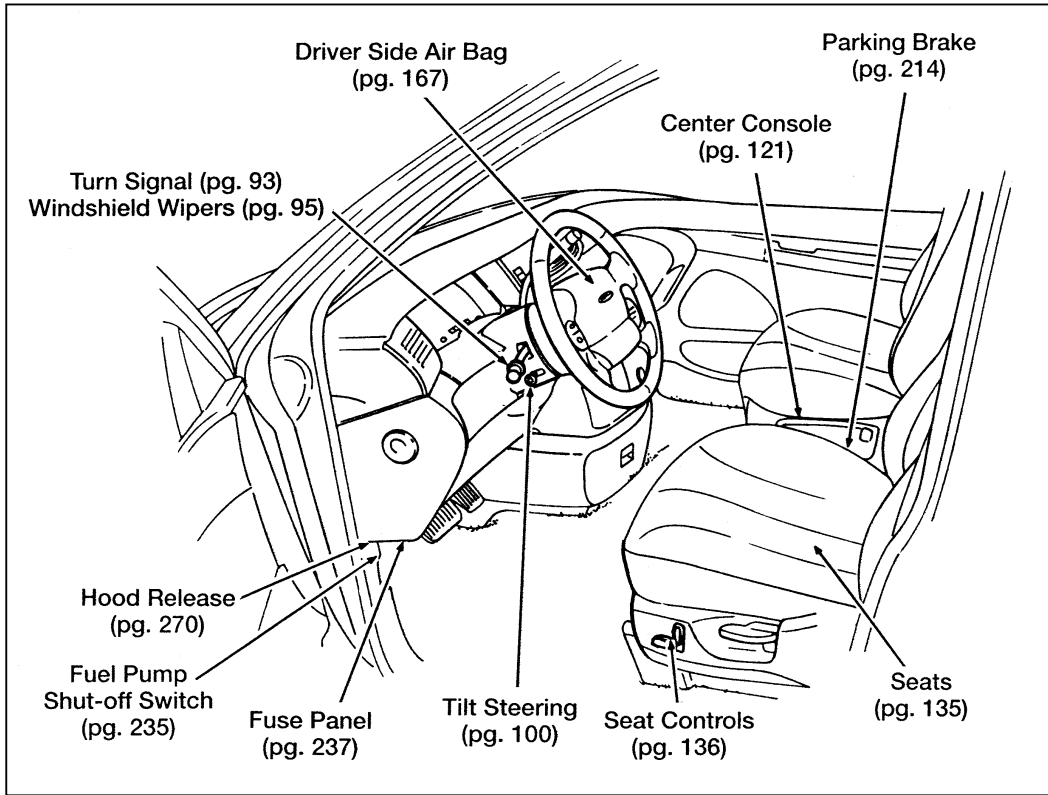
Warning label locations

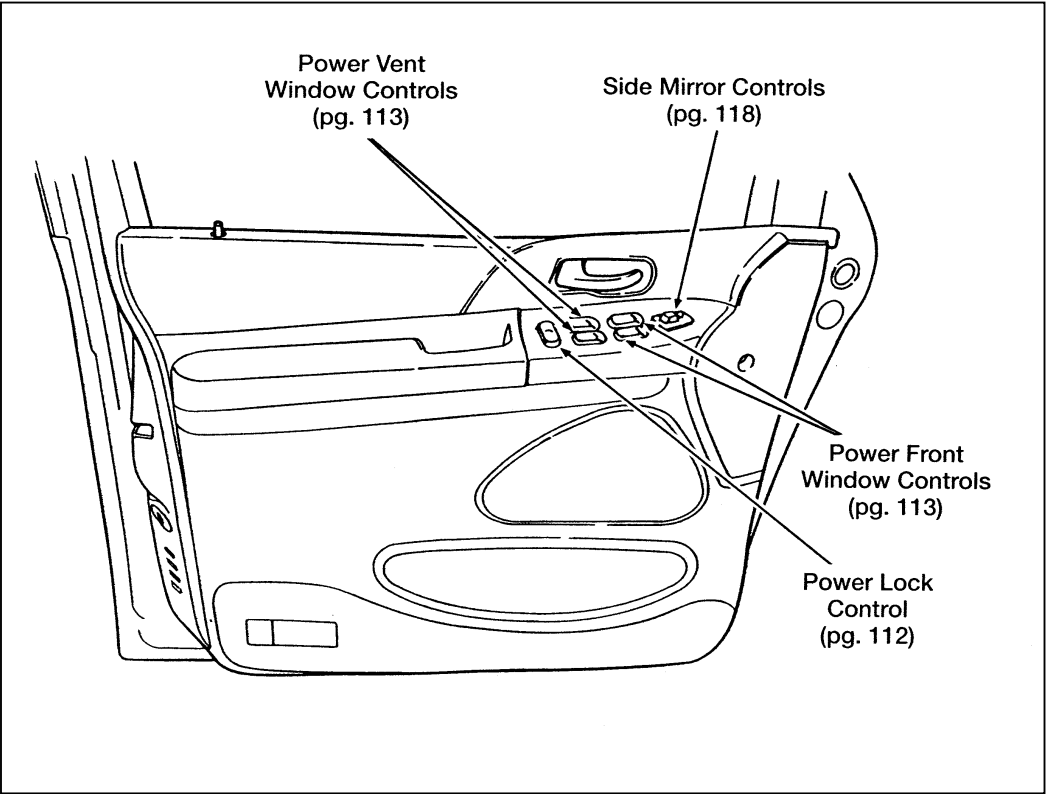
Front exterior view





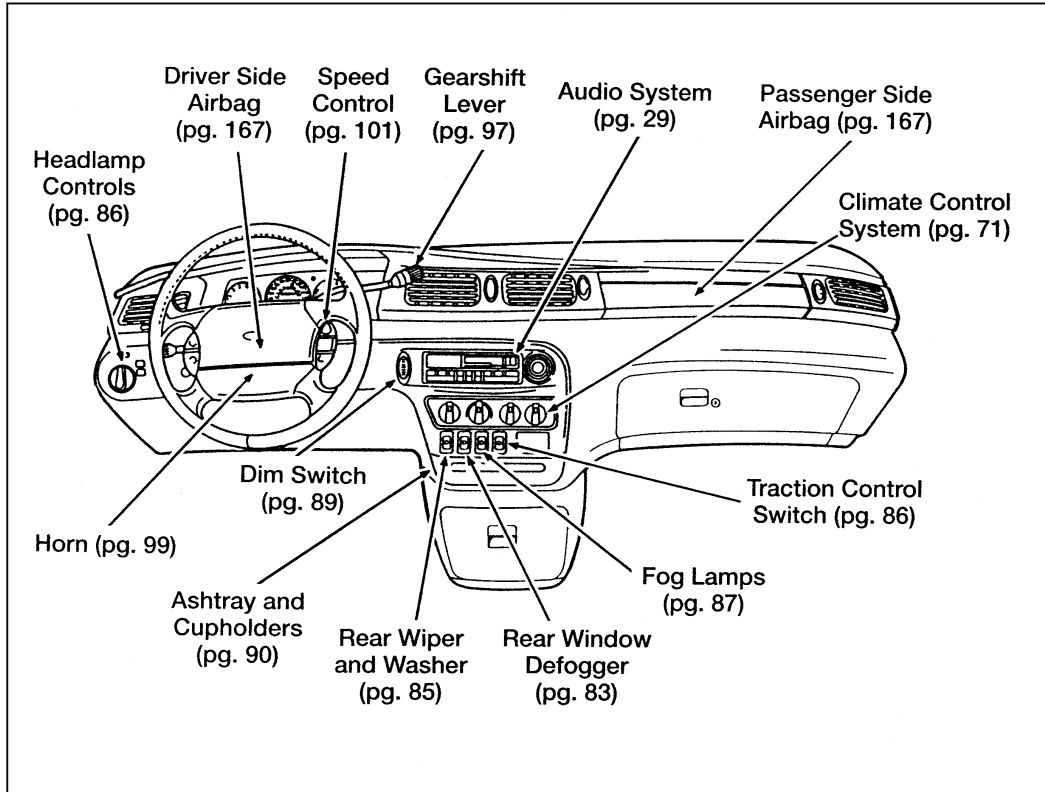
Entrance view

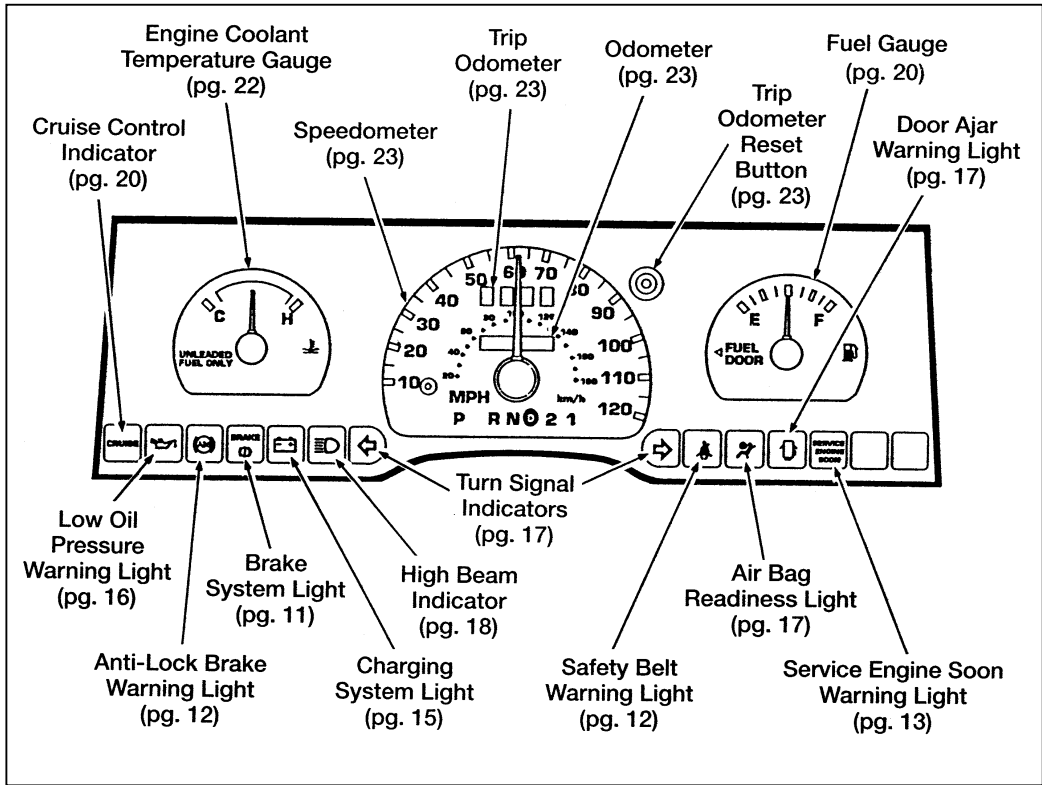




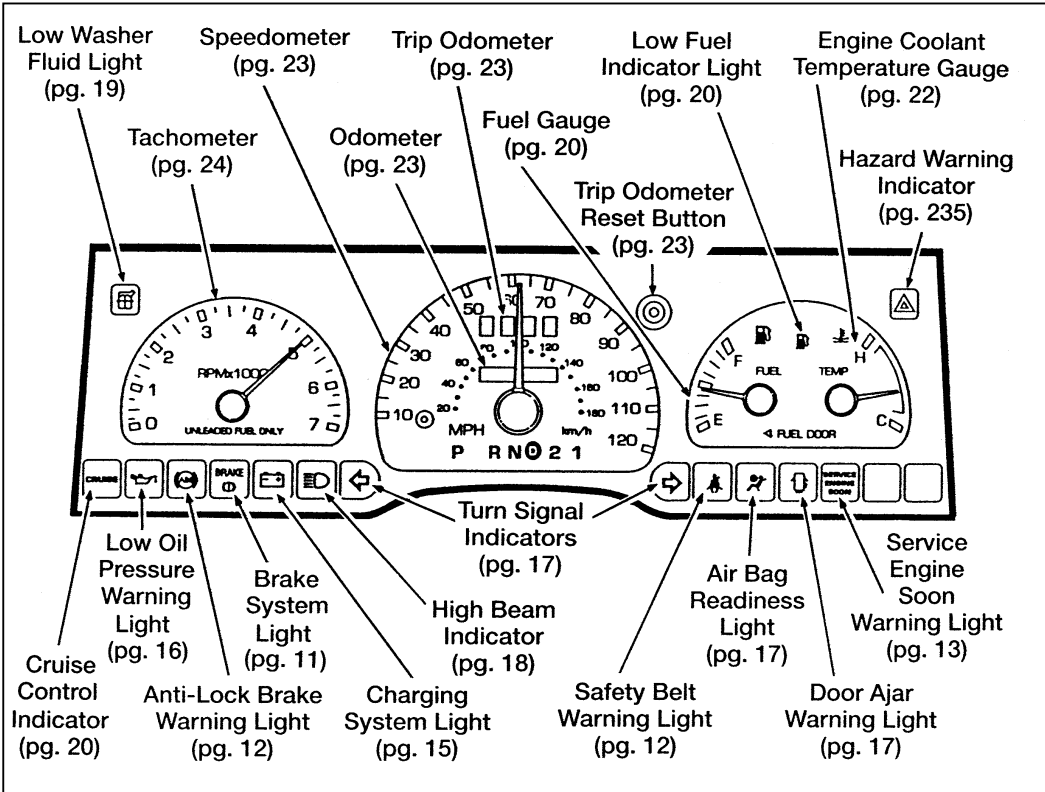
Driver's door

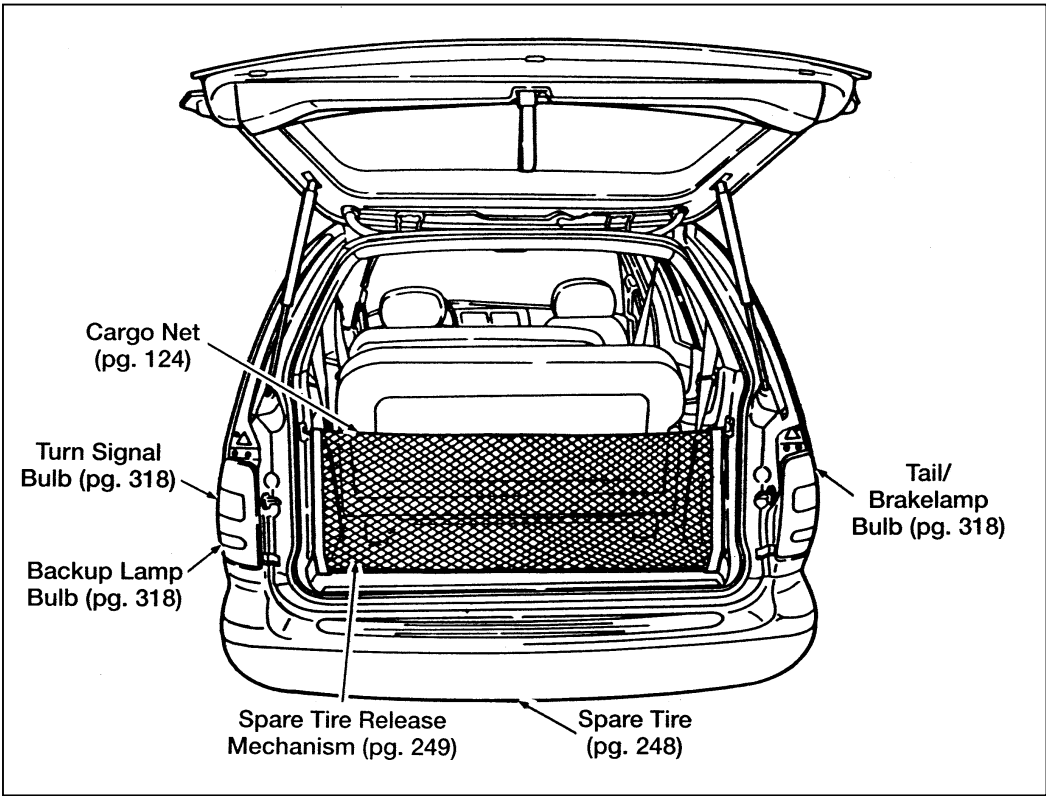
Instrument panel





Mechanical instrument cluster with tachometer





Index

A

ABS warning light (see Anti-lock brake system)	12
Accessory position on the ignition.	91
Additives, engine oil.	276
Air bag supplemental restraint system.	167–168, 188
and child safety seats	168, 187–188
description	167, 169
disposal	173
driver air bag.	167, 169
indicator light.	17
operation.	169
passenger air bag	169
proper seating	168
service and information labels	169
tone generator	173
wearing safety belts	167
Air cleaner filter, location	273
Air conditioning, manual heating and air conditioning system	73
Alarm, activating remote personal.	128
Antenna, radio (see Electronic sound system).	29, 90
Antifreeze (see Engine coolant)	282
Anti-lock brake system (ABS) description	211
see also Brake.	211
warning light	12
Anti-theft lug nuts and key.	254

Anti-theft system	
arming the system	132
description	132
disarming an untriggered system	133
disarming a triggered system	134
triggering	132–133
warning light	27
Appeals (see Dispute settlement board)	334
Assistance (see Customer assistance)	331
Audio system (see Electronic sound system)	29
Autolamp system (see Headlamps)	104
Autolock	130
Automatic transaxle	
driving with	216
fluid, adding	290
fluid, checking	288–289
fluid, refill capacities	324
fluid, specification.	325

B

Backing up	217
Basic vehicle warranty	3
Battery	290
acid, treating emergencies	262, 292
battery saver	126
charging system warning light	15
how to service	290
jumping a disabled battery.	262
maintenance-free	290
proper disposal, recycling	291
servicing	290
when storing your vehicle	328

Index

Brake fluid	279
checking and adding	279
description	279
specifications	279, 325
Brakelamp, bulb replacement	314
Brakes	211
adjustment	211
anti-lock	211
anti-lock brake system (ABS) warning light	12
applying the brakes	213
brake warning light	11, 18, 143
fluid, checking and adding	279
fluid, refill capacities	279
fluid, specifications	279, 325
front disc	211
if brakes do not grip well	213
lubricant specifications	325
master cylinder	279
new brake linings	4
noise	211, 213
parking	214
power braking	211
servicing	213, 279
stopping distances	213, 230
when storing your vehicle	328
Brake-shift interlock	217
Break-in period	4
Brights (high beams)	18

Built-in child seat, operation	175
Bulbs, replacing	
headlamps	311
specifications	318

C

Canada, customer assistance	339
Canada, warranty information	3
Canadian Motor Vehicle Arbitration Plan (CAMVAP).	339
Capacities for refilling fluids	324
Carbon monoxide in exhaust	208
Cargo net.	124
Car seats for children (see Child safety seats)	187
Cassette tape player	
(see Electronic sound system)	43, 48, 60, 63
Catalytic converter	307
CD player (see Electronic sound system).	36
Changing a tire	247
Charging system warning light	15
Childproof locks.	110
Child safety restraints	174
built-in child seat	175
child safety belts	186
child safety seats	187
Child safety seats	187
and air bags	168, 187–188
attaching with tether straps	199
automatic locking mode (retractor)	187
built-in child seat	175
in front seat	168, 187–188
in rear outboard seat	187
in rear seat	187
tether anchorage hardware.	199

Index

Chime	
headlamps on.	88
safety belt	12
Cleaning your vehicle	319
CD player and discs.	39
chrome and aluminum parts	320
exterior.	319
exterior lamps	320
fabric	321
headlamps	320
instrument panel	71, 320
instrument panel lens	320
interior.	321
interior lamps.	321
plastic parts	320
polishing	319
rustproofing	320
safety belts	320
tail lamps	320
upholstery and interior trim	321
washing	319
waxing.	319
wheels	322
Climate control system	
air conditioning.	71
heating.	71
Clock.	35, 51, 66
Cold engine starting	206
Combination lap and shoulder belts.	159

Compact disc player (see Electronic sound system) . . .	30, 36
Compact disc radio (see Electronic sound system)	30
Console, description	121
Controls, mirrors	117
Coolant (see Engine coolant)	282
checking and adding	282
drain and flush	286
preparing for storage	328
proper solution	284
refill capacities	324
specifications	283, 325
temperature gauge	22
warnings	282
Cupholder(s)	90
Customer Assistance Center, Ford (U.S.)	332
Customer Assistance Centre, Ford of Canada	339

D

Daytime running light system	88
Defrost	
rear window	83
windshield	71
Dipstick	277
automatic transaxle fluid.	289
engine oil	277
Disabled vehicle (see Towing)	268
Dispute Settlement Board	334
Doors	108
door ajar warning light	17
lubricant specifications.	325

Index

Driving under special conditions	230
bad weather	231
heavy load	233
high speed	231
high water	232
slippery roads	231
tips for safe driving	230
towing a trailer	234

E

Electrical system	
fuses	237
operating when the engine is off	91
relays	246
Electronic radio with cassette (see Electronic sound system)	60
Electronic sound system	
antenna	90
tuning the radio.	31, 43, 61
warranty and service information.	69
Electronic stereo cassette radio (see Electronic sound system)	60
Electronic stereo radio (see Electronic sound system)	60
Emergencies, roadside	
assistance.	331
battery acid spills	262, 292
fuel	303
jump-starting	262
towing	268
Emergency brake (parking brake)	214
Emission control system	307
catalytic converter.	307
emissions warranty	3

Engine	
does not start	235
fuel injected engine, starting	205
fuel pump shut-off switch	235
preparing to start	205
service points	273
storing your vehicle	326–327
Engine block heater	208
Engine coolant	282
checking and adding	282
checking hoses	286
disposal	278, 285, 290
drain and flush	286
preparing for storage	328
proper solution	278, 284–285, 290
recovery reservoir	273, 282
specifications	325
temperature gauge	22
Engine coolant temperature gauge	22
Engine fan	269
Engine oil	276
changing oil and oil filter	278
checking and adding	277
dipstick	277
disposal	278, 285, 290
engine oil pressure warning light	16
filter, specifications	323
refill capacities	324
specifications	276
synthetic oil	276–277
“break-in” oils	4–5
viscosity	276–277

Index

Entry system	
illuminated	130
remote	126
Exhaust fumes.	208
Extended Service Plan, Ford	4

F

Fan, engine fan, avoiding injury.	269
Federal Communications Commission	69
Flashers, hazard	100
Flashing the lights	95
Flat tire.	247
Fluid refill capacities.	324
Foglamps	87
Ford Dispute Settlement Board	334
Ford Extended Service Plan.	4
Ford Motor Company of Canada	339
Ford of Canada Customer Assistance Centre	339
Foreign registration	337
French owner guides, how to obtain.	3
Fuel	
calculating fuel economy.	305
capacity	324
filling your vehicle with fuel	300
filter, specifications	323
fuel gauge	20
improving fuel economy.	306
low fuel warning light.	20
quality	302
running out of fuel	305
safety information relating to automotive fuels.	303
storing your vehicle	327
treating emergencies.	303

Fuel cap, replacing	301
Fuel filter, specifications	323
Fuel gauge	20
Fuse panels	
engine compartment.	244
instrument panel	238
Fuses	
charts	240
checking and replacing	238

G

Gas mileage (see Fuel economy)	305
Gauges	
engine coolant temperature gauge	22
fuel gauge	20
odometer.	23
speedometer	23
tachometer	24
trip odometer.	23
GAWR (Gross Axle Weight Rating)	
calculating	223
definition.	222, 233
driving with a heavy load	233
location	222
Gearshift	
automatic operation	216
column-mounted	216
locking the gearshift.	91
positions	216
shifting the gears	216
shift-lock.	217

Index

GVWR (Gross Vehicle Weight Rating)	
calculating	223
definition	222
driving with a heavy load	233
location	222

H

Hazard flashers	100
Headlamps	
aiming	311
autolamp system	104
bulb specification	318
checking alignment	311
cleaning	320
daytime running lights.	88
flashing	95
high beam	94
replacing bulbs	311
turning on and off	86
warning chime	88
Head restraints	141
Heating	
manual heating and air conditioning system.	71
rear seat controls	82
High beams	
indicator light.	18
operation.	94
Hitch	225

Hood	
latch location	271
lubrication specifications	325
release lever	271
working under the hood.	269
Horn	99
Hoses, checking	286

I

Identification Number, Vehicle (VIN)	333
Idle, relearning	267, 269
Ignition	
positions of the ignition	91
removing the key	92
Indicator lamp module.	25
Indicator lights and chimes (see Lights)	7
Infant seats (see Safety seats)	174, 187
Instrument cluster	11
Instrument panel	
cleaning	71, 320
lighting up panel and interior	89
registers	71
Integrated child seat (see Built-in child seat)	175
Interval wipers	95

J

Jack	
operation.	251
positioning	251
Jump-starting your vehicle	
attaching cables.	264
disconnecting cables.	267

Index

K

Keys

positions of the ignition	91
removing from the ignition	92
stuck in lock position	92

L

Lamps

autolamp delay system	104
bulb replacement specifications chart	318
daytime running light system	88
dome lamps	105
flashing the lamps.	95
fog lamps	87
hazard flashers	100
headlamps	86
high beams.	94
illuminated entry system.	130
illuminated mirrors	108
instrument panel, dimming.	89
interior lamps.	89
map lamps	106
trailer	226
Lane change indicator (see Turn signal)	93
Lap belts	165
Liftgate	122
Lights, warning and indicator	
air bag	17
anti-lock brakes (ABS)	12
anti-theft	27
brake	11
charging system.	15
door ajar	17
hazard warning light	100
high beam	18

Lights, warning and indicator (continued)	
low fuel	20
low washer fluid	19
oil pressure.	16
safety belt	12
theft system	27
traction control system	25
turn signal indicator.	17, 93
Load limits	
GAWR.	233
GVWR.	233
trailer towing.	224, 234
Lubricant specifications	325
Luggage rack	229
Lug nuts	
anti-theft.	254
tightening sequence	260
Lumbar support pad.	137

M

Maintenance schedule and record (see separate Maintenance Schedule and Record booklet)	3
Maintenance (see servicing).	269
Mileage, calculating fuel economy.	305
Mirrors.	117
automatic dimming rearview mirror	107
dual electric remote control	118
side view mirrors (manual)	117
vanity mirror, illuminated	108
Motorcraft parts.	323

Index

N

New vehicle break-in 4

O

Odometer 23
 description 23
 trip odometer 23
Oil filter 278
Oil (see Engine oil) 276
Oil viscosity. 276
On-board diagnostic (OBD II) system 310
Overdrive. 218
Overseas offices 337

P

Panic alarm feature, remote entry system 128
Parking brake
 operation 214
 warning light 11, 18, 143
Parts (see Motorcraft Parts). 323
PCV valve, specifications 323
Power door locks 112
Power features
 door locks 112
 lumbar support 137
 mirrors. 117–118
 seats 136
 windows 113
Power steering
 dipstick 286
 driving with power steering 215
 fluid, checking and adding. 286
 fluid, specifications 325
 servicing 215

R

Radio (see Electronic sound systems)	29
Rear climate control system	82
Rearview mirror.	107
Rear window	113
defroster	83
washer.	85
washer reservoir	281
Refill capacities for fluids	324
Relays	246
Remote entry system	126
illuminated entry	130
locking/unlocking doors.	127
panic alarm	128
replacement/additional transmitters.	129
Restraints, safety (see Safety restraints)	
adult.	135
child.	174
infant	174, 187
Roadside assistance	331
Roadside emergencies	235
Roof rack	229
Rotating the tires	295

S

Safe driving tips.	230
Safety Compliance Certification Label	223
Safety information relating to automotive fuels.	303
Safety restraints	
adjusting the safety belts	159, 165
center front lap belt	165
center rear lap belt	165
cleaning the safety belts	320
extension assembly	166
for children.	174
for infants	174, 187
for pregnant women	135, 158

Index

Safety restraints (continued)	
lap and shoulder belts	159
lap belt	165
maintenance	166
replacement	166
warning light and chime	12
Safety seats for children	187
and air bags	168, 187–188
attaching with tether straps	199
automatic locking mode (retractor)	187
built-in child seat	175
in front seat	187
in rear outboard	187
in rear seat	187
tether anchorage hardware	199
Seats	135
adjusting the seats, power	136
child safety seats	187
cleaning upholstery	321
head restraints	141
lumbar support	137
Servicing your vehicle	
precautions when servicing	269
servicing when you tow	268
Shift-lock system	217
Shift positions (see Gearshift)	216
Shoulder and lap belts (see Safety restraints)	159
Shoulder belts (see Safety restraints)	159
Side mirrors	117
adjusting	117–118

Spare tire	
changing the tire	247
conventional spare	247
Spark plugs, specifications	323
Special driving conditions	230
Specification chart, lubricants	325
Speed control	
turning off	102
when towing a trailer	226
Speedometer	23
Starting your vehicle	
preparing to start your vehicle	205
starting a cold engine	206
starting your vehicle if the battery is disabled	262
Steering, power	215
Steering wheel	
horn	99
locking	91
tilting	100
Storage compartments	156
cargo net	124
center console	121
Storing your vehicle	326
Supplemental air bag readiness light	17
Supplemental Restraint System (SRS)	167

T

Tail lamps	
bulb replacement	314, 318
cleaning	320
Temperature control (see Climate control)	71
Tether anchor installation (see Child restraints).	199
Tilt steering wheel.	100
Tires	294
changing	247
checking the pressure	294
cleaning	322

Index

Tires (continued)	
inspection and maintenance	294
replacing	296
rotating	295
storing your vehicle	328
tire grades	296–297
treadwear	296, 298
wear bands.	296
Towing a trailer (see Trailer towing)	234
Towing your vehicle.	268
using wheel dollies	268
with a tow truck	268
Traction control	86
Trailer towing	
tips	226
trailer lamps	226
Transaxle	
automatic operation	216
fluid, checking and adding (automatic)	288–289
lubricant specifications.	325
Transaxle control switch	218
Transmitter (see Remote entry)	126
Trip odometer.	23
Turn signal	
indicator lights	17, 93
lever	93

U	
Used engine oil, disposal	278, 285, 290

V	
Vanity mirror	108
Variable interval wipers	95
Vehicle Identification Number (VIN)	333
Vehicle loading	
calculating the load	223
understanding loading information	233
Vehicle storage	326
Ventilating your vehicle (see Climate control)	71
Viscosity (see Engine oil).	276
Visor (see Sunvisor)	108

W	
Warning chimes	
headlamps on	88
safety belt	12
Warning lights (see Lights).	7
Warranties	3
basic.	3
Canada	3
radio.	69
Warranty Information Booklet	3
Washer fluid	95
rear window reservoir.	281
reservoir	281
warning light.	19

Index

Weight limits (GAWR, GVWR)	233
Wheel bearings lubricant specifications	325
Wheel dollies (see Towing)	268
Wheels	
anti-theft lugnuts	254
cleaning	322
covers	253
inspection and maintenance	294
Windows	113
manual windows, operating	113
power windows, operating	113
Windshield, washing.	95
Windshield washer fluid and wipers	95
checking and adding fluid	281
checking and replacing wiper blades	293
liftgate reservoir.	281
low washer fluid light	19
operation	95
specifications	281
variable interval wipers	95
Windshield wipers and washer	95
Wrecker towing	268

Service Station Information

	GL	LX/LTD	GL
Engine	3.0L SEFI	3.8L SEFI	
Fuel	Unleaded only — 87 Octane	Unleaded only — 87 Octane	
Fuel tank capacity	Standard — 20 gal. (75.7L) Optional — 25 gal. (94.6L)	25 gal. (94.6L)	Standard — 20 gal. (75.7L) Optional — 25 gal. (94.6L)
Tire size	205/70R15	P215/70R15	P205/70R15
Tire pressure	See Safety Compliance Certification Label		
Hood release	Pull lever under left side of instrument panel		
Engine oil	Use only oil displaying the American Petroleum Institute Certification Mark. SAE 5W-30 preferred.		
Engine oil capacity w/filter	4.5 qts. (4.3L)	4.2 qts. (4.0L)	
Automatic transmission fluid	Motorcraft Merconh (ATF)		
Automatic transmission fluid capacity	12.25 qts. (11.6L)		
Power steering fluid	Use only power steering fluid that meets Ford specification ESW-M2C33-F such as Ford Premium Power Steering Fluid, E6AZ-19582-AA, or equivalent		
Engine coolant capacity: with rear heater without rear heater	14.0 qts. (13.2L) 12.0 qts. (11.3L)		