



WINDSTAR

Your satisfaction is our #1 goal. If you have questions or concerns with your vehicle, we suggest you follow these steps:

1. Contact your Sales Representative or Service Advisor at your selling/servicing dealership.
2. If the inquiry or concern remains unresolved, contact the Sales Manager or Service Manager at the dealership.
3. If the inquiry or concern cannot be resolved at the dealership level, please contact the Ford Customer Assistance Center.

In the United States:

**Ford Motor Company
Customer Assistance Center
300 Renaissance Center
P.O. Box 43360
Detroit, MI 48243
1-800-392-3673 (FORD)
TDD for the hearing impaired: 1-800-232-5952**

In Canada:

**Customer Assistance Centre
Ford Motor Company of Canada, Limited
P.O. Box 2000
Oakville, Ontario L6J 5E4
1-800-565-3673 (FORD)**

Outside the U.S. or Canada:

**FORD MOTOR COMPANY
EXPORT OPERATIONS
1555 Fairlane Drive
Fairlane Business Park #3
Allen Park, Michigan 48101
Telephone: (313) 594-4857
Fax: (313) 390-0804**

All rights reserved. Reproduction by any means, electronic or mechanical, including photocopying, recording, or by any information storage and retrieval system or translation in whole or part is not permitted without written authorization from Ford Motor Company.

Copyright © 1995 Ford Motor Company

Table of Contents

| | |
|---------------------------------------|-----|
| Introductory Information | 1 |
| Safety Restraints | 7 |
| Starting Your Windstar | 55 |
| Warning Lights and Gauges | 65 |
| Instrument Panel Controls | 105 |
| Steering Column Controls | 129 |
| Features | 143 |
| Electronic Sound Systems | 195 |
| Driving Your Windstar | 235 |
| Roadside Emergencies | 261 |
| Customer Assistance | 283 |
| Reporting Safety Defects | 290 |
| Accessories | 295 |
| Servicing Your Windstar | 301 |
| Quick Index | 371 |
| Index. | 381 |
| Service Station Information | 396 |

Introductory Information

Ford's Commitment to You

At Ford Motor Company, excellence is the continuous commitment to achieve the best result possible. It is dedication to learning what you want, determination to develop the right concept, and execution of that concept with care, precision, and attention to detail. In short, excellence means being the standard by which others are judged.

Our Guiding Principles

- **Quality comes first.** For your satisfaction, the quality of our products and services must be our number one priority.
- **You are the focus of everything we do.** Our work must be done with you in mind, providing better products and services than our competition.
- **Continuous improvement is essential to our success.** We must strive for excellence in everything we do: in our products — in their safety and value — and in our services, our human relations, our competitiveness, and our profitability.
- **Employee involvement is our way of life.** We are a team. We must treat one another with trust and respect.
- **Dealers and suppliers are our partners.** We must maintain mutually beneficial relationships with dealers, suppliers, and our other business associates.
- **Integrity is never compromised.** Our conduct worldwide must be pursued in a manner that is socially responsible and commands respect for its integrity and for its positive contributions to society.

Things to Know About Using This Guide

Congratulations on the purchase of your new vehicle. This guide has information about the equipment and the options for your new vehicle. You may not have bought all of the options available to you. If you do not know which information applies to your vehicle, talk to your dealer.

This guide describes equipment and gives specifications for equipment that was in effect when this guide was approved for printing. Ford may discontinue models or change specifications or design without any notice and without incurring obligation.

NOTES and WARNINGS

NOTES give you additional information about the subject matter you are referencing.

WARNINGS remind you to be especially careful in those areas where carelessness can cause damage to your vehicle or personal injury to yourself, your passengers or other people. Please read all **WARNINGS** carefully.

| |
|--|
|  WARNING |
| |

Finding Information in This Guide

After you have read this guide once, you will probably return to it when you have a specific question or need additional information. To help you find specific information quickly, you can use the Quick Index or the Index.

The **Quick Index** at the end of the book provides a page number following each item which indicates where detailed information can be found.

Introductory Information

To use the **Index**, turn to the back of the book and search in the alphabetical listing for the word that best describes the information you need. If the word you chose is not listed, think of other related words and look them up. We have designed the Index so that you can find information under a technical term.

Canadian Owners — French Version

French Owner Guides can be obtained from your dealer or by writing to Ford Motor Company of Canada, Limited, Service Publications, P.O. Box 1580, Station B, Mississauga, Ontario L4Y 4G3.

Your Maintenance Schedule and Record Booklet

The *Maintenance Schedule and Record* booklet lists the services that are most important for keeping your vehicle in good condition. A record log is also provided to help you keep track of all services performed.

About the Warranties

Your vehicle is covered by three types of warranties: **Basic Vehicle Warranty**, **Extended Warranties** on certain parts, and **Emissions Warranties**.

Read your *Warranty Information Booklet* carefully to find out about your vehicle's warranties and your basic rights and responsibilities.

If you lose your *Warranty Information Booklet*, you can get a new one free of charge. Contact any Ford or Lincoln-Mercury dealer, or refer to the addresses and phone numbers on the first page of this owner guide.

Buying a Ford Extended Service Plan

If you bought your vehicle in the U.S., you can buy a Ford Extended Service Plan for your vehicle. This optional contract provides service protection for a longer period of time than the basic warranty that comes with your vehicle.

You do not have to buy this option when you buy your vehicle. However, your option to purchase the Ford Extended Service Plan runs out after 18 months or 18,000 miles. See your dealer for more details about the Ford Extended Service Plan.

If you purchased a Canadian vehicle and did not take advantage of the Ford Extended Service Plan at the time of purchase, you may still be eligible. See your dealer for the details.

Breaking Your Vehicle In

Your new vehicle goes through an adjustment or break-in period during the first 1,000 miles (1,600 km) that you drive it. During the break-in period, you need to pay careful attention to how you drive your vehicle.

- **Avoid sudden stops.** Because your vehicle has new brake linings, you should take these steps:
 - Watch traffic carefully so that you can anticipate when to stop.
 - Begin braking well in advance.
 - Apply the brakes gradually.

The break-in period for new brake linings lasts for 100 miles (160 km) of city driving or 1,000 miles (1,600 km) of highway driving.

Introductory Information

- Wheel lug nuts must be retightened to proper torque specifications at 500 miles/800 km of new vehicle operation. Proper torque specifications are provided in this guide. Also retighten to proper torque specification at 500 miles/800 km after any wheel change or any other time the wheel lug nuts have been loosened.
- **Use only the type of engine oil that Ford recommends.** See *Engine oil recommendations* in the Index. Do not use special “break-in” oils.

Your vehicle is equipped with an Electronic Powertrain Control Module that limits engine and/or vehicle speeds with a cut-out mode to promote durability.

Cleaning the Outside of Your Vehicle

Washing and Polishing Your Vehicle

Wash the outside of your vehicle, including the underside, with a mild detergent.

DO NOT:

- Wash your vehicle with hot water
- Wash your vehicle while it sits in direct sunlight
- Wash your vehicle while the body is hot

Pollen, bird droppings and tree sap can damage the paint, especially in hot weather. Wash your vehicle as often as necessary to keep it clean.

Take similar precautions if your vehicle is exposed to chemical industrial fallout.

Paint damage resulting from fallout is not related to a defect in paint materials or workmanship and therefore is not covered by warranty. Ford, however, believes that continual improvement in customer satisfaction is a high priority. For this reason, Ford has authorized its dealers to repair, at no charge to the owner, the surfaces of new vehicles damaged by environmental fallout within 12 months or 12,000 miles (20,000 km) of purchase, whichever comes first. Customers may be required to bring their vehicle in for inspection by a Ford representative.

Polish your vehicle to remove harmful deposits and protect the finish.

Cleaning Chrome and Aluminum Parts

Wash chrome and aluminum parts with a mild detergent. Do not use steel wool, abrasive cleaners, fuel, or strong detergents.

Cleaning Plastic Parts

Some of your vehicle's exterior trim parts are plastic. Clean with a tar and road oil remover if necessary. Use a vinyl cleaner for routine cleaning.

Do not clean plastic parts with thinners, solvents or petroleum-based cleaners.

If you have your vehicle rustproofed, remove oversprayed rustproofing with a tar and road oil remover. If rustproofing is not removed from plastic and rubber parts, it can cause deterioration.

Safety Restraints

Safety Belts

The use of safety belts helps to restrain you and your passengers in case of a collision. In most states and in Canada, the law requires their use. We strongly recommend that you use them every time you travel in your vehicle.

Safety belts provide best restraint when:

- the seatback is upright
- the occupant is sitting upright (not slouched)
- the lap belt is snug and low on the hips
- the shoulder belt is snug against the chest
- the knees are straight forward

See the following sections in this chapter for directions on how to properly use these safety belts. Also see *Safety Restraints for Children* in this chapter for special instructions about using safety belts for children.

| |
|--|
|  WARNING |
|--|

| |
|--|
| <p>Make sure that you and your passengers, including pregnant women, wear safety belts. Be sure that the lap belt portion of your safety belt fits snugly and as low as possible around the hips. If safety belts are not used properly, the risk of you or your passengers being injured in a collision greatly increases.</p> |
|--|

⚠️ WARNING

Passengers should not be allowed to ride in the cargo area. Persons not riding in a seat with a fastened seat belt are much more likely to suffer serious injury in a collision. Cargo should always be secured to prevent it from shifting and causing damage to the vehicle or harm to passengers.

⚠️ WARNING

Failure to follow these precautions could increase the risk and/or severity of injury in a collision. 1) Use the shoulder belt on the outside shoulder only. Never wear the shoulder belt under the arm. 2) Never swing it around your neck over the inside shoulder. 3) Never use a single belt for more than one person.

⚠️ WARNING

To reduce the risk of serious injury in a collision, always drive and ride with your seatback upright and the lap belt snug and low across the hips.

⚠️ WARNING

To reduce the risk of serious injury in a collision, children should always ride with the seatback upright.

Safety Restraints

⚠ WARNING

Never let a passenger hold a child on his or her lap while the vehicle is moving. The passenger cannot protect the child from injury in a collision.

⚠ WARNING

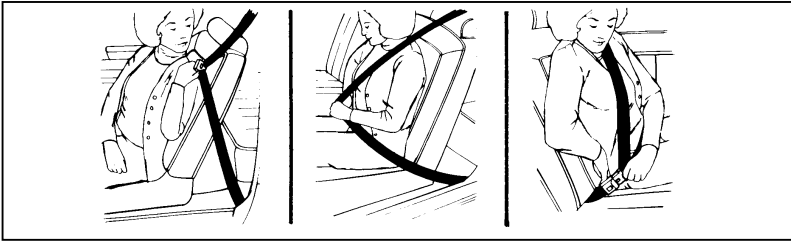
Never use a single belt for more than one person or across more than one seating position. This greatly increases the risk that one or both of the people will be injured in a collision. Each seating position in your vehicle has a specific safety belt assembly which is made up of one buckle and one tongue that are designed to be used as a pair.

Lock the doors of your vehicle before driving to lessen the risk of the door coming open in a collision.

Combination Lap and Shoulder Belts

While your vehicle is in motion, the combination lap and shoulder belt adjusts to your movement. However, if you brake hard, turn hard, or if your vehicle receives an impact of 5 mph (8 km/h) or more, the lap/shoulder belt locks and helps reduce your forward movement.

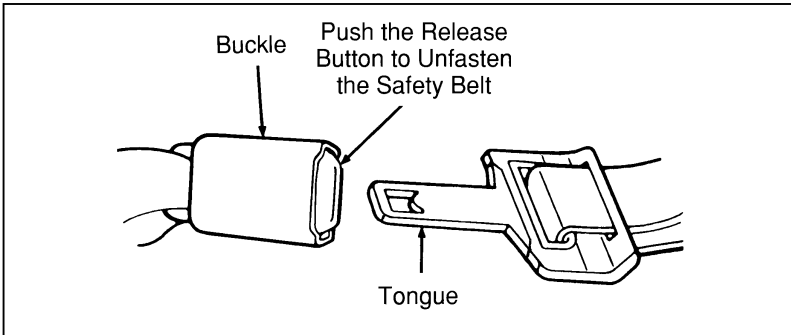
After you get into your vehicle, close the door and lock it. Then adjust the seat to the position that suits you best.



Fastening the front seat lap and shoulder belt

Adjust the lap part of the belt by pulling up on the shoulder belt until the lap belt fits snugly and as low as possible around your hips.

Push the release button on the buckle. This allows the tongue to unlatch from the buckle.



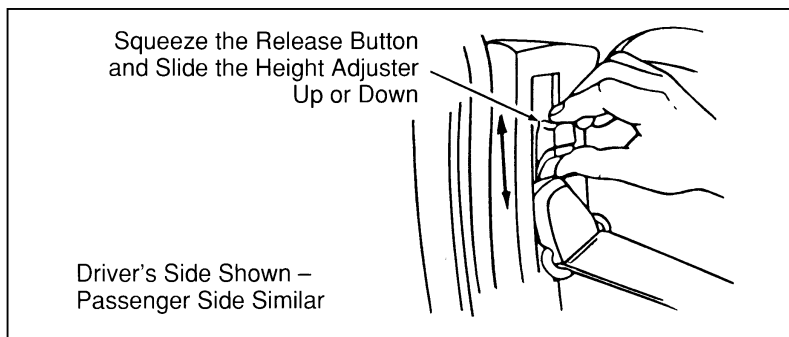
Unfastening the combination lap and shoulder belts

While the belt retracts, guide the tongue to its original position to prevent it from striking you or part of the vehicle.

Safety Restraints

Shoulder Belt Adjustment (Driver and Right Front Passenger)

You can adjust the shoulder belt height to one of five (5) positions. To adjust, pinch the release button and slide it up or down until the belt rests on your shoulder near your neck. Release the button and make sure the adjuster is firmly seated in one of the five (5) positions.



The shoulder belt height adjuster

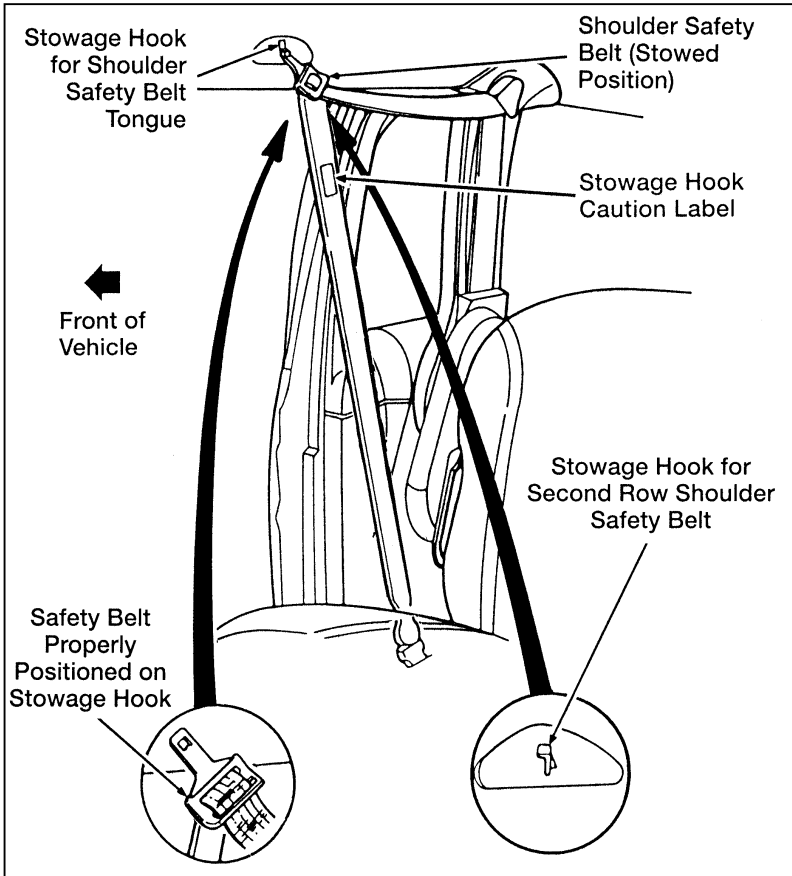
Combination Lap and Shoulder Belt — Second Row Bench Seat

There is a unique safety restraint system for the outside seating position of the second row bench seat. It is very important that you read and understand this section before anyone rides in the outside seating position (near the sliding door) of the two-passenger bench seat.

In addition to safety belt anchorages in the floor and roof structures, the second row bench seat has a detachable safety belt anchor mounted to the right window side of the seat. The safety belt should always remain attached to this anchor except when removing this seat.

The second row passenger side outboard seating position uses a hook above the sliding door to stow the shoulder safety belt when entering or exiting the vehicle or when it is not being used.

NOTE: When the belt is stowed using the hook, DO NOT use the hanging belt as an assist when entering the vehicle.



Proper stowage of second row shoulder safety belt

Safety Restraints

When removing the second row bench seat:

1. Disengage the safety belt from the seat by inserting a key or small screwdriver into the slot provided on the detachable anchor (see Figure 1). When this shoulder belt assembly is free of the seat, allow the retractor to wind up the slack in the belt.
2. Using the clip attached to the end of the shoulder belt, clip the end of the belt to the stationary portion of the shoulder belt (see Figure 2). The end of the shoulder belt **must** be clipped in order to keep it from striking anything during vehicle operation.

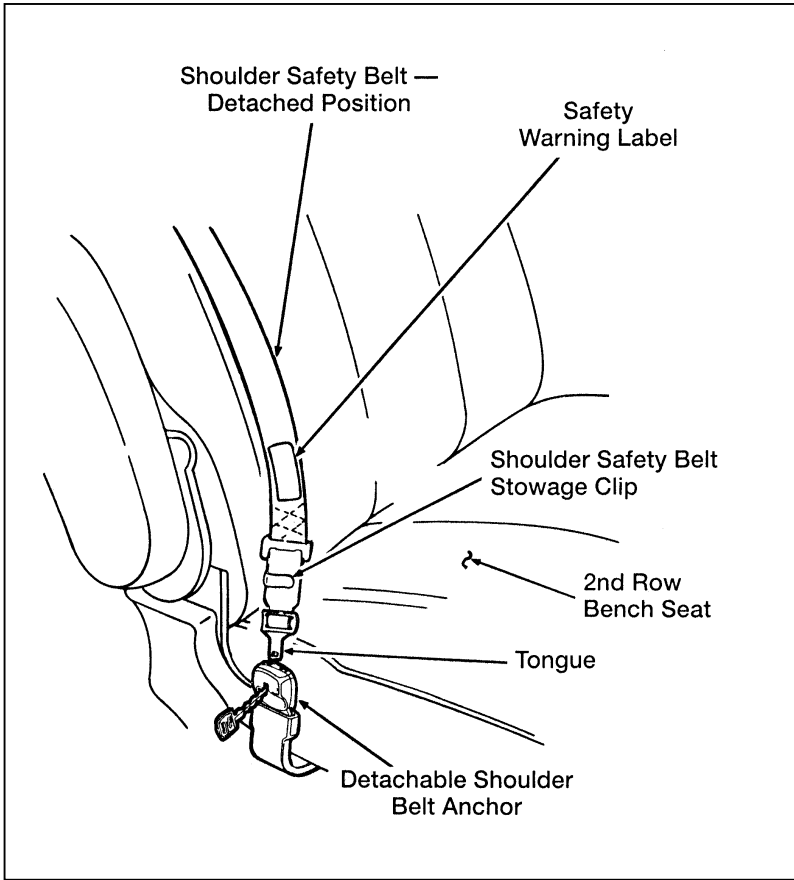


Figure 1: Second row bench seat detachable anchor

Safety Restraints

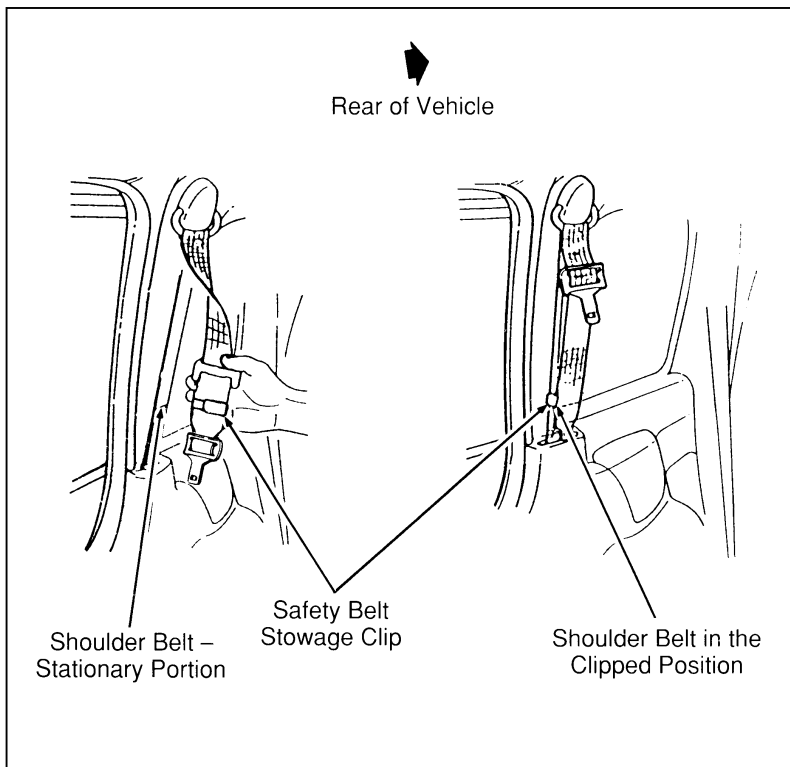


Figure 2: Securing the detachable shoulder belt

Refer to the “Seats” section in the *Features* chapter of this Owner Guide for information on removing and installing seats.

After re-installing the second row bench seat, make sure that the safety belt is not twisted before you insert it into the detachable anchor. A twisted safety belt may cause the retractor to work improperly. Then insert the detachable anchor tongue into the detachable anchor until you hear a “snap” and feel the latch engage.

⚠ WARNING

When reinstalling a rear seat in your vehicle it must be placed in its original position. Improper installation of the seat will prevent correct use of the safety belts and could increase the risk of injury. Refer to the warning label on the seat belt.

Your vehicle is equipped with a dual locking mode retractor on the shoulder belt portion of the combination lap/shoulder safety belt for front passenger and rear seat window passengers.

Dual locking mode retractors operate in two ways:

Vehicle Sensitive (Emergency) Locking Mode

In this operating mode, the shoulder belt retractor will allow the occupant freedom of movement, locking tight only on hard braking, hard cornering or impacts of approximately five mph (8 km/h) or more.

Automatic Locking Mode

In this operating mode, the shoulder belt retractor will be automatically locked and remain locked when the combination lap/shoulder safety belt is buckled, and does not allow the occupant freedom of movement. This mode provides the following:

- A tight lap/shoulder belt fit on occupant
- Child seat or infant carrier restraint

Rear-facing infant seats should never be placed in the front seat.

This mode **must be used** when installing a child seat on the front passenger seat and rear window seats where dual locking retractors are provided.

To switch the retractor from the emergency locking mode to the automatic locking mode, perform the following steps:

1. Buckle the lap/shoulder combination belt.

Safety Restraints

2. Grasp the shoulder portion of the belt and pull downward until all of the belt is extracted, and when allowed to retract, a clicking sound will be heard. At this time, the belt retractor is in the automatic locking mode (child restraint mode).
3. A clicking sound will be heard as the belt is allowed to retract. This indicates that the retractor is in the automatic locking mode.

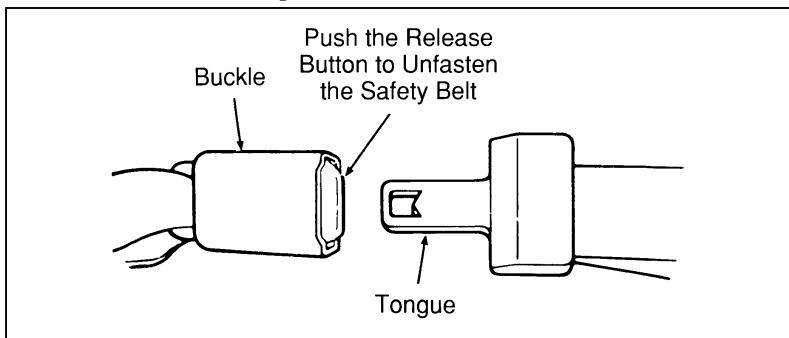
NOTE: When the combination lap/shoulder belt is unbuckled and allowed to retract completely, the retractor will switch back to the vehicle sensitive (emergency) locking mode. See detailed instructions under Safety Seats for Children later in this chapter.

Lap Belts

The lap belt in the center of the rear seat does not adjust automatically. You must adjust it to fit snugly and as low as possible around your hips. Do not wear it around your waist. If you need to lengthen the belt, unfasten it and tip the belt tongue at a right angle to the belt. Pull the belt tongue over your lap until it reaches the buckle.

If you need to shorten the belt, pull on the loose end of the webbing until the belt fits snugly.

To unfasten the belt, push the release button on the buckle.



Unfastening the lap belt in the center rear seating position

Safety Belt Maintenance

Check the safety belt systems periodically to make sure that they work properly and are not damaged.

All safety belt assemblies, including retractors, buckles, front seat belt buckle support assemblies (slide bar) (if so equipped), child safety seat tether bracket assemblies (if so equipped), and attaching hardware, should be inspected after any collision. Ford recommends that all safety belt assemblies used in vehicles involved in a collision be replaced. However, if the collision was minor and a qualified technician finds that the belts do not show damage and continue to operate properly, they do not need to be replaced. Safety belt assemblies not in use during a collision should also be inspected and replaced if either damage or improper operation is noted.

Cleaning the Safety Belts

Clean the safety belts with any mild soap solution that is recommended for cleaning upholstery or carpets. Do not bleach or dye the belt webbing because this may weaken it.

Safety Belt Extension Assembly

For some people, the safety belt may be too short even when it is fully extended. You can add about eight inches (20 cm) to the belt length with a safety belt extension assembly (part number 611C22). Safety belt extensions are available at no cost from your dealer.

| |
|---|
|  WARNING |
| Failure to follow these instructions will affect the performance of the safety belts and increase the risk of personal injury. |

Safety Restraints

Air Bag Supplemental Restraint System (SRS)

The driver and right front passenger air bags are Supplemental Restraint Systems (SRS), provided at these seating positions in addition to the lap/shoulder belt, and are designed to supplement the protection provided to properly belted occupants in moderate to severe frontal collisions. The supplemental air bag system does not provide restraint to the lower body.

The Importance of Wearing Safety Belts

| |
|-------------------|
| ⚠️ WARNING |
|-------------------|

| |
|--|
| Safety belts must be worn by all vehicle occupants to be properly restrained and help reduce the risk of injury in a collision. |
|--|

| |
|-------------------|
| ⚠️ WARNING |
|-------------------|

| |
|--|
| All occupants of the vehicle, including the driver, should always wear their safety belts, whether or not an airbag Supplemental Restraint System is also provided at their seating position. Failure to do so may increase the risk of severe injury or death in the event of a collision. |
|--|

There are four very important reasons to use safety belts even with an air bag system. Use your safety belts to:

- help keep you in the proper position (away from the air bag) when it inflates
- reduce the risk of harm in rollover, side or rear impact collisions, because an air bag is not designed to inflate in such situations

-
- reduce the risk of harm in frontal collisions that are not severe enough to activate the supplemental air bag
 - reduce the risk of being thrown from your vehicle

The Importance of Being Properly Seated

In a collision, the air bag must inflate extremely fast to help provide additional protection for you. In order to do this, the air bag must inflate with considerable force. If you are not seated in a normal riding position with your back against the seatback, the air bag may not protect you properly and could possibly hurt you as it inflates.

| |
|--|
|  WARNING |
|--|

| |
|---|
| If a passenger is not properly seated and restrained, an inflating air bag could cause serious injury. |
|---|

Your vehicle is equipped with a right front passenger air bag. Air bags deploy with great force, faster than the blink of an eye. Front passengers, especially children and small adults, must never sit on the front edge of the seat, stand near the glove compartment of the instrument panel, or lean over near the air bag cover when the vehicle is moving. All occupants should sit with their backs against the seatback, move the seat to the most rearward position if possible and use the safety belts. Children weighing less than 40 lbs. (18 kg) always should use child or infant seats.

| |
|--|
|  WARNING |
|--|

| |
|--|
| When using forward-facing child seats move the passenger seat as far back from the instrument panel as possible. NEVER SECURE REAR-FACING INFANT SEATS IN THE FRONT SEAT. |
|--|

Safety Restraints

THE FORCE OF THE RAPIDLY INFLATING PASSENGER AIR BAG COULD PUSH THE TOP OF THE REAR-FACING SEAT AGAINST THE VEHICLE SEATBACK, ARMRESTS OR CONSOLE. REAR-FACING INFANT SEATS MUST ALWAYS BE SECURED IN THE REAR SEAT.

WARNING

Do not place objects or mount equipment on or near the air bag cover on the steering wheel or in front seat areas that may come in contact with a deploying air bag. Failure to follow this instruction may increase the risk of personal injury in the event of a collision.

For further information about the proper mounting of equipment in the front seat of this vehicle, please refer to Ford's brochure entitled *Some Important Information About Air Bag Supplemental Restraint System* which can be obtained by calling Helm Inc. at 1-800-782-4356. Ask for brochure FPS-8602.

For additional important safety information on the proper use of seat belts, child seats, and infant seats, please read the other sections of this part of the Owner Guide, especially sections entitled *Safety Belts for Children* and *Safety Seats for Children*.

How the Air Bag Supplemental Restraint System Operates

The Air Bag Supplemental Restraint System consists of the driver and passenger air bags, impact sensors, a system diagnostic module, a readiness light and tone, and the electrical wiring which connects the components.

The driver air bag is in the center of the steering wheel and is indicated by the letters "SRS." The right front passenger seat air bag is in the upper right-hand section of the instrument panel ledge above the glove compartment. The letters "SRS" appear there. Both air bags are designed to stay out of sight until they are activated.

⚠ WARNING

Do not attempt to service, repair, or modify the Air Bag Supplemental Restraint System or its fuses. See your Ford or Lincoln-Mercury dealer.

If a collision occurs, the sensors sense the severity of the impact and activates the air bags if necessary. The air bag system is designed to deploy in frontal and front-angled collisions more severe than hitting a parked vehicle (of similar size and weight) head-on at about 28 mph (45 km/h). Because the system senses the crash severity rather than vehicle speed, some frontal collisions at speeds above 28 mph (45 km/h) will not inflate the air bag.

When the sensors activate the system, the air bags inflate rapidly, filling with non-toxic nitrogen gas in a fraction of a second. Immediately after inflation, the air bags deflate by releasing the nitrogen gas through vent holes. The whole process takes place in a matter of seconds.

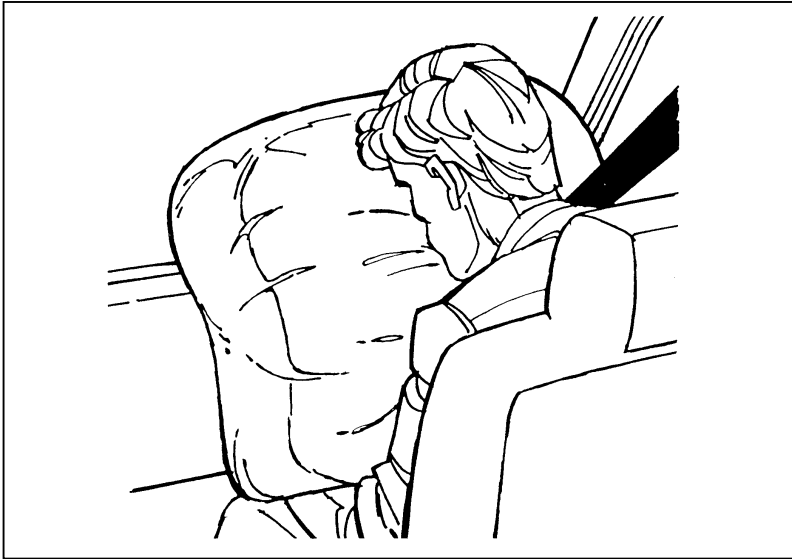
⚠ WARNING

Air bag system components get hot after inflation. Do not touch them after inflation.

Safety Restraints



Inflated driver-side air bag



Inflated passenger-side air bag

⚠ WARNING

If the air bag is inflated, THE AIR BAG WILL NOT FUNCTION AGAIN AND MUST BE REPLACED IMMEDIATELY. If the air bag is not replaced, the unrepaired area will increase the risk of injury in a collision.

To ensure that the air bag system will operate as intended in a crash, the system is equipped with a diagnostic module, which controls a readiness lamp and a warning tone. The diagnostic module monitors its own circuits, the air bag electrical system, the air bag readiness light, the air bag power, and the air bag inflators.

Safety Restraints

The air bag system uses a readiness light and a tone to indicate the condition of the system. The readiness light is in the instrument cluster. When you turn the ignition to the ON position, this light will illuminate for approximately six (6) seconds and then turn off. This indicates that the system is operating normally. **NOTE:** Maintenance of the air bag system is not required.

A problem with the system is indicated by one or more of the following:

- the readiness light will either flash or stay lit,
- or it will not light immediately after ignition is turned on,
- a group of five beeps will be heard. The tone pattern will repeat periodically until the problem and light are repaired.

If any of these things happen, even intermittently, have the air bag system serviced at your Ford or Lincoln-Mercury dealer immediately.

Disposal of supplemental air bag equipped vehicles

For disposal of air bags or air bag equipped vehicles, see your local Ford or Lincoln-Mercury dealer. Air bags **MUST** be disposed of by qualified personnel.

Safety Restraints for Children

In the U.S. and Canada, you are required by law to use safety restraints for children. If small children ride in your vehicle — this generally includes children who are four years old or younger and who weigh 40 pounds (18 kg) or less — you must put them in safety seats that are made specially for children. Safety belts alone do not provide maximum protection for these children. Check your local and state laws for specific requirements.

⚠️ WARNING

Never let a passenger hold a child on his or her lap while the vehicle is moving. The passenger cannot protect the child from injury in a collision.

⚠️ WARNING

Passengers should not be allowed to ride in the cargo area. Persons not riding in a seat with a fastened seat belt are much more likely to suffer serious injury in a collision. Cargo should always be secured to prevent it from shifting and causing damage to the vehicle or harm to passengers.

⚠️ WARNING

Carefully follow all of the manufacturer's instructions included with the safety seat you put in your vehicle. If you do not install and use the safety seat properly, the child may be injured in a sudden stop or collision.

⚠️ WARNING

Never leave a child unattended in your vehicle.

⚠️ WARNING

Safety belts and seats can become hot in a vehicle that has been closed up in sunny weather; they could burn a small child. Check seat covers and buckles before you place a child anywhere near them.

Safety Restraints

When possible, put children in the rear seat of your vehicle. Accident statistics suggest that children are safer when properly restrained in the rear seating positions than in the front seating positions.

Built-In Child Seat (If equipped)

The second row bench seat may include two optional built-in child safety seats (one on the driver side and one on the passenger side). This child restraint is to be used **only** by children who are at least one year old, weigh between 9 and 27 kilograms (20 and 60 pounds) and whose shoulders (top) are below the bottom of the headrest in the **full up** position.

If your child is less than one year old or weighs less than 9 kilograms (20 pounds), **always** use a rear facing infant or convertible seat because a child of that size is not sufficiently developed to withstand crash forces in a front facing position. Follow the specific manufacturer's instructions for weight and height restrictions.

| |
|--|
|  WARNING |
|--|

| |
|--|
| <p>Always latch the vehicle seat to the floor, whether the seat is occupied or empty. If not latched, the seat may cause injury during a sudden stop.</p> |
|--|

Children must be properly buckled before riding in the vehicle. It is the law in every state and province. This child seat conforms to all Federal/Canadian motor vehicle safety standards.

Built-in child seat belt retractors

The belts on the built-in child seat are equipped with a retractor that locks when both belt tongues are latched into the crotch safety belt and buckle.

The retractor will switch from the emergency locking mode to the automatic locking mode when the shoulder belts are pulled all the way out. The retractor will switch back to emergency locking mode when the belts are unbuckled and the shoulder belts retract completely.

The automatic locking mode must be used to hold small children in position, particularly sleeping children and those who may try to squirm out of the belts. The emergency locking mode is also used while buckling the belts.

Frequently check the child seat's lap and shoulder harness belts for correct placement and tightness. Use the child seat only if the harness belts will stay snug when belts are placed into the lock mode with a child in the seat. If belts do not remain snug, take the vehicle to the dealer for child seat repair.

Always adjust the lap and shoulder harness belts provided with this child seat snugly around your child.

⚠ WARNING

Never leave a child unattended in your vehicle.

⚠ WARNING

Safety belts and seats can become hot in a vehicle that has been closed up in sunny weather; they could burn a small child. Check seat covers and buckles before you place a child anywhere near them.

⚠ WARNING

Failure to follow all of the instructions on the use of this child restraint system can result in your child striking the vehicle's interior during a sudden stop or crash.

Safety Restraints

How to use the Built-In Child Seat

Read the following procedures and all of the labels on the Built-In Child Seat before using the seat.

⚠ WARNING

Never use the Built-In Child Seat as a booster cushion with the adult safety belts. A child using the adult belts could slide forward and out from under the safety belts.

1. Push the headrest release lever and grasp the headrest as shown in Figure 1. Then release the lever and rotate the headrest **full up** until the latch “clicks” in the **full up** position. Refer to Figure 2.

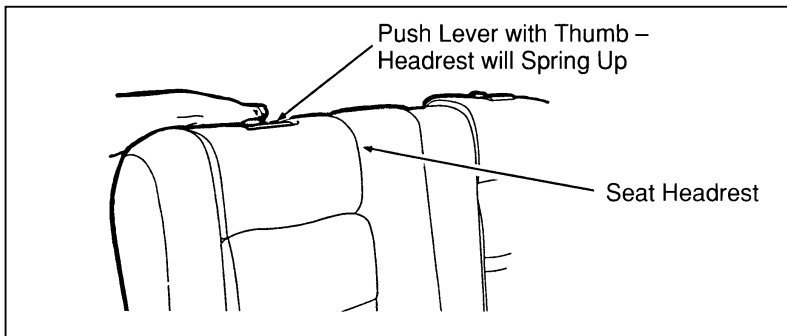


Figure 1: Releasing the headrest

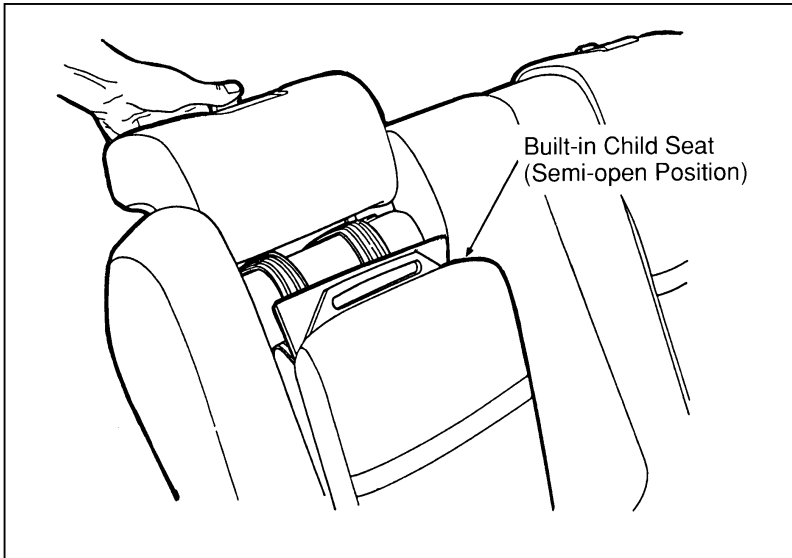


Figure 2: Release the lever and rotate the headrest to the full up position

2. Lower the seat cushion. Refer to Figure 3. The child safety seat will move to a semi-reclined position as the seat cushion is lowered.
3. Read the information and warnings on the child seat cushion protector flap and shoulder safety belt. Refer to Figure 3. Check the child's size, weight and age to be sure the child is not too small or too large for the child seat. Then fold the flap down onto the adult seat cushion.

Safety Restraints

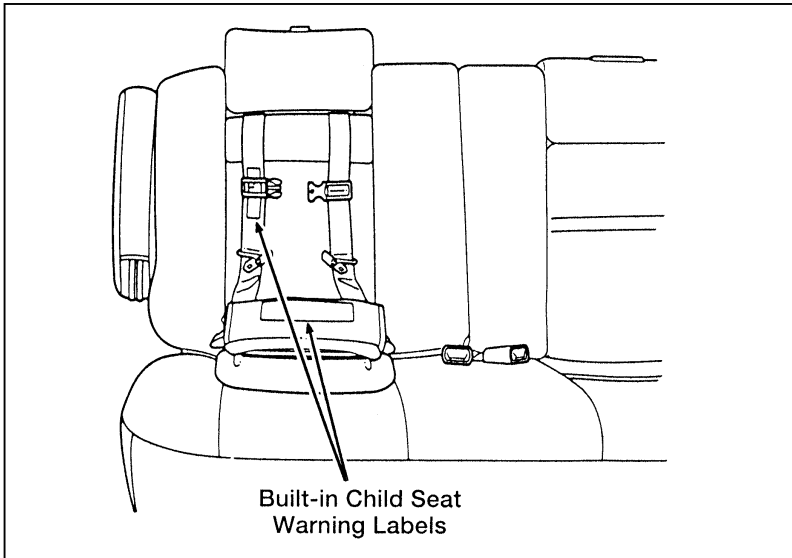


Figure 3: Child seat information and warnings

4. If connected, squeeze the top and the bottom of the right half of the chest clip and pull to separate both halves.

-
5. Place the child on the child seat and position the shoulder belts over each shoulder. Refer to Figure 4.

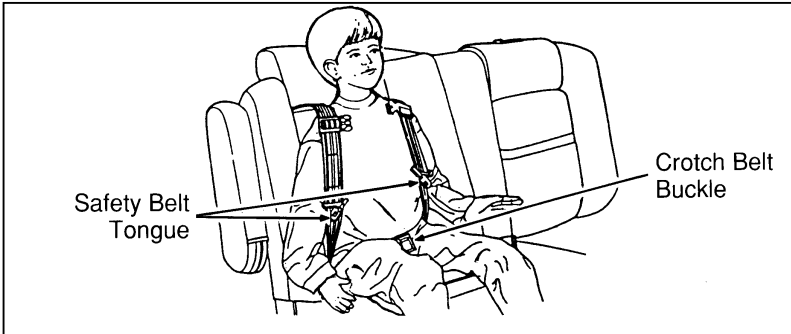


Figure 4: Shoulder safety belt placement on the child

NOTE: Read the following steps carefully to become familiar with the indicator windows located on each safety belt tongue and the chest clip. When either of the tongues or the chest clip is unbuckled, the color red appears in the window. When the tongues or chest clip are securely buckled, the color green appears.

Safety Restraints

6. Insert either the left or right safety belt tongue into the single opening of the crotch safety belt buckle as shown in Figure 5. (It does not matter which tongue is inserted first.) Then insert the other tongue. The color green must appear in the indicator window on each tongue when buckled.

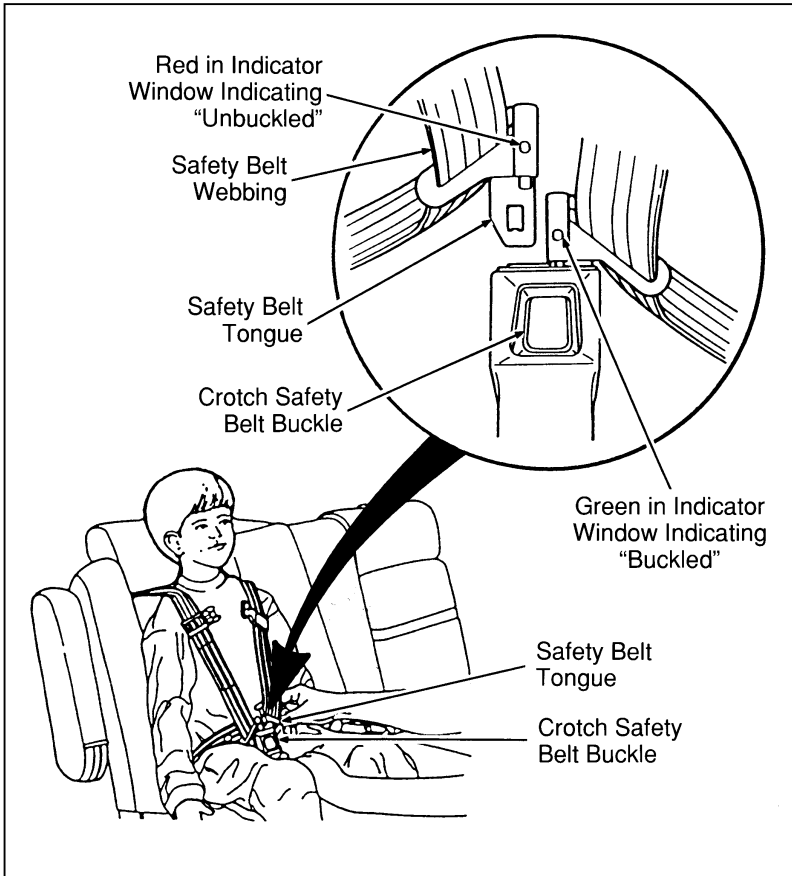


Figure 5: Fastening the crotch safety belt buckle

-
7. Fasten both halves of the chest clip below the child's shoulders and adjust it to comfortably hold the shoulder belts in place on the child's chest. The color green must appear in the indicator window when fastened. (The purpose of this clip is to position the shoulder belts correctly on the child's shoulders.) Refer to Figure 6.

 **WARNING**

If both tongues do not latch in the buckle, do not use the child seat. See your dealer for repairs.

Safety Restraints

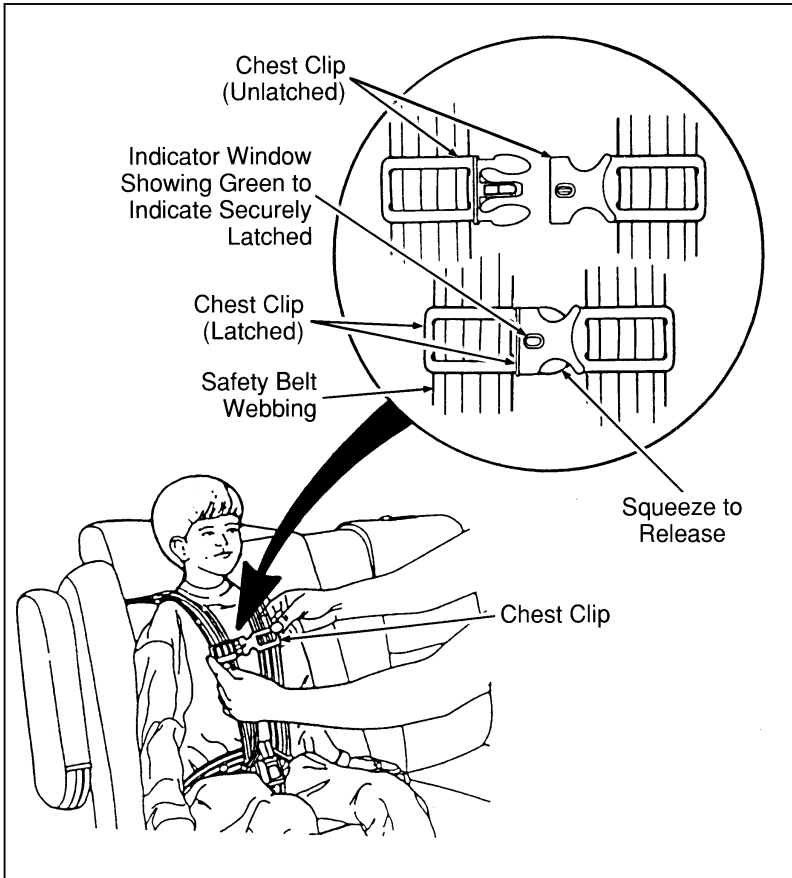


Figure 6: Securing the chest clip

-
- Pull the shoulder belts out to ensure that the crotch safety belt buckle and chest clip are securely fastened. Refer to Figure 7.

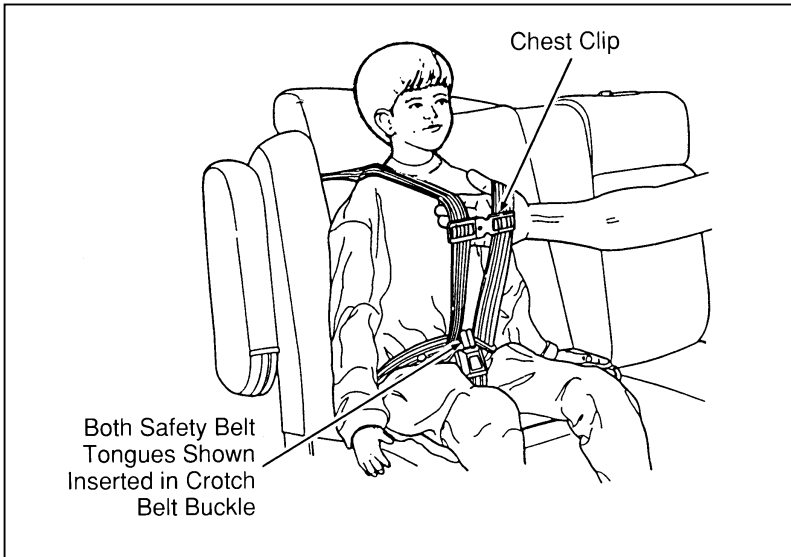


Figure 7: Checking for securely latched buckle and chest clip

- Pull left shoulder belt fully out to put the retractor into the lock mode. Allow belts to retract and fit snugly. The purpose of the lock mode is to prevent the child from getting out of the seat while the vehicle is in operation and to hold a sleeping child in position. The belts will lock automatically during a collision or hard braking.

To remove the child from the built-in child seat:

- Open the chest clip. Refer back to Figure 6.
 - Press the release button on the crotch safety belt buckle.
 - Slide the shoulder belts off the child's shoulders and remove the child. Refer back to Figure 4.
-

Safety Restraints

To fold up the child seat:

1. Fold the protector flap over the child seat cushion. Refer back to Figure 3.
2. Rotate the child seat cushion upward.
3. Push the headrest release lever and slide the headrest downward until it latches against the child seat cushion. Refer back to Figures 1 and 2.
4. When the child seat is **not** in use, it may be folded up so that an adult may use the vehicle's rear seat.

Inspection after a collision

| |
|--|
|  WARNING |
|--|

| |
|---|
| <p>All built-in child restraints, including seats, buckles, retractors, seat latches, interlocks, and attaching hardware should be inspected by a qualified dealer technician after any collision.</p> |
|---|

If the child seat was in use during a collision, Ford recommends replacing it. However, if the collision was minor and a qualified technician finds that the child restraints do not show damage and continue to operate properly, they do not need to be replaced. If there is any bending of the vehicle seat back or seat structure, it should also be replaced. Built-in child seats not in use during a collision should also be inspected and replaced if either damage or improper operation is noted.

Cleaning

Your Built-In Child Seat may be cleaned with mild soap and water. Do not use household cleaners as they may weaken the webbing or damage the plastic parts. For your convenience, the liner is made to be machine washable and air dried.

Built-in child seat maintenance

Regularly inspect the lap and shoulder belts system of your child seat. See your Ford Dealer if the shoulder belt webbing is frayed, or if the buckle and tongue are damaged and/or do not function properly.

Safety Belts for Children

Children who are too large for child safety seats should always wear safety belts. (See instructions with your child seat, or contact its manufacturer, to determine maximum size of child that will safely fit in the seat.)

| |
|--|
|  WARNING |
|--|

| |
|--|
| If safety belts are not properly worn and adjusted as described, the risk of serious injury to the child in a collision will be much greater. |
|--|

If the shoulder belt portion of one of the lap and shoulder belts can be positioned so that it does not cross or rest in front of the child's face or neck, the child should wear the lap and shoulder belt. Moving the child closer to the center of the vehicle may help provide a good shoulder belt fit.

Lap belts and the lap belt portion of lap and shoulder belts should always be worn snugly and below the hips, touching the child's thighs.

| |
|--|
|  WARNING |
|--|

| |
|--|
| To reduce the risk of serious injury in a collision, children should always ride with the seatback upright. |
|--|

Safety Restraints

Safety Seats for Children

Use a safety seat that is recommended for the size and weight of the child. Always follow the safety seat manufacturer's instructions when installing and using the safety seat.

Ford recommends the use of a child safety seat having a top tether strap. Install the child safety seat in a seating position which is capable of providing a tether anchorage. For more information on top tether straps see *Attaching Safety Seats With Tether Straps* in this chapter.

When installing a child safety seat, be sure to use the correct safety belt buckle for that seating position, and make sure the tongue is securely fastened in the buckle.

In rear-facing infant seats, the infant's head is closer to the passenger air bag. The force of the rapidly inflating air bag could push the top of the rear-facing seat against the vehicle seatback. REAR-FACING INFANT SEATS MUST ALWAYS BE SECURED IN THE REAR SEAT, and other child seats and infant seats should be secured in the rear seat whenever possible. Forward-facing child seats used in the front seat must have the passenger seat moved as far back from the instrument panel as possible.

Your vehicle is equipped with a right front passenger air bag. Air bags deploy with great force, faster than the blink of an eye. Front passengers, especially children and small adults, must never sit on the front edge of the seat, stand near the glove compartment of the instrument panel, or lean over near the air bag cover when the vehicle is moving. All occupants should sit with their backs against the seatback, move the seat to the most rearward position if possible and use the safety belts. Children weighing less than 40 lbs. (18 kg) always should use child or infant seats.

⚠ WARNING

When using forward-facing child seats move the passenger seat as far back from the instrument panel as possible. NEVER SECURE REAR-FACING INFANT SEATS IN THE FRONT SEAT.

THE FORCE OF THE RAPIDLY INFLATING PASSENGER AIR BAG COULD PUSH THE TOP OF THE REAR-FACING SEAT AGAINST THE VEHICLE SEATBACK, ARMRESTS OR CONSOLE. REAR-FACING INFANT SEATS MUST ALWAYS BE SECURED IN THE REAR SEAT.

All child restraint systems are designed to be secured in vehicle seats by lap belts or by the lap portion of a lap-shoulder belt.

⚠ WARNING

If you do not properly secure the safety seat, the child occupying the seat may be injured during a collision or sudden stop. An unsecured safety seat could also injure other passengers.

⚠ WARNING

Carefully follow all of the manufacturer's instructions included with the safety seat you put in your vehicle. If you do not install and use the safety seat properly, the child may be injured in a sudden stop or collision.

⚠ WARNING

Always keep the buckle release button pointing upward and away from the child seat, with the tongue between the child seat and the release button as shown in the following illustration.

Installing Child Safety Seats in the Front Seat and Rear Window Passenger Seating Positions

Your vehicle is equipped with a dual locking mode retractor on the shoulder belt portion of the combination lap/shoulder safety belt for the front seat passenger and for the rear window passengers.

If you choose to install a forward-facing child seat or infant carrier in the front seating positions, move the seat as far back as possible.

For seating positions equipped with a dual-locking mode retractor, use the following procedure:

1. Position the child seat in the center of passenger seat.
2. Pull down on shoulder belt, then grasp shoulder belt and lap belt together. Figure 1.

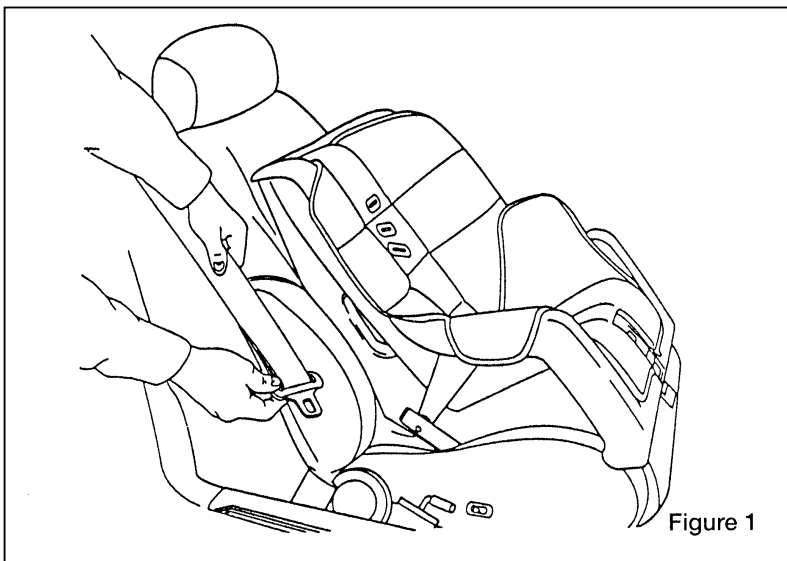


Figure 1

Safety Restraints

3. While holding the shoulder and lap belt portions together, route the tongue through the child seat according to the child seat manufacturer's instructions. See Figure 2. Be sure that the belt webbing is not twisted.

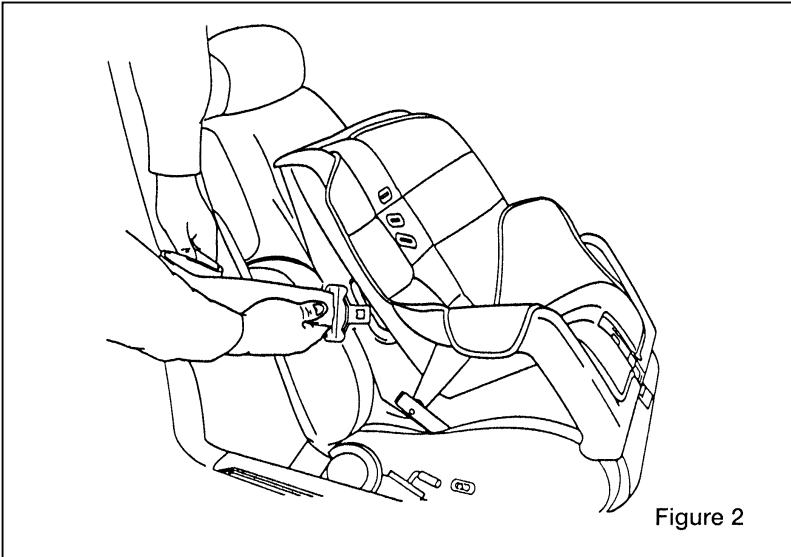
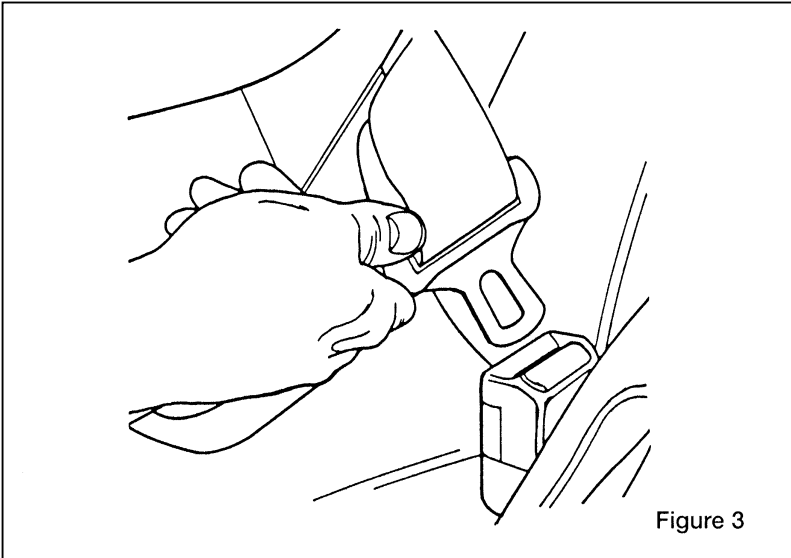


Figure 2

Routing the lap/shoulder belt

-
4. Insert the belt into the proper buckle for that seating position until you hear and feel the latch engage. See Figure 3. Make sure the tongue is latched securely to buckle by pulling on the tongue.



Buckling the belt

5. Grasp the shoulder portion of the belt and pull downward until all of the belt is extracted and a click is heard. At this time, the retractor is in the automatic locking mode (child restraint mode). See Figure 4.

NOTE: The dual-locking mode retractor must be in the automatic locking mode to properly restrain a child seat.

Safety Restraints

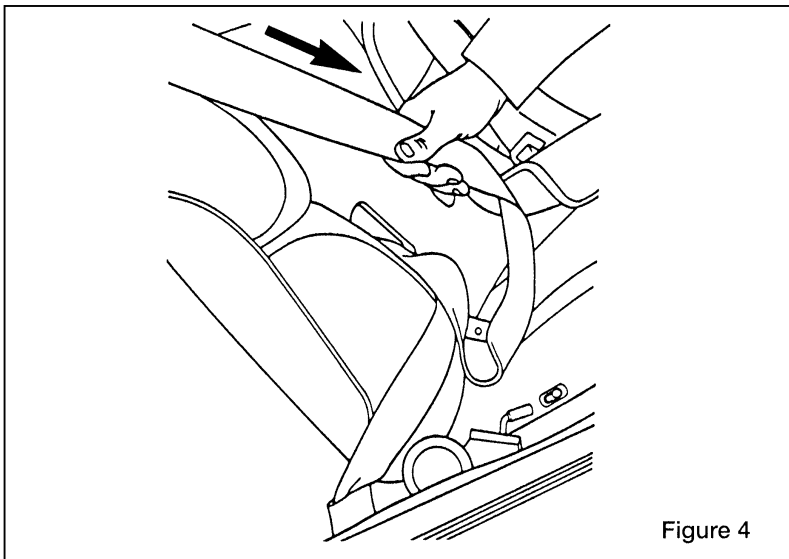
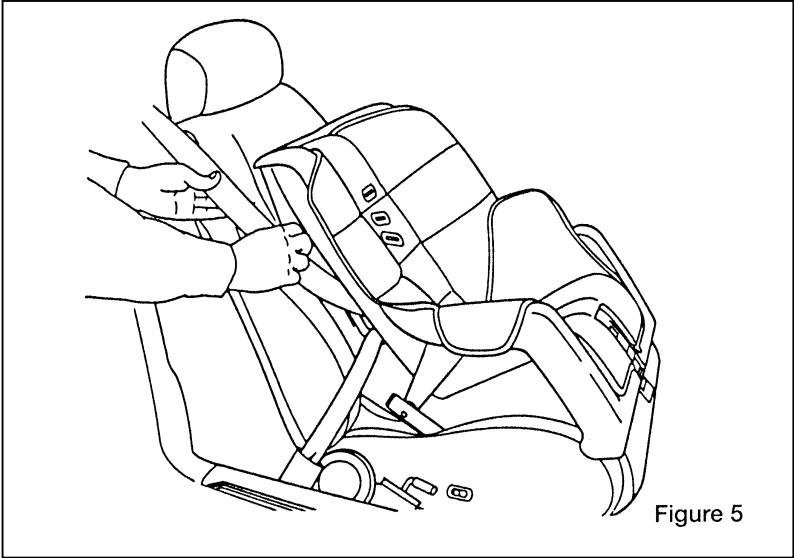


Figure 4

Setting the retractor to automatic locking mode

6. Allow the belt to retract. A clicking sound will be heard as the belt retracts. This indicates the retractor is in the automatic locking mode. Pull on the lap belt portion across the child seat towards the buckle and continue to pull up on the shoulder belt portion while pushing down on the child seat allowing the shoulder belt to retract, to remove any slack in seat belt. See Figures 5 and 6.



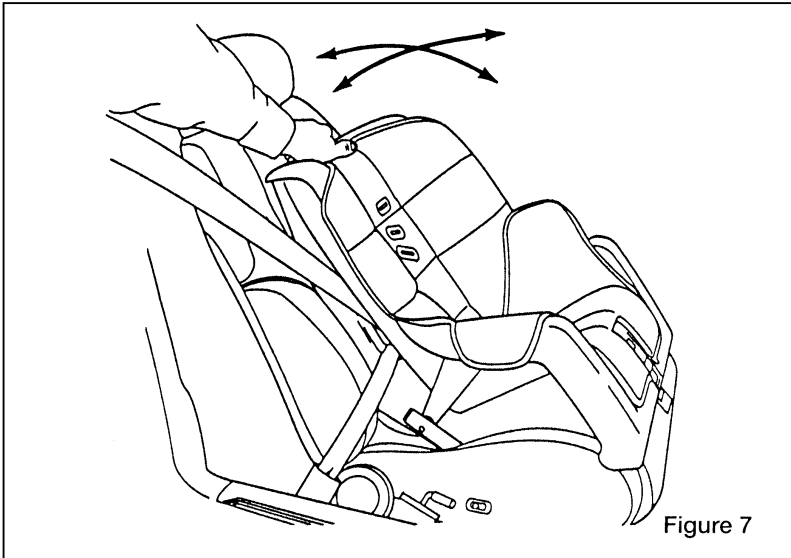
Safety Restraints

Push down on child
safety seat while
pulling up on the
shoulder belt webbing



Figure 6

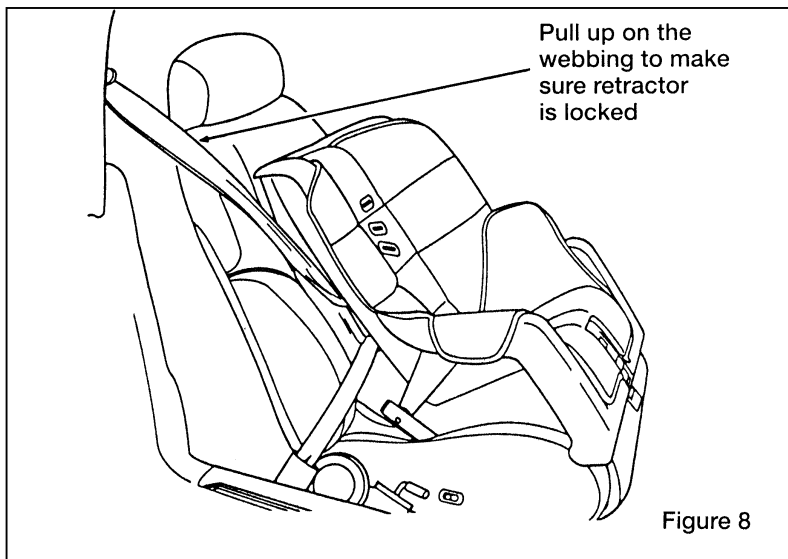
-
7. Before placing the child into the child seat, forcibly tilt the seat from side to side and in forward directions to make sure that the seat is securely held in place. See Figure 7.



Checking that the seat is secure

8. Double check the retractor is in the automatic locking mode. Try to pull more belt out of the retractor. If you cannot, the belt is in the automatic locking mode. See Figure 8.

Safety Restraints



Checking the retractor

9. Check to make sure that the seat is properly secured prior to each use. If the retractor is not locked, repeat steps 6 through 8.

NOTE: To remove retractor from the automatic lock mode, allow seat belt to retract fully to its stowed position and the retractor will automatically switch back to the vehicle sensitive locking mode for normal adult usage.

Installing a Child Safety Seat at the Rear Center Seating Position with Locking Adjustable Lap Belt

1. Lengthen the lap belt. To lengthen the belt, hold the tongue so that its bottom is perpendicular to the direction of webbing while sliding the tongue up the webbing.
2. Place the child safety seat in the center seating position.

-
3. Route the tongue and webbing through the child seat according to the child seat manufacturer's instructions.
 4. Insert the belt tongue into the proper buckle for the center seating position until you hear a snap and feel it latch. Make sure the tongue is securely fastened to the buckle by pulling on tongue.
 5. Push down on the child seat while pulling on the loose end of the lap belt webbing to tighten the belt.
 6. Before placing the child into the child seat, forcibly tilt the child seat from side to side and in forward directions to ensure that the seat is held securely in place. If the child seat moves excessively, repeat steps 5 through 6 or properly install the child seat in a different seating position.

Attaching Safety Seats With Tether Straps

Some manufacturers make safety seats that include a tether strap that goes over the back of the vehicle seat and attaches to an anchoring point. Other manufacturers offer the tether strap as an accessory. Contact the manufacturer of your child safety seat for information about ordering a tether strap.

You can attach a tether strap to the front passenger or second row seats by using the built-in tether anchors provided on the back of the seats as described below.

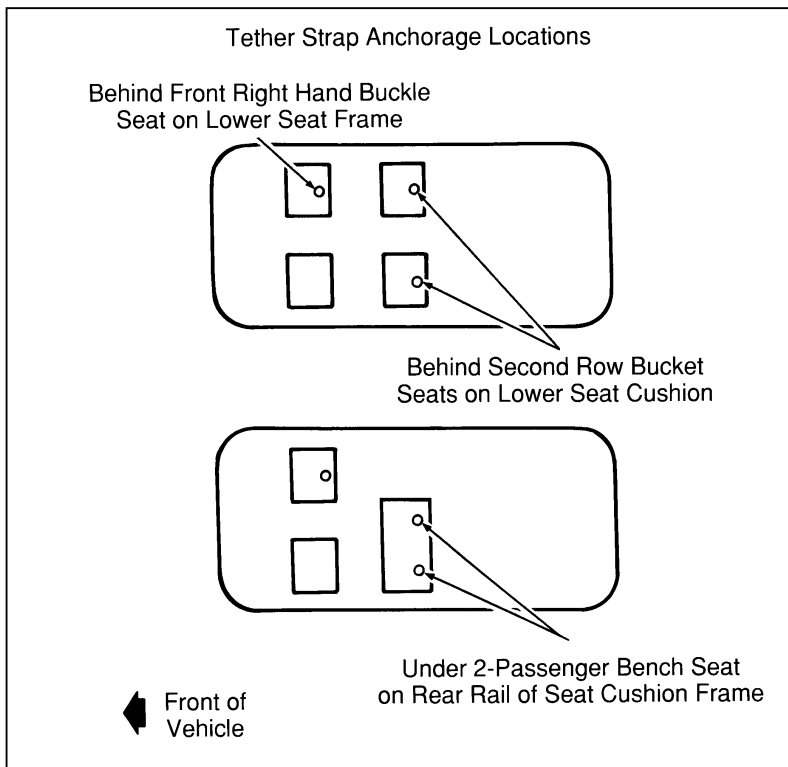
Follow the child seat manufacturer's instructions to attach the tether strap to the tether anchor.

| |
|--|
|  WARNING |
|--|

| |
|--|
| <p>Use only the tether attachment locations shown below. The tether anchor may not perform properly if the wrong mounting location is used.</p> |
|--|

Safety Restraints

Three tether strap anchor locations have been provided in your vehicle. They are as follows:



Tether strap anchor locations

- **FRONT PASSENGER SEATING POSITION** — You must use the tether strap anchor location provided on the back of the seat cushion frame. (Refer to Figure 1.)

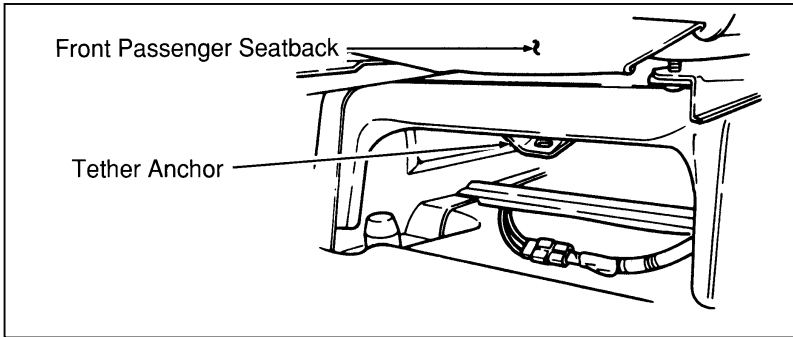


Figure 1: Tether anchor location — Front passenger seat

- **SECOND ROW BENCH (if equipped) SEATING POSITION** — You must use one of the two tether strap anchor locations (one each side) provided on the back of the seat cushion. (Refer to Figures 2 and 3.)

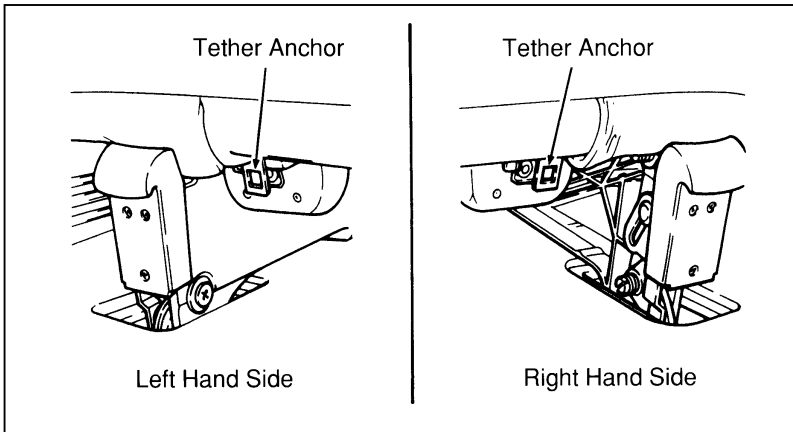


Figure 2: Tether anchor location — second row bench seat (with built-in child safety seat)

Safety Restraints

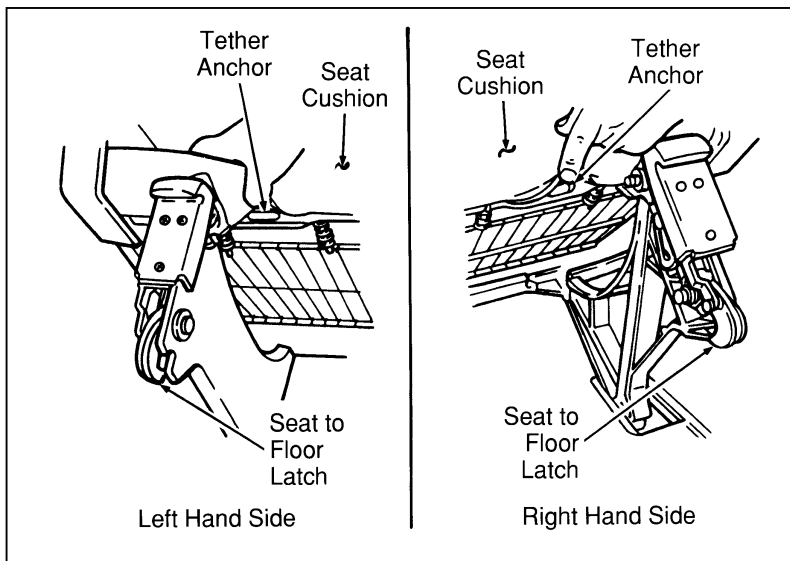


Figure 3: Tether anchor location — second row bench seat (without built-in child safety seat)

- **SECOND ROW BUCKET (if equipped) SEATING POSITION** — You must use the tether strap anchor location provided on the back of the seat cushion. (Refer to Figure 4.)

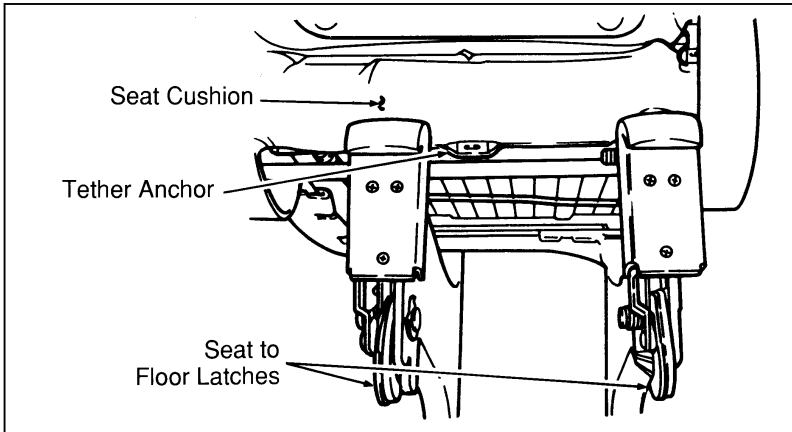


Figure 4: Tether anchor location — second row bucket seat

⚠ WARNING

Only use the tether attachment hole locations shown in the illustrations. The tether anchor may not perform properly if the wrong mounting location is used.

Once you have attached the safety seat, test the seat before you place the child in it. Tilt the seat from side to side. Also try to tug the seat forward. Check to see if the belt holds the seat in place.

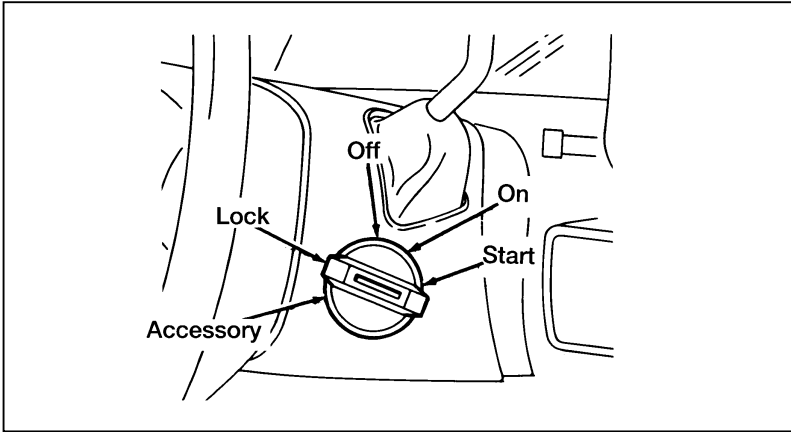
⚠ WARNING

If the safety seat is not anchored properly, the risk of a child being injured in a collision or sudden stop greatly increases.

Starting Your Windstar

Ignition

Understanding the Positions of the Ignition



The ignition positions

ACCESSORY allows you to operate some of your vehicle's electrical accessories while the engine is not running. For example, you can use **ACCESSORY** to turn on the radio or windshield wipers without starting the engine.

LOCK locks the steering wheel and the gearshift lever.

OFF allows you to shut off the engine and all accessories without locking the steering wheel, or the gearshift lever.

ON allows you to test your vehicle's warning lights to make sure they work before you start the engine. The key returns to the **ON** position once the engine is started and remains in this position while the engine runs.

START cranks the engine. Release the key once the engine starts so that you don't damage the starter. The key should return to the **ON** position when you release it. The **START** position also allows you to test the brake warning light.

Removing the Key From the Ignition

LOCK is the only position that allows you to remove the key from the ignition. The LOCK feature helps to protect your vehicle from theft, because it also locks the steering wheel and the gearshift lever when the key is removed.

If your key is stuck in the LOCK position, and you are unable to turn it, move your steering wheel left or right until the key turns freely.

To remove your key from the ignition:

1. Put the gearshift lever in P (Park).
2. Set the parking brake fully.
3. Turn the ignition key to LOCK.
4. Remove the key.

WARNING

When you leave your vehicle, place the gearshift lever in Park (P). Set the parking brake fully, and shut off the engine. Never park your vehicle in Neutral (N). If you do not take these precautions, your vehicle may move suddenly and injure someone.

WARNING

Do not leave children, unreliable adults, or pets alone in your vehicle. They could accidentally injure themselves or others through inadvertent operation of the vehicle. Further, on hot, sunny days, temperatures in a closed vehicle could quickly become high enough to cause severe and possibly fatal injuries to people as well as animals.

Starting Your Windstar

Fuel-Injected Engines

Since your vehicle has a fuel-injected engine, **the most important thing to remember is to avoid pressing down on the accelerator** while cranking the engine to start. Only use the accelerator when you have problems getting your vehicle started. See *Starting a Cold Engine* and *Starting a Warm Engine* later in this chapter for details about when to use the accelerator while you start your vehicle.

Preparing to Start Your Vehicle

| |
|--|
|  WARNING |
|--|

| |
|--|
| <p>Do not start your vehicle in a closed garage or in other enclosed areas. Exhaust fumes can be toxic. Always open the garage door before you start the engine. See <i>Guarding Against Exhaust Fumes</i> in this chapter for more instructions.</p> |
|--|

Before you start your vehicle, always:

1. Make sure you and all your passengers buckle your safety belts. See *Safety belts* in the Index for more details.
2. Make sure the headlamps and other accessories are turned off when starting.
3. Make sure that the gearshift lever is in Park (P) and the parking brake is set before you turn the key.

Before you start your vehicle, you should test the warning lights on the instrument cluster to make sure that they work. Refer to the *Warning Lights and Gauges* chapter.

Starting the Engine

To start the engine:

1. Follow the steps under *Preparing to Start Your Vehicle* and under *Testing the Warning Lights* in this section.
2. Keep your foot on the brake pedal and turn the ignition key to ON.
3. DO NOT depress the accelerator pedal when starting your engine. DO NOT use the accelerator until after the engine is running and you are ready to drive away.
4. Turn the key to the START position until the engine starts. (Release the key after the engine has started and it will return to the ON position.)

If you have difficulty in turning the key, rotate the steering wheel slightly to relieve any binding.

For a cold engine:

- At temperatures **10°F (-12°C) and below**: If the engine does not start in **fifteen (15) seconds** on the first try, turn the key to OFF, wait approximately ten (10) seconds so you do not flood the engine, then try again.
- At temperatures **above 10°F (-12°C)**: If the engine does not start in **five (5) seconds** on the first try, turn the key to OFF, wait approximately ten (10) seconds so you do not flood the engine, then try again.

For a warm engine:

- Do not hold the key in the START position for more than **five (5) seconds** at a time. If the engine does not start within five (5) seconds on the first try, turn the key to the OFF position. Wait a few seconds after the starter stops, then try again.

Starting Your Windstar

Whenever you start your vehicle, release the key as soon as the engine starts. Excessive cranking could damage the starter or flood the engine.

After you start the engine, let it idle for a few seconds. **Keep your foot on the brake pedal** and release the parking brake. Put the gearshift lever in gear, slowly release the brake pedal and drive away in the normal manner.

NOTE: Your vehicle has an interlock that prevents you from shifting out of P (Park) unless your foot is on the brake pedal.

If the engine still does not start after two attempts:

1. Turn the key to the OFF position and wait about two minutes.
2. Press the accelerator all the way to the floor and hold it.
3. Turn the key to the START position.
4. Release the key when the engine starts.
5. Release the accelerator gradually as the engine speeds up. Then drive away in the normal manner.

If the engine still does not start, the fuel pump shut-off switch may have been triggered. For directions on how to reset the switch see *Fuel Pump Shut-Off Switch* later in this chapter.

A computer system controls the engine's idle rpm. When you start your vehicle, the engine's idling rpm normally runs high. These faster engine speeds will make your vehicle move slightly faster than when the engine is at its normal warm engine idle speed. It should, however, slow down when the vehicle warms up. If it does not, have the idle rpm checked.

⚠ WARNING

Do not park, idle, or drive your vehicle in dry grass or other dry ground cover. The emission system heats up the engine compartment and exhaust system, which can start a fire.

**Using the Engine Block Heater (If equipped)
(Standard in Canada)**

Using your engine block heater is strongly recommended if you live in a region where temperatures consistently reach -20°F (-29°C) or below during the winter months. An engine block heater warms the engine coolant which improves starting, warms up the engine faster, and allows the heater-defrost system to respond more quickly.

⚠ WARNING

To prevent electrical shock, do not use your heater with ungrounded electrical systems or two-pronged (cheater) adapters.

For best results, plug the heater in at least three hours before you start your vehicle. Using the heater for longer than three hours will not damage the engine, so you can leave it plugged in all night to start your vehicle the following morning.

Starting Your Windstar

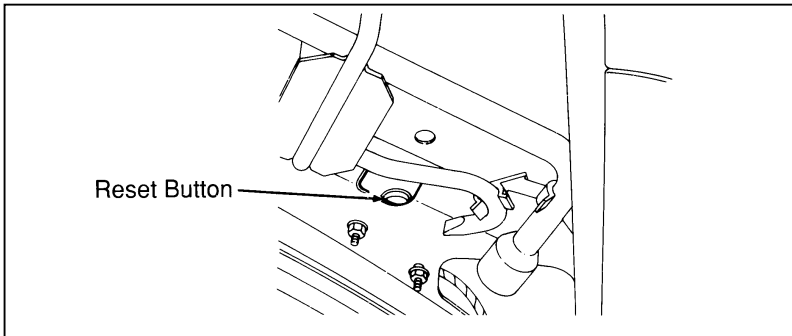
What To Do If The Engine Does Not Start

Fuel Pump Shut-Off Switch

If the engine cranks but does not start or does not start after a collision, the fuel pump shut-off switch may have been triggered. The shut-off switch is a device intended to stop the fuel pump when your vehicle has been involved in a substantial jolt.

Once the shut-off switch is triggered, you must reset the switch by hand before you can start your vehicle.

The fuel pump shut-off switch reset button is located behind the jack access cover under the jack in the cargo compartment.



Fuel pump shut-off switch reset button location

⚠️ WARNING

If you see or smell fuel, do not reset the switch or try to start your vehicle. Have all the passengers get out of the vehicle and call the local fire department or a towing service.

If your engine cranks, but does not start after a collision:

1. Turn the key in the ignition to the OFF position.
2. Check under the vehicle for leaking fuel.
3. If you do not see or smell fuel, push the fuel pump shut-off reset button down. If the red button is already set, you may have a different mechanical or electrical problem.
4. Turn the ignition key to the ON position for a few seconds, then turn it to the OFF position.
5. Check under the vehicle again for leaking fuel. If you see or smell fuel, do not start your vehicle again. If there is no fuel, you can try to start your vehicle again.
6. Check all vehicle warning lights before driving your vehicle.

Guarding Against Exhaust Fumes

Carbon monoxide, although colorless and odorless, is present in exhaust fumes.

| |
|--|
|  WARNING |
|--|

| |
|---|
| <p>Never let your vehicle idle in an enclosed area, and do not sit in a parked vehicle, (with the engine running) for more than a short period of time. Exhaust fumes, particularly carbon monoxide, might build up. These fumes are harmful and could kill you.</p> |
|---|

| |
|--|
|  WARNING |
|--|

| |
|--|
| <p>If you ever smell exhaust fumes of any kind inside your vehicle, have your dealer inspect and fix your vehicle immediately. Do not drive if you smell exhaust fumes. These fumes are harmful and could kill you.</p> |
|--|

Starting Your Windstar

Have the exhaust and body ventilation systems checked by a qualified technician whenever:

- your vehicle is raised for service
- the sound of the exhaust system changes
- your vehicle has been damaged in an accident

If the exhaust system has any indications of leaks it should be repaired immediately.

Improve your ventilation by keeping all air intake vents clear of snow, leaves, and other objects.

If the engine idles while you are stopped in an open area for long periods of time, open the windows at least one inch. Also, adjust the heating or air conditioning to bring in outside air.

Read the section *Climate Control Systems* for instructions on bringing fresh outside air into your vehicle. Refer to the Index.

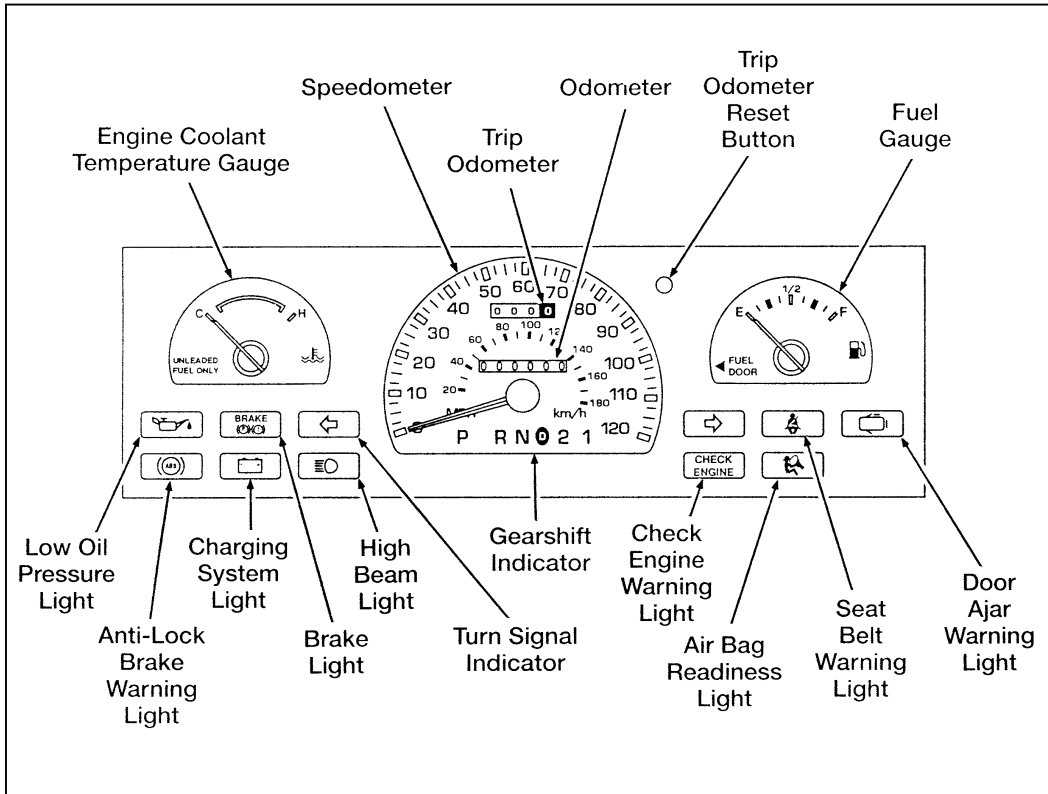
Warning Lights and Gauges

The instrument panel (dashboard) on your vehicle is divided into several different sections. The illustrations on the following pages show the major parts of the instrument panel that are described in this chapter. Some items shown may not be on all vehicles.

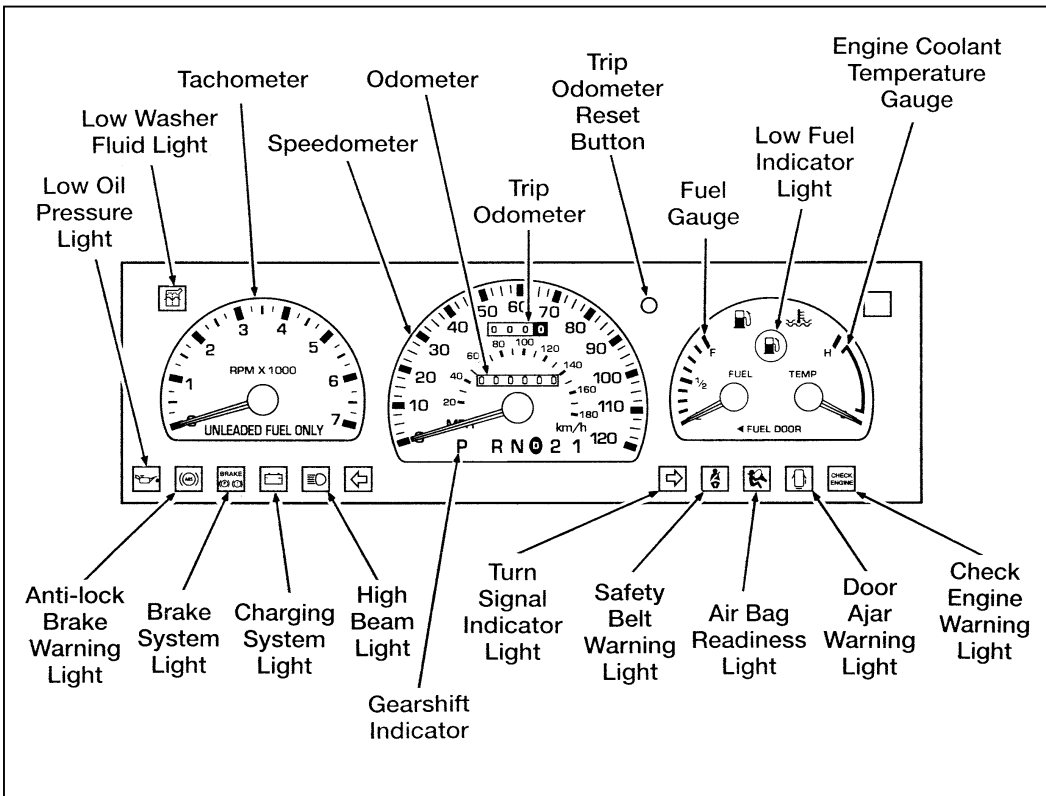
Your vehicle has one of the following clusters:

- Mechanical Cluster
- Mechanical Cluster with a tachometer
- Electronic Cluster

If you are not sure which cluster your vehicle has, check the diagrams on the following pages.



Warning Lights and Gauges



The mechanical cluster with tachometer

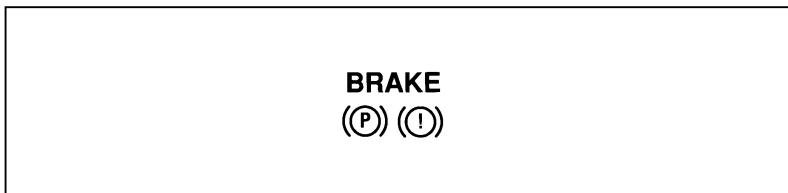
The Mechanical Cluster

The following warning lights and gauges are on the Mechanical Cluster. All of these indicators alert you to the status of vehicle systems or possible problems with your vehicle. Some of the lights listed are optional. The following section explains each of the indicators.

Warning and Indicator Lights

Brake System Light

The warning light for the brakes indicates two things — that either the parking brake is on or not fully released, or that the brake fluid level is low in the master cylinder reservoir. If the fluid level is low, the brake system should be checked by a qualified service technician.



The brake system light

The BRAKE light normally comes on when you turn the ignition key to the ON or START position to verify that the indicator bulb is working. If the light stays on or comes on when the engine is running and after you have released the parking brake fully, have the hydraulic brake system serviced.

| |
|--|
|  WARNING |
|--|

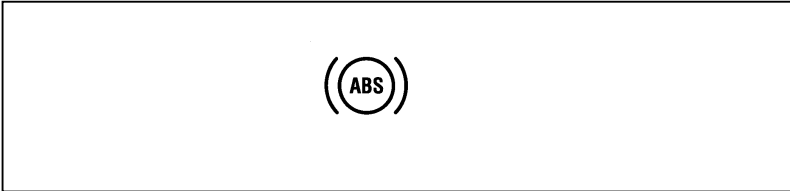
| |
|--|
| The BRAKE light indicates that the brakes may not be working properly. Have the brakes checked immediately. |
|--|

Warning Lights and Gauges

Anti-lock Brake System (ABS) Warning Light

To check the anti-lock brake warning light, turn the ignition key to the ON position. The ABS warning light should glow momentarily.

NOTE: If it does not glow at all or stays on for a long time, have your vehicle's electrical system checked immediately.



The anti-lock brake warning light

WARNING

If the anti-lock brake system warning light remains on or comes on while driving, have the braking system checked by a qualified service technician as soon as possible.

NOTE: If a fault occurs in the anti-lock system, and the brake warning light is not lit, the anti-lock system is disabled but normal brake function remains operational.

Safety Belt Warning Light and Chime

This warning light and chime remind you to fasten your safety belt. The following conditions will take place:

- If the driver does not fasten the safety belt before the ignition is turned to ON, the chime will sound for four (4) to eight (8) seconds and the light will illuminate for one (1) to two (2) minutes, or until the safety belt is fastened.

-
- If the driver fastens the safety belt before the ignition is turned to ON, the chime will not sound and the light will not illuminate.
 - If the safety belt is buckled while the light is on and the chime is sounding, both the light and the chime turn off.



The safety belt warning light

Check Engine Warning Light

The Powertrain On-Board Diagnostic II (OBD II) system consists of the hardware and software necessary to monitor the operation of the powertrain. The OBD II system is designed to check the function of the vehicle's powertrain control system during normal operation. If an emission problem is detected, the Check Engine Warning Light (in the cluster) is turned on.

A rectangular icon with a double border. Inside, the words "CHECK" and "ENGINE" are stacked vertically in a bold, sans-serif font.

**CHECK
ENGINE**

The check engine warning light

Modification or additions to the vehicle may cause incorrect operation of the OBD II system. Additions such as burglar alarms, cellular phones, and CB radios must be carefully installed. Do not install these devices by tapping into or running wires close to powertrain control system wires or components.

Warning Lights and Gauges

The light comes on briefly when you turn the ignition key to ON, but it should turn off when the engine starts. If the light does not come on when you turn the ignition to ON or if it comes on and stays on when you are driving, have your vehicle serviced as soon as possible. This indicates a possible problem with one of the vehicle's emission control systems. You do not need to have your vehicle towed in.

If the light turns on and off at one (1) second intervals while you are driving the vehicle, it means that the engine is misfiring. If this condition persists, damage could occur to the engine or catalytic convertor. Have your vehicle serviced at the first opportunity. You do not need to have your vehicle towed in.

If the light turns on and off on rare occasions while you are driving, it means that a malfunction occurred and the condition corrected itself.

An example of a condition which corrects itself occurs when an engine running out of fuel begins to misfire. In this case, the Check Engine Warning Light may turn on and will then set a Diagnostic Trouble Code indicating that the engine was misfiring while the last of the fuel was being consumed. After refueling, the Check Engine Warning Light will turn off after the vehicle has completed three consecutive warm up cycles without a misfire condition occurring. A warm up cycle consists of engine start from a cold condition (engine at ambient temperature) and running until the engine reaches normal operating temperature.

On the fourth engine start up, the Check Engine Warning Light will turn off as soon as the engine begins to crank. It is not necessary to have the engine serviced.

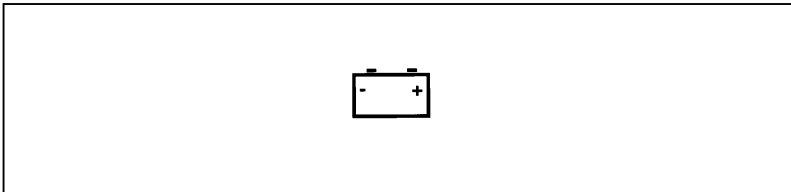
Under certain conditions, the Check Engine Warning Light may come on if the fuel cap is not properly installed. If the Check Engine Warning Light comes on and you suspect that the fuel cap is not properly installed, pull off the road as soon as it is safely possible and turn off the engine. Remove and replace the cap, making sure it is properly seated.

After completing the three consecutive warm up cycles and on the fourth engine start up, the Check Engine Warning Light should turn off. If the light does not go off after the fourth engine re-start, have your vehicle serviced by your dealer or a qualified technician.

Charging System Light

This light indicates that your battery is not being charged. The light comes on briefly during the display self-test every time you turn your ignition key to the ON position. The light will go off when the key is turned to the START position. The light should stay off when the self-test is done if the engine is running and the alternator is charging.

If the light stays on or comes on when the engine is running, have the electrical system checked as soon as possible.



The charging system light

Warning Lights and Gauges

Oil Pressure Light



The oil pressure light

This light indicates the engine's oil pressure, not the oil level. However, if your engine's oil level is low, it could affect the oil pressure. The light should come on every time your ignition key is turned to ON or START, and should go out when the engine starts. If the light stays on or turns on while the engine is running, you have lost oil pressure and continued operation will cause severe engine damage.

If you lose engine oil pressure:

1. Pull off the road as soon as safely possible.
2. Shut off the engine immediately. If you do not stop the engine as soon as safely possible, severe engine damage could result.
3. Check the engine's oil level. (See "Checking and Adding Engine Oil" in the *Servicing Your Vehicle* chapter of this Owner Guide.) If you do not follow these instructions, you or others could be injured. To ensure an accurate reading, your vehicle should be on level ground.
4. If the level is low, add only as much oil as necessary before you start the engine again. Do not overfill. Do not operate the engine if the light is on regardless of the oil level. Contact your nearest dealer for further service.

Door Ajar Warning Light

If the ignition switch is in the ON position and any door or the liftgate is not completely closed, the light will illuminate.

If the light illuminates, safely stop the vehicle and check and close all doors until the light turns off.



The door ajar warning light

Air Bag Readiness Light

This light indicates that the Air Bag system is not functional and needs to be serviced. The light illuminates for approximately six seconds when the ignition is turned to the ON position to verify that the indicator bulb is working. If the light fails to illuminate, flashes continuously, or remains on, have the air bag system serviced as soon as possible.

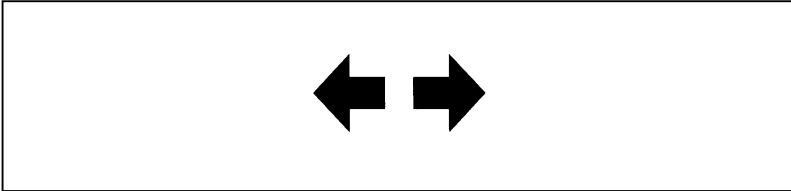


The air bag readiness light

Warning Lights and Gauges

Turn Signal Indicator Lights

See “Turn Signals” in the *Steering Column Controls* chapter of this Owner Guide.

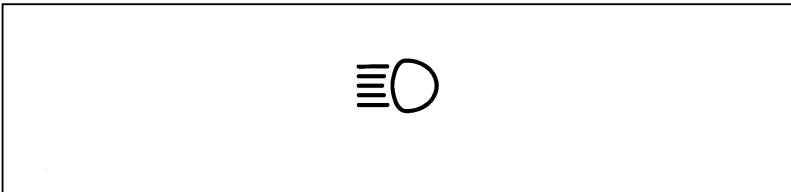


The turn signal indicator lights

If one or both of your turn signal indicators does not light up or remains on continuously when you signal a turn, have the turn signaling system serviced as soon as possible.

High Beam Light

This light comes on when the headlamps are turned to high beam or when the high beams are flashed. If your vehicle is equipped with Daytime Running Lights (Canadian vehicles only) and the headlamps are on when the high beams are flashed, the high beam indicator will not light.



The high beam indicator light

Low Windshield Washer Fluid Level Warning (Optional Chime with Light)

This light indicates that the level of your washer fluid is low, and you have to add more fluid. This light comes on briefly after you turn your ignition key from the START to the ON position. If the washer fluid is low, a one second chime will sound and the light will remain on for 60 seconds. If the washer fluid is not low, the light should turn off a few seconds after the engine has started. The light and chime also come on if the washer fluid is low when you use your windshield washers.

The washer fluid is only checked when the engine is started or the windshield washers are in operation. The light will not come on if the fluid level becomes low while you are driving unless you turn on the windshield washers.



The low windshield washer indicator light

Low Fuel Indicator Light

This light comes on when your fuel gauge indicates approximately 1/16 of a tank. The ignition must be turned to ON in order for this light to come on.



The low fuel indicator light

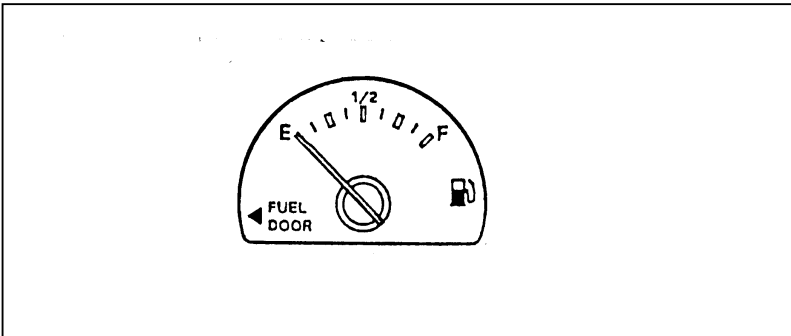
Warning Lights and Gauges

Gauges

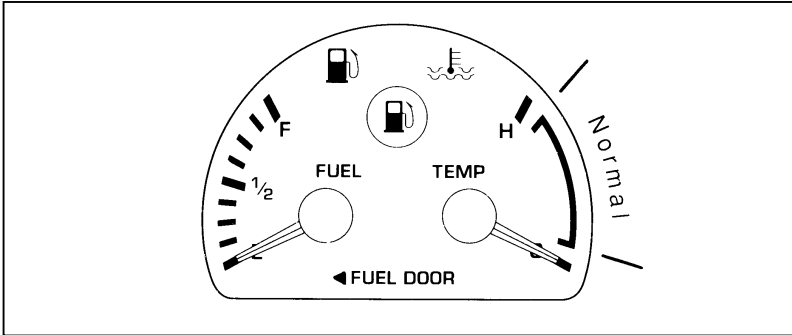
Fuel Gauge

The fuel gauge displays approximately how much fuel is in the fuel tank only when the ignition is ON. For proper fuel gauge indication after adding fuel, the ignition should be in the OFF position while the vehicle is being refueled.

The fuel gauge indicator may also vary slightly when the vehicle is in motion. With the ignition OFF, the fuel gauge indicator may drift from the ignition ON position as well.



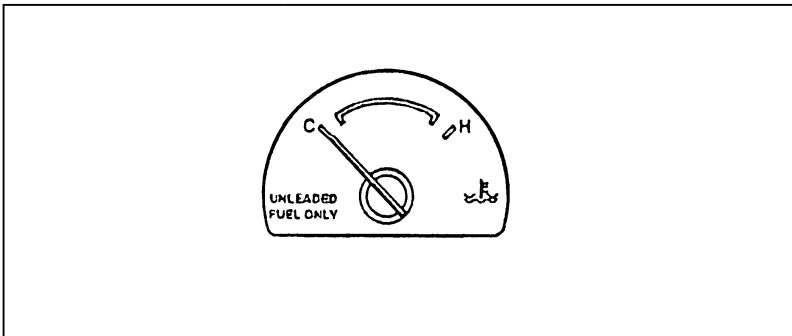
Fuel gauge — base cluster



The engine coolant temperature and fuel gauge

Engine Coolant Temperature Gauge

This gauge indicates the temperature of the engine coolant, not the coolant level. If the coolant is not at its proper level or mixture, the gauge indication will not be accurate.



Engine coolant temperature gauge — base cluster

Warning Lights and Gauges

The pointer moves from the C (cold) mark into the NORMAL band as the engine coolant warms up. It is acceptable for the pointer to fluctuate within the normal band under normal driving conditions. Under certain driving conditions such as heavy stop and go traffic, or driving up hills in hot weather, the pointer may indicate at the top of the NORMAL band. This is also acceptable.

If, under any circumstances, the pointer moves above the NORMAL band, the engine coolant is overheating and continued operation may cause engine damage.

If your engine coolant overheats:

1. Pull off the road as soon as it is safely possible.
2. Turn off the engine. If you do not stop the engine as soon as safely possible, severe engine damage could result.
3. Let the engine cool. **DO NOT REMOVE COOLANT SYSTEM FILL CAP UNTIL THE ENGINE IS COOL.**
4. Check the coolant level following the instructions on checking and adding coolant to your engine in this Owner Guide. See *engine coolant* in the index. If you do not follow these instructions, you or others could be injured.

If the coolant continues to overheat, have the coolant system serviced.

Speedometer

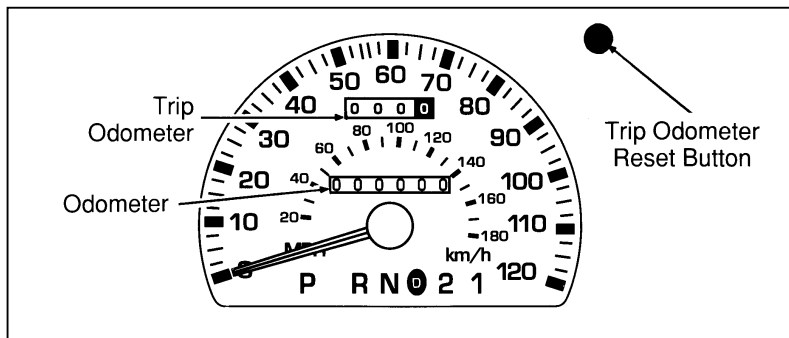
The speedometer tells you how many miles (kilometers) per hour your vehicle is moving.

Odometer

The odometer records the total distance the vehicle has been driven.

Trip Odometer

The trip odometer records the distance of individual trips. Before each trip, set the trip odometer to zero by pushing the reset button.



The speedometer, odometer and trip odometer

Tachometer (If equipped)

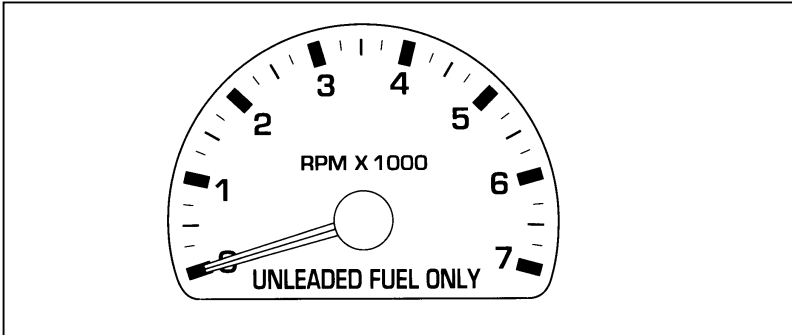
The tachometer will show you the engine's speed measured in revolutions per minute (RPM).

The tachometer may move slightly when the key is placed in the ACC or ON position, with the engine off. This is normal and does not affect the performance of the tachometer when the engine is running.

Some vehicles are equipped with an engine speed (RPM) limiting device that is contained within the Electronic Engine Control Module. The purpose of this device is to maintain peak engine speed (RPM) below a specified limit. (Engine speed limits may vary based on engine size.)

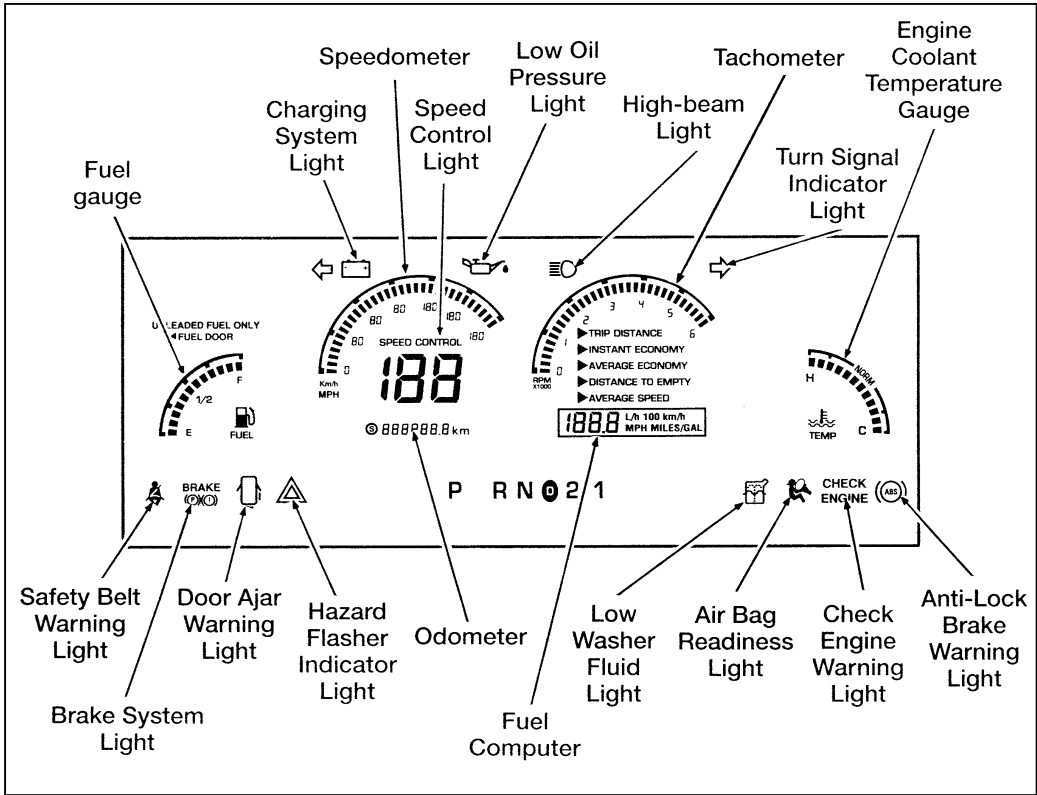
Warning Lights and Gauges

If you are experiencing an “engine cut-out” condition at high speeds, it may be the result of this limiting device. It is a normal condition and can be avoided by reducing vehicle/engine speed.



The tachometer

The electronic cluster



Warning Lights and Gauges

Electronic Cluster (If Equipped)

The Electronic Cluster works only when your ignition is in the ON position. Each time you start your vehicle, the displays go through a self-test by lighting up all segments for about one second and then turning off all segments for about one second, before displaying actual gauge readings. (The turn signal and high beam indicators do not light during the self-test. The LOW OIL light may remain on throughout the self-test and for several seconds after normal readings are displayed.) This self-test demonstrates that all of the display segments are working properly.

The electronic cluster has three major functions to provide you with information about your vehicle's operating status:

- Warning and Indicator Lights
- Electronic Gauges
- The Fuel Computer

Warning and Indicator Lights

Safety Belt Warning Light and Chime

This warning light and chime remind you to fasten your safety belt. The following conditions will take place:

- If the driver does not fasten the safety belt before the ignition is turned to ON, the chime will sound for four (4) to eight (8) seconds and the light will illuminate for one (1) to two (2) minutes, or until the safety belt is fastened.
- If the driver fastens the safety belt before the ignition is turned to ON, the chime will not sound and the light will not illuminate.
- If the safety belt is buckled while the light is on and the chime is sounding, both the light and the chime turn off.



The safety belt warning light

Brake System Light

The warning light for the brakes indicates two things — that either the parking brake is on or not fully released, or that the brake fluid level is low in the master cylinder reservoir. If the fluid level is low, the brake system should be checked by a qualified service technician.



BRAKE
(P) (!

The brake system light

The BRAKE light normally comes on when you turn the ignition key to the ON or START position to verify that the indicator bulb is working. If the light stays on or comes on when the engine is running and after you have released the parking brake fully, have the hydraulic brake system serviced.

⚠ WARNING

The BRAKE light indicates that the brakes may not be working properly. Have the brakes checked immediately.

Warning Lights and Gauges

Air Bag Readiness Light

This light indicates that the Air Bag system is not functional and needs to be serviced. The light illuminates for approximately six seconds when the ignition is turned to the ON position to verify that the indicator bulb is working. If the light fails to illuminate, flashes continuously, or remains on, have the air bag system serviced as soon as possible.



The air bag readiness light

Charging System Light

This light indicates that your battery is not being charged. The light comes on briefly during the display self-test every time you turn your ignition key to the ON position. The light will go off when the key is turned to the START position. The light should stay off when the self-test is done if the engine is running and the alternator is charging.

If the light stays on or comes on when the engine is running, have the electrical system checked as soon as possible.



The charging system light

Check Engine Warning Light

The Powertrain On-Board Diagnostic II (OBD II) system consists of the hardware and software necessary to monitor the operation of the powertrain. The OBD II system is designed to check the function of the vehicle's powertrain control system during normal operation. If an emission problem is detected, the Check Engine Warning Light (in the cluster) is turned on.

A rectangular box containing the text "CHECK ENGINE" in a bold, sans-serif font. The text is arranged in two lines: "CHECK" on the top line and "ENGINE" on the bottom line. The box has a thin black border.

CHECK
ENGINE

The check engine warning light

Modification or additions to the vehicle may cause incorrect operation of the OBD II system. Additions such as burglar alarms, cellular phones, and CB radios must be carefully installed. Do not install these devices by tapping into or running wires close to powertrain control system wires or components.

The light comes on briefly when you turn the ignition key to ON, but it should turn off when the engine starts. If the light does not come on when you turn the ignition to ON or if it comes on and stays on when you are driving, have your vehicle serviced as soon as possible. This indicates a possible problem with one of the vehicle's emission control systems. You do not need to have your vehicle towed in.

If the light turns on and off at one (1) second intervals while you are driving the vehicle, it means that the engine is misfiring. If this condition persists, damage could occur to the engine or catalytic convertor. Have your vehicle serviced at the first opportunity. You do not need to have your vehicle towed in.

Warning Lights and Gauges

If the light turns on and off on rare occasions while you are driving, it means that a malfunction occurred and the condition corrected itself.

An example of a condition which corrects itself occurs when an engine running out of fuel begins to misfire. In this case, the Check Engine Warning Light may turn on and will then set a Diagnostic Trouble Code indicating that the engine was misfiring while the last of the fuel was being consumed. After refueling, the Check Engine Warning Light will turn off after the vehicle has completed three consecutive warm up cycles without a misfire condition occurring. A warm up cycle consists of engine start from a cold condition (engine at ambient temperature) and running until the engine reaches normal operating temperature.

On the fourth engine start up, the Check Engine Warning Light will turn off as soon as the engine begins to crank. It is not necessary to have the engine serviced.

Under certain conditions, the Check Engine Warning Light may come on if the fuel cap is not properly installed. If the Check Engine Warning Light comes on and you suspect that the fuel cap is not properly installed, pull off the road as soon as it is safely possible and turn off the engine. Remove and replace the fuel cap, making sure it is properly seated.

After completing three (3) consecutive warm up cycles and on the fourth engine start up, the Check Engine Warning Light should turn off. If the light does not go off after the fourth engine re-start, have your vehicle serviced by your dealer or a qualified technician.

Anti-lock Brake System (ABS) Warning Light

To check the anti-lock brake warning light, turn the ignition key to the ON position. The ABS warning light should glow momentarily.

NOTE: If it does not glow at all or stays on for a long time, have your vehicle's electrical system checked immediately.



The anti-lock brake warning light

| |
|--|
|  WARNING |
|--|

| |
|--|
| <p>If the anti-lock brake system warning light remains on or comes on while driving, have the braking system checked by a qualified service technician as soon as possible.</p> |
|--|

NOTE: If a fault occurs in the anti-lock system, and the brake warning light is not lit, the anti-lock system is disabled but normal brake function remains operational.

Warning Lights and Gauges

Oil Pressure Light



The oil pressure light

This light indicates the engine's oil pressure, not the oil level. However, if your engine's oil level is low, it could affect the oil pressure. The light will come on briefly during the display self-test every time you turn your key to the ON position. The light will go off when the key is turned to the START position. The light should stay off when the self-test is done if the engine is running with normal oil pressure. If the light comes on while the engine is running, you have lost oil pressure and continued operation will cause severe engine damage.

If you lose engine oil pressure:

1. Pull off the road as soon as safely possible.
2. Shut off the engine immediately. If you do not stop the engine as soon as safely possible, severe engine damage could result.
3. Check the engine's oil level. (See "Checking and Adding Engine Oil" in the *Servicing Your Vehicle* chapter of this Owner Guide.) If you do not follow these instructions, you or others could be injured. To ensure an accurate reading, your vehicle should be on level ground.
4. If the level is low, add only as much oil as necessary before you start the engine again. Do not overfill. Do not operate the engine if the light is on regardless of the oil level. Contact your nearest dealer for further service.

Door Ajar Warning Light

If the ignition switch is in the ON position and any door or the liftgate is not completely closed, the light will illuminate.

If the light illuminates, safely stop the vehicle and check and close all doors until the light turns off.



The door ajar warning light

High Beam Light

This light comes on when the headlamps are turned to high beam or when the high beams are flashed. If your vehicle is equipped with Daytime Running Lights (Canadian vehicles only) and the headlamps are on when the high beams are flashed, the high beam indicator will not light.



The high beam indicator light

Warning Lights and Gauges

Low Windshield Washer Fluid Level Warning Light

This light indicates that the level of your washer fluid is low, and you have to add more fluid. This light comes on briefly after you turn your ignition key from the START to the ON position. If the washer fluid is low, a one second chime will sound and the light will remain on for 60 seconds. If the washer fluid is not low, the light should turn off a few seconds after the engine has started. The light and chime also come on if the washer fluid is low when you use your windshield washers.

The washer fluid is only checked when the engine is started or the windshield washers are in operation. The light will not come on if the fluid level becomes low while you are driving unless you turn on the windshield washers.



The low windshield washer indicator light

Speed Control Indicator

A SPEED CONTROL light is displayed in the optional electronic instrument cluster when the speed control system is engaged. The display will turn off when the brake pedal is pressed or if speed control is shut off.

This display does not indicate any problems with the speed control, but is simply a convenient way of knowing when it is active.

SPEED CONTROL

The speed control light

Turn Signal Indicator Lights

See “Turn Signals” in the *Steering Column Controls* chapter of this Owner Guide.



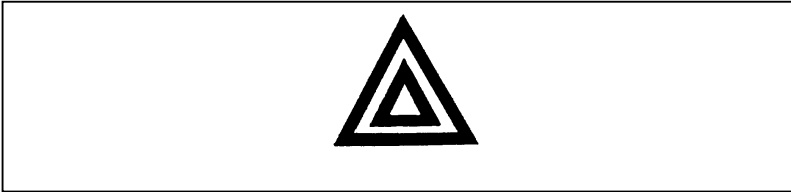
The turn signal indicator lights

If one or both of your turn signal indicators does not light up or remains on continuously when you signal a turn, have the turn signaling system serviced as soon as possible.

Warning Lights and Gauges

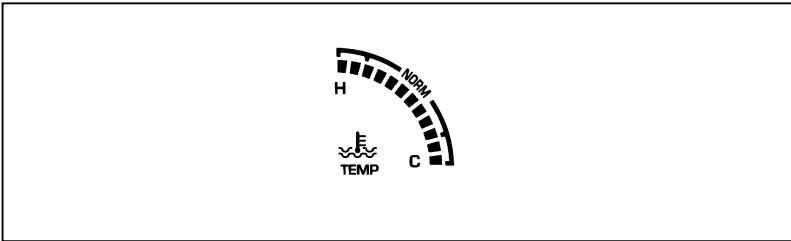
Hazard Flasher Indicator Light

This light flashes when you turn on the hazard flashers. If your ignition is ON, the turn signal indicator lights in the electronic cluster will flash in time with the hazard flashers.



Electronic Gauges

Engine Coolant Temperature Gauge



Engine coolant temperature gauge

This gauge indicates the temperature of the engine's coolant, not the coolant level. If the coolant is not at its proper level or mixture, the gauge indication will not be accurate. The gauge is identified by a thermometer symbol, an "H" (hot), and a "C" (cold). The "NORM" indicates the normal operating range. The bars will move into the normal operating range as the engine coolant warms up. It is acceptable for the bars to fluctuate within the normal operating range under normal driving conditions. Under certain driving conditions, such as heavy stop and go traffic, or driving up hills in hot weather, the gauge may

indicate at the top of the NORMAL band. This is also acceptable.

If, under any circumstances, the bars move above the NORMAL band, the temperature symbol will flash and a chime will sound to alert the driver that the engine coolant is overheating and continued operation may cause engine damage.

If your engine coolant overheats:

1. Pull off the road as soon as it is safely possible.
2. Turn off the engine. If you do not stop the engine as soon as safely possible, severe engine damage could result.
3. Let the engine cool. **DO NOT REMOVE COOLANT SYSTEM FILL CAP UNTIL THE ENGINE IS COOL.**
4. Check the coolant level following the instructions on checking and adding coolant to your engine in this Owner Guide. See *engine coolant* in the index. If you do not follow these instructions, you or others could be injured.

If the coolant continues to overheat, have the coolant system serviced.

If the temperature gauge displays only the top two and bottom two bars, the temperature indication system is indicating that it requires servicing. Take the vehicle to a dealership for service as soon as possible.

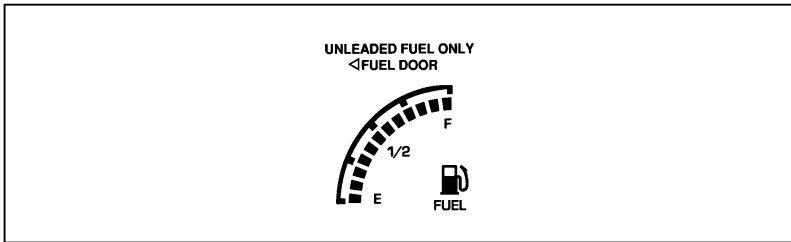
Fuel Gauge

The fuel gauge displays approximately how much fuel you have in the fuel tank. The number of bars illuminated in the display indicates fuel level. Your ignition must be in the ON position to read the fuel gauge. Read the fuel level at the top bar that is lit. When only one bar on the gauge is lit, the fuel pump symbol on the gauge will flash to warn you of a low fuel level condition.

Warning Lights and Gauges

If the fuel gauge displays only the top two bars and bottom two bars, or if the Distance to Empty function in the fuel computer displays CO or CS, you must have the fuel indication system serviced.

Turn your ignition to OFF while fueling to obtain an accurate fuel gauge indication. If you do not turn your ignition off, the fuel gauge will not display the new fuel level immediately, but will slowly increase to the correct value.

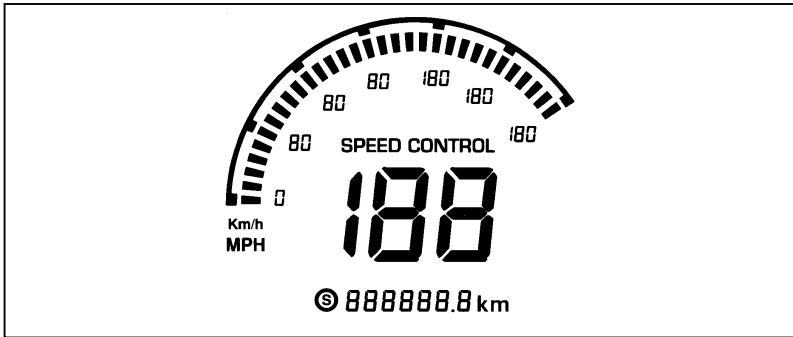


The fuel gauge

Speedometer

The electronic speedometer in the left center of the cluster has two displays that indicate how fast your vehicle is moving in miles or kilometers per hour. Press the fuel computer E/M (English/Metric) button to switch between MPH and km/h. The main digital speedometer indicates speed up to 120 MPH (199 km/h). The secondary bar graph speedometer indicates approximate speed up to 120 MPH in steps of 4 MPH (180 km/h in steps of 6 km/h). The bar graph speedometer shows your approximate speed relative to the full scale, and it gives you a visual indication of how fast your speed is changing when you accelerate or decelerate.

Your vehicle may not actually be able to travel at the maximum speeds indicated by the speedometer due to a speed limiter in the Electronic Engine Control module. The purpose of the limiter is to maintain vehicle speed below a specified limit to ensure safe vehicle operation.



The speedometer and odometer

Odometer

The odometer displays the total number of miles or kilometers your vehicle has been driven. Press the fuel computer E/M (English/Metric) button to switch between miles and kilometers.

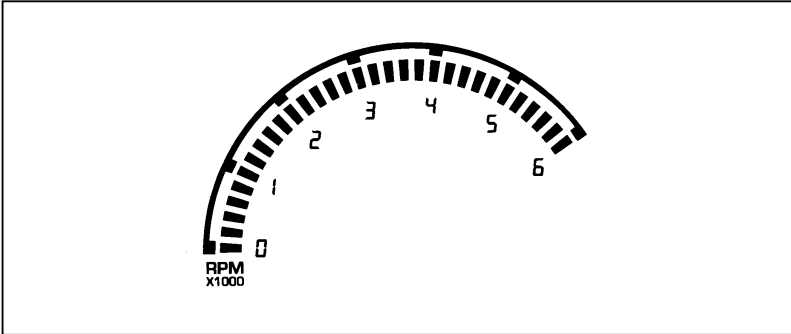
If the electronic cluster is replaced and the mileage on the old odometer is unknown, the replacement cluster will be set to zero miles (kilometers), and the circle “S” symbol to the left of the odometer will be lit to indicate that a service cluster has been installed. A label showing the estimated mileage will then be attached to the door pillar. If the actual mileage can be verified, an authorized service center can program the correct mileage into the replacement cluster, and the circled “S” will not be lit.

If the odometer displays the word “Error,” have your vehicle serviced.

Warning Lights and Gauges

Tachometer

The electronic bar graph tachometer in the right center of the cluster displays the approximate engine speed in revolutions per minute (RPM). Each bar on the display represents 200 RPM.



The tachometer

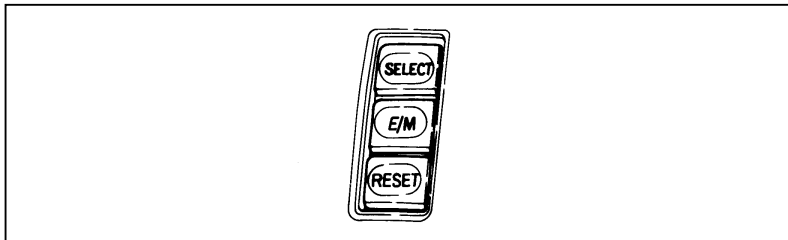
Fuel Computer

The Electronic Cluster Fuel Computer display is located under the tachometer and consists of a menu and a digital display. The fuel computer can display five different functions. They are:

- Trip distance
- Instantaneous fuel economy
- Average fuel economy
- Distance to empty
- Average speed

Fuel Computer Buttons

The fuel computer functions are controlled by the three buttons located to the right of the electronic cluster:



The fuel computer buttons

SELECT — The SELECT button lets you choose the function displayed by the fuel computer. Each time you press the SELECT button, the fuel computer points to the next choice on the menu. After it reaches the last choice, it returns to the top of the menu.

E/M — The E/M button lets you switch the fuel computer functions and the speedometer and odometer displays between English and metric units. The displays remain in the chosen units until you switch them again, even after you turn off the vehicle and restart it.

RESET — The RESET button lets you reset or initialize the fuel computer function that is displayed. Only TRIP DISTANCE, AVERAGE ECONOMY, and AVERAGE SPEED can be reset.

Any time one of the fuel computer buttons is pressed, a short chime will sound.

Warning Lights and Gauges

The Fuel Computer Functions

The complete fuel computer menu is displayed for about five seconds after the cluster self-test (when the ignition is turned to ON) and after the SELECT button is pressed. After five seconds, only the selected function is displayed.

TRIP DISTANCE

Your trip distance is the distance you have traveled since the last reset. To display your current trip distance, press the SELECT button until the pointer is at TRIP DISTANCE. To reset the trip distance to zero, press the RESET button while the pointer is at TRIP DISTANCE. You may want to use this feature to see how far you have traveled on a particular trip.

If you do not reset your trip distance, the display will roll over to zero when it passes 1999 miles or kilometers. If you switch from miles to kilometers after you have passed 1242 miles (1999 kilometers), you must add 2000 to the kilometers display for actual distance traveled. The display will then roll over to zero when it passes 1218 kilometers (3218 kilometers or 1999 miles traveled) whether you select English or metric units. If the display is in metric units when you pass 1999 kilometers (1242 miles), both English and metric trip distances will roll over to zero.

INSTANT ECONOMY

Your instantaneous fuel economy is your vehicle's fuel economy over the last one second of driving. To display your instantaneous fuel economy, press SELECT until the pointer is at INSTANT ECONOMY. Your instantaneous fuel economy changes with your driving conditions. Factors affecting fuel economy include braking, acceleration, and road terrain. You may want to use this feature to see how your driving habits affect your fuel economy. INSTANT ECONOMY is not resettable.

Your instantaneous fuel economy can vary from 0 to 99 miles per gallon or from 99 to 2 liters per 100 kilometers when your vehicle is moving. When your vehicle is not moving, fuel economy is displayed as 0 miles per gallon or as a number of liters per hour. In the metric mode, instantaneous fuel economy will display in liters per hour when your vehicle speed drops below 5 km/h and will stay in liters per hour until your speed exceeds 7 km/h.

AVERAGE ECONOMY

Your average fuel economy is the average value of your fuel economy since the last reset. To display your average fuel economy, press SELECT until the pointer is at AVERAGE ECONOMY. The fuel computer calculates average fuel economy from the distance traveled and the fuel used (as reported by the Electronic Engine Control module). Press the RESET button when AVERAGE ECONOMY is selected to reset the average fuel economy. You may want to use this feature to see how your fuel economy changes each day or for each tank of fuel.

If you calculate your fuel economy based on the odometer distance traveled and the amount of fuel you pump into the tank, your number may be different than the fuel computer number for various reasons. Most likely, the top level of fuel added may be different between fill-ups, causing an incorrect estimate of the amount of fuel used.

DISTANCE TO EMPTY

Your distance to empty is the approximate number of miles or kilometers that you can drive before you run out of fuel. To display your distance to empty, press SELECT until the pointer is at DISTANCE TO EMPTY. The fuel computer calculates distance to empty from the amount of fuel in the tank and an internally determined fuel economy value, which is not the same as the AVERAGE ECONOMY number. DISTANCE TO EMPTY is not resettable. You may want to use this feature to plan when your next fuel fill-up should be.

Warning Lights and Gauges

Your distance to empty may change faster or slower than actual distance traveled because your fuel economy varies with changing driving conditions.

The fuel computer will automatically warn you when your distance to empty is low. When your distance to empty reaches 50 miles (80 km), 25 miles (40 km) and 10 miles (20 km), the fuel computer will automatically select DISTANCE TO EMPTY, flash the number for five seconds, and sound a one second chime.

If the Distance to Empty function displays CO or CS, you must have the fuel indication system serviced.

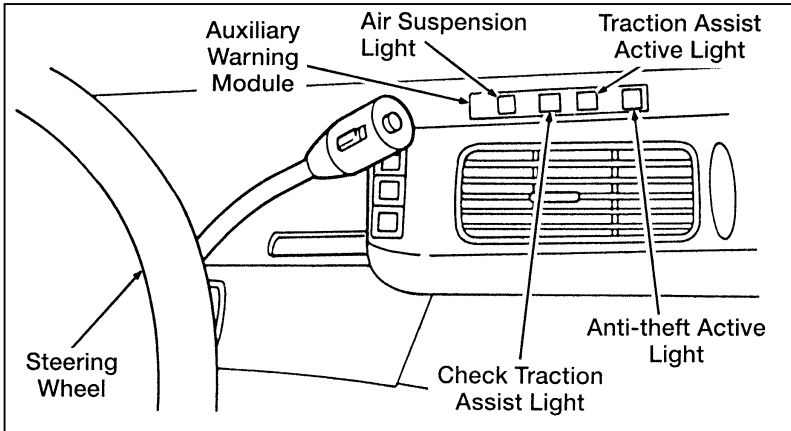
Turn your ignition to OFF while fueling to obtain an accurate distance to empty reading. If you do not turn your ignition off, the fuel computer will not display the new distance to empty immediately, but will slowly increase to the correct value.

AVERAGE SPEED

Your average speed is the average speed your vehicle has traveled while the ignition was ON since the last reset. To display your average speed, press SELECT until the pointer is at AVERAGE SPEED. Press the RESET button when AVERAGE SPEED is selected to reset the average speed. You may want to use this feature to see what your average speed is during daily driving or on a long trip.

Auxiliary Warning Module (If equipped)

An additional bank of indicator and warning lights is located above the driver's side vent, just to the right of the steering wheel. The light(s) located in this module are described and illustrated below.



The auxiliary warning module

Traction Control Active Light

This light comes on when the Traction Control system begins applying and releasing the brakes and adjusting the engine characteristics to limit a wheelspin condition. You may feel some steering changes and hear some noise, but this is normal.

**TRAC
ACTIVE**

Warning Lights and Gauges

The Traction Control light will stay on for a minimum of four seconds.

Check Traction Assist Light

This light comes on when the Traction Control system is not operating. In some conditions, you may want to turn Traction Control off, such as when rocking your vehicle out of deep snow or mud.



Traction Control will automatically turn off to prevent the brakes from overheating. The system will turn back on once the brakes have cooled down.

NOTE: If the TRAC OFF light is flashing repeatedly, it means that there is a Traction Control system malfunction and the system is inoperative. Contact your dealer for service as soon as possible.

Anti-Theft Active Indicator Light

This indicator is used in the optional Anti-Theft System. See “Anti-Theft System” in the *Features* chapter of this Owner Guide.



The anti-theft active indicator light

Air Suspension Warning Light



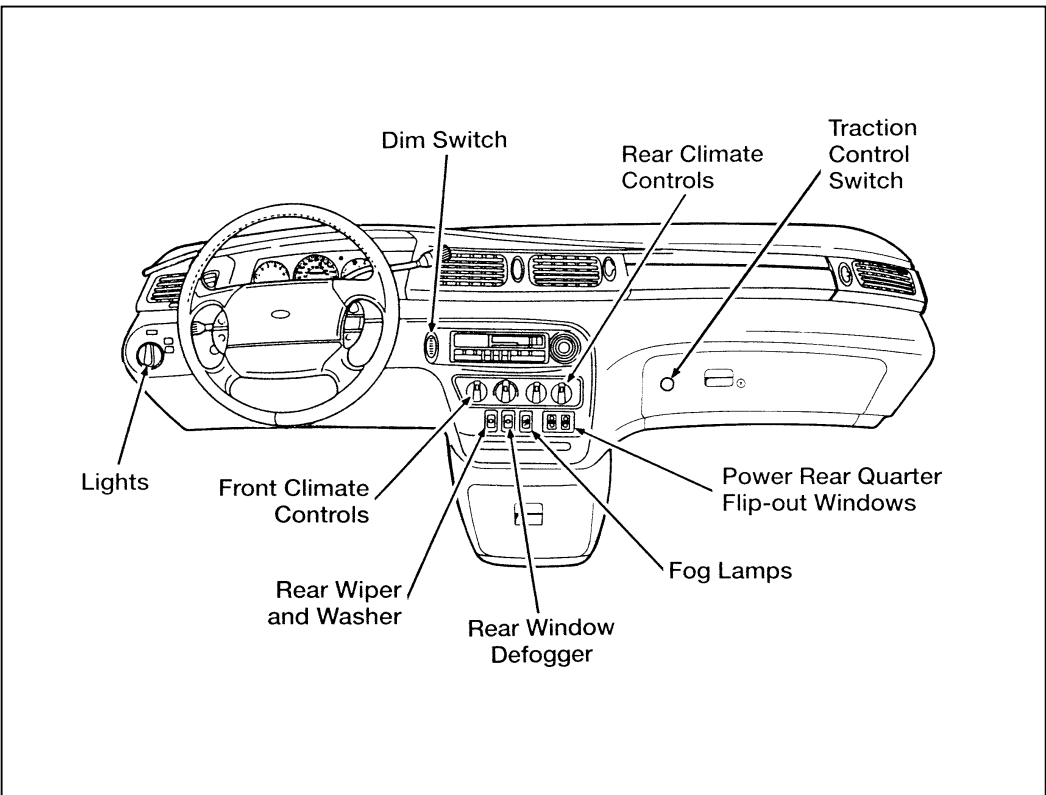
The air suspension warning light

The warning light for the Air Suspension indicates one of two things:

1. The service switch (located in the jack storage area) is in the “off” position.
2. A system malfunction has occurred electronically disabling Air Suspension function.

NOTE: If the switch is returned to or in the “ON” position and the light does not go out after recycling the ignition switch OFF/ON, the Air Suspension should be checked by a qualified service technician.

Instrument Panel Controls



The instrument panel

The instrument panel (dashboard) on your vehicle is divided into several different sections. Illustrations are provided for the major parts of the instrument panel that are explained in this chapter. Some items shown may not be on all vehicles.

The controls for the climate control systems, headlamps, dim switch, rear window defogger, fog lamps, power rear quarter windows, Traction Control, clock/radio and the rear window washer and wiper are all on the instrument panel.

NOTE: Any cleaner or polish that increases the gloss (shine) of the upper part of the instrument panel should be avoided. The dull finish in this area is to help protect the driver from undesirable windshield reflection.

Cleaning the Instrument Panel Lens

Clean the instrument panel lens with a soft cloth and a glass cleaner, such as Ford Ultra-Clear Spray Glass Cleaner, or equivalent. Do not use paper towel or any abrasive cleaner to clean the lens as these may cause scratches.

Climate Control Systems

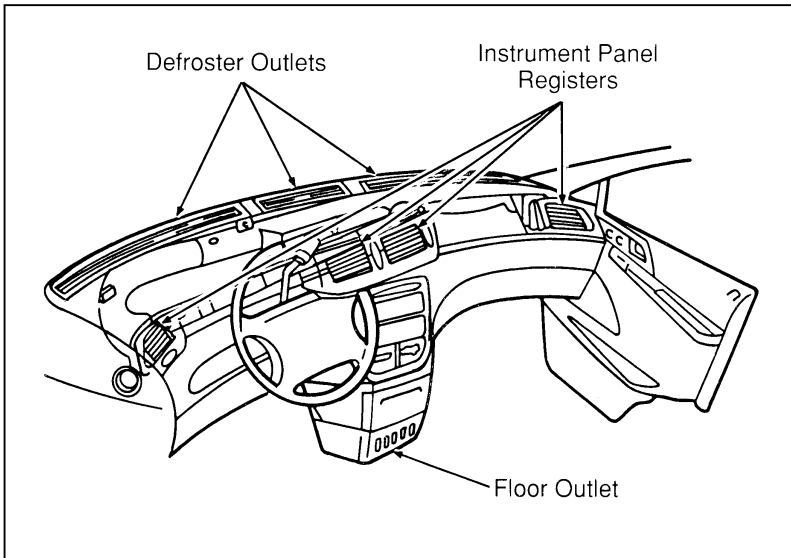
Your vehicle is equipped with a control assembly designed to handle either a combination A/C-Heater System or a Heater-Only System. Main Heater-Only Systems are standard equipment. Main and Rear Heater-Only Systems, Main A/C-Heater Systems, and Main and Rear A/C-Heater Systems are optional.

If your vehicle has a rear system, the front control will be equipped with a rear fan control knob plus another fan speed control knob which is installed in the rear.

Instrument Panel Controls

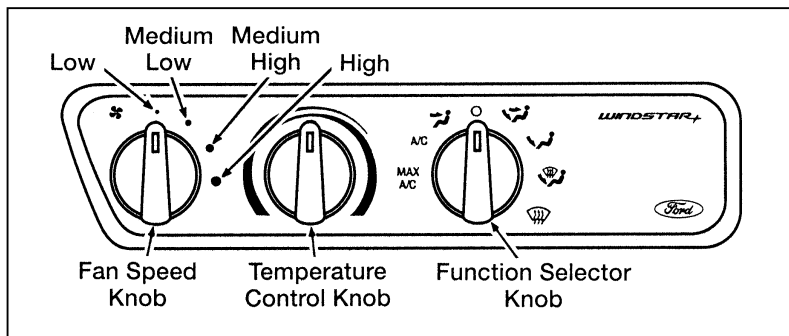
Instrument Panel Registers

There are four registers in the instrument panel. Each of these registers contain a louver assembly which can be manually adjusted to direct airflow UP, DOWN, LEFT and RIGHT. Each register in the instrument panel also has a thumbwheel that allows you to open or close each register. The defroster outlets are located on the top of the instrument panel while the floor outlet is located at the bottom of the center console. An illustration of the register, defroster, and floor outlet locations follows.



The climate control air outlet locations

Air Conditioning (A/C) Controls — Main (Front) System Only (Manual Air Conditioning)



The climate controls — main A/C

The Fan Speed Knob controls the volume of air circulated in the vehicle. There are four fan settings: Low, Medium Low, Medium High, and High.


NOTE: The fan will not operate when the Function Selector Knob is in the ○ (OFF) position.

The Temperature Control Knob may be adjusted from COOL air in the blue range to WARM air in the red range.

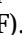
NOTE: Air temperature can be adjusted for the main climate control system only. Air temperature from the auxiliary heating/air conditioning system (if equipped) cannot be adjusted. Rear passengers will receive either FULL COOL or FULL WARM air based on the setting of the Function Selector Knob.

The Function Selector Knob controls air circulation and A/C Compressor Operation.

Instrument Panel Controls


The air conditioning settings include MAX A/C, A/C and  (Panel/Floor). However, heating capabilities are also provided in these modes. Adjust the Temperature Control Knob as necessary to receive cool (air-conditioned) or warm (heated) air when in these modes.


NOTE: The A/C compressor will only operate when outside air temperatures are above approximately 45°F (7°C).

The climate control system provides fresh outside air in all function control settings except for MAX A/C and  (OFF). Only recirculated interior air is available in MAX A/C.

In MAX A/C, air from inside the passenger compartment is recirculated continuously and the A/C compressor is engaged. In this position, the system provides maximum cooling, maximum dehumidifying, and greater fuel efficiency. It also has a greater noise level because the sound of the air from the blower motor is not muffled by a closed damper door as it would be in all other functional settings.


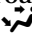



In A/C, outside air is drawn into the system and the A/C compressor is engaged. The cooling process and the distribution of cooled air is the same as that provided with MAX A/C. Because outside air is drawn into the system, it will not have the advantage of cooling already cooled air. It will have a lower noise level because a closed damper door muffles the sound of the air from the blower motor.


In  (PANEL), air is drawn from the outside and directed into the passenger compartment through the instrument panel registers. The temperature of the air can be varied by adjusting the Temperature Control Knob. This mode is normally used as a vent setting. The A/C compressor does not operate in this mode, only heating capabilities are provided.


In  (OFF), air supply is shut off from all outlets and all blower motor operation is stopped. Use this setting when driving through an area where outside air is unpleasant or dusty.


 **WARNING**



Operating with the Function Selector Knob in OFF or in MAX A/C for extended periods of time in cold weather can result in fog buildup on interior glass surfaces.

This fogging can make it difficult to see the road for safe driving. Operating in the A/C,  (PANEL),  (PANEL/FLOOR),  (FLOOR),  (DEFROST/FLOOR) and  (DEFROST) positions will help prevent fogging. Adjust the temperature as necessary for comfort.


In  (PANEL/FLOOR), approximately equal amounts of airflow are directed to the instrument panel registers and the floor outlets. This setting will engage the A/C compressor, thus providing you with an additional A/C mode.

In  (FLOOR), most of the system's air supply is directed to the floor outlets with a small amount going to the windshield and side window demisters.

In  (DEFROST/FLOOR), approximately equal amounts of air are directed to the windshield and floor outlets with a small amount to the side windows.

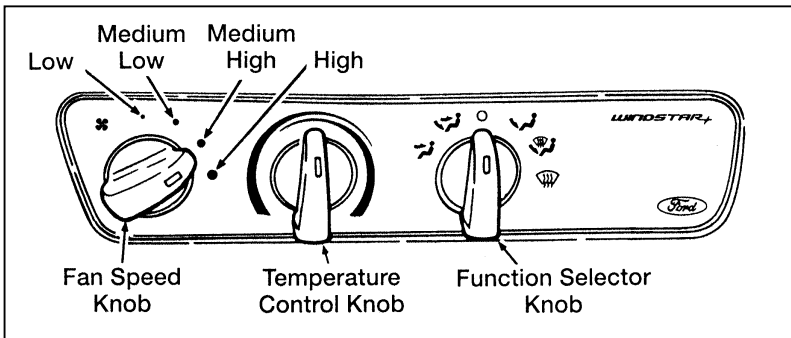
NOTE: If outside air temperatures are above approximately 45°F (7°C), the  (DEFROST/FLOOR) and  (DEFROST) positions will also automatically engage the air-conditioning compressor in order to reduce the humidity in the air and aid in clearing the inside glass. Adjust the Temperature Control Knob as necessary for comfort.

Instrument Panel Controls

In  (**DEFROST**), most of the air is directed through the defrosters and onto the windshield. A small amount is diverted to the floor.

Heater Controls (Heater-Only Vehicles)

The fan speed, temperature, and function controls are essentially the same as the A/C controls described previously with the exception that the control assembly has no function settings for MAX A/C and A/C and no A/C compressor operation is provided in any of the function settings. An illustration of the control for a heater-only system follows.




Climate control panel — Heater-Only System

Turning On the Heat


Heat will not be available until the engine has been running for sufficient time as indicated by the engine coolant temperature gauge.

To heat the inside of your vehicle:


1. Turn the Function Selector Knob to  (**FLOOR**). Outside air is drawn in and directed into the passenger compartment through the floor outlets. Small quantities of air are also directed to the defrost and side window demist outlets.

-
2. Turn the Temperature Control Knob toward the WARM (red) area.
 3. Turn the Fan Speed Knob to the speed of your choice. When your vehicle warms up, you may want to set the Fan Speed Knob to a lower speed, or adjust the Temperature Control Knob to a lower setting to maintain a comfortable temperature.

To defrost the windshield and side windows:

- Turn the Function Selector Knob to  (DEFROST), turn the Temperature Control Knob to the WARM (red) area and turn the Fan Speed Knob to the position of your choice.

To heat and defrost at the same time:

- Turn the Function Selector Knob to  (DEFROST/FLOOR), turn the Temperature Control Knob and the Fan Speed Knob to provide the temperature and fan speed you prefer.



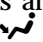


Do not place objects under the front seats unless your vehicle is equipped with an under seat storage tray. Improperly stored objects will interfere with the flow of air to the back seats.

Remove any snow, ice, or leaves from the area below the windshield on the outside of your vehicle. They could block the air intake.

Heating and Air Conditioning System

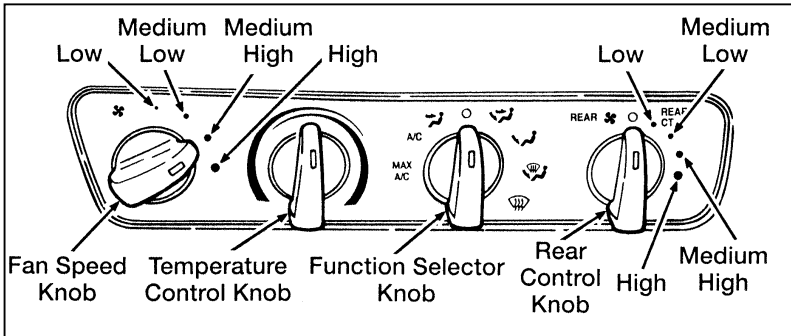
Turning On the Heat

You can heat the inside of your vehicle and defrost the windshield using the Function Selector Knob located in the control assembly in the instrument panel.



The seven function selector modes are: MAX A/C, AC,  (PANEL),  (PANEL/FLOOR),  (FLOOR),  (DEFROST/FLOOR), and  (DEFROST). If your vehicle is

Instrument Panel Controls

equipped with a rear seat climate control system, the instrument panel will also include a rear seat climate control knob. To turn on the rear passenger compartment control system, select REAR CTRL, Medium Low, Medium High, or High. With the knob set to REAR CTRL, rear seat passengers will have control of rear fan speed on the rear seat climate control panel. Positions Medium Low, Medium High, or High will control rear fan speed from the front control panel.



The climate controls — main and auxiliary system A/C — Heater System — if equipped

The standard heating system and the heating portion of the heating and air conditioning system are essentially identical. There is one exception, however; the air conditioning compressor will automatically engage when the  (DEFROST/FLOOR) or  (DEFROST) position is selected to aid in defogging and defrosting the inside glass when the outside temperature is above approximately 45°F (7°C). Refer to the heating system operating instructions covered previously for a more detailed explanation of heating system operation.

Turning on the Air Conditioner

To cool your vehicle quickly in warm weather:


1. Turn the Function Selector Knob to MAX A/C.
2. Turn the Temperature Control Knob to COOL.
3. Turn the Fan Speed Knob to the position of your choice.
4. If your vehicle is equipped with the rear passenger compartment air conditioning unit, it will be on when the front system is on MAX A/C, A/C or PANEL/FLOOR and the rear climate control knob is set to REAR CTRL, Medium Low, Medium High, or High. Refer to the previous section for an explanation of the heating system.
5. Adjust your instrument panel registers.
6. If the inside of your vehicle is very warm, you may want to drive for a few minutes with the windows down and the air conditioner on. This forces most of the hot, stale air out of the vehicle and allows the air conditioner to cool the interior more quickly.

The air conditioner may be used to cool the outside air being drawn into your vehicle, but using recirculated air is more economical and cools your vehicle more quickly.

Cooling your vehicle with outside air

Cooling your vehicle with air conditioned outside air is quieter but less economical than using recirculated air. It also has less cooling capacity.

To cool your vehicle with outside air:


1. Turn the Function Selector Knob to the A/C or  (PANEL/FLOOR).
2. Turn the Temperature Control Knob to COOL.

Instrument Panel Controls

3. Turn the Fan Speed Knob to the position of your choice.
4. Make sure that the registers in the instrument panel are open and adjusted to the positions of your choice.


During periods of high humidity, vapor may be emitted from the air outlets when using the A/C with outside air. Correct this by switching the Function Control Knob to MAX A/C.

Improving fuel economy

Whenever you turn on the air conditioning, your vehicle uses more fuel because the air conditioning compressor is running. To get better fuel economy while cooling your vehicle, do not use the air conditioner on mild days. Instead, set the function control knob to  (PANEL) and turn the temperature control knob to COOL.

Operating tips

To vary the temperature inside your vehicle, move the Temperature Control Knob toward WARM (red) for warmer temperatures and toward COOL (blue) for cooler temperatures. The Temperature Control Knob setting determines the temperature of the air being discharged from the system in all operating modes (heating or A/C).

When stopped in traffic for long periods of time in hot weather, place the automatic transaxle gearshift selector lever in Park (P) or in Neutral (N). This aids in engine cooling and air conditioner efficiency. (If the engine overheats, turn the Function Selector Knob to  (PANEL) and turn the Temperature Control Knob to WARM.)

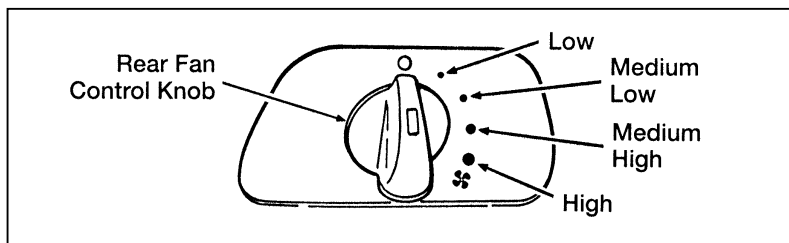
When your vehicle's engine is operated at full throttle, the air conditioner compressor will automatically be turned off to allow maximum engine power. This may occur during passing or when climbing steep grades. The compressor will return to normal operation within a few seconds after full throttle is no longer needed.

NOTE: The compressor will not operate when the outside temperature is less than about 45°F (7°C).

Rear Climate Control System (If equipped)

If your vehicle is equipped with a rear climate control system, the rear seat occupants can select their own personal fan speed settings.

The rear seat climate control system is controlled from the main climate control system on the instrument panel. If the rear passenger compartment climate control knob in the front climate control panel is set in OFF, the fan in the rear seat climate control system will also be off. If the knob is set in any of the fan speed positions (Medium Low, Medium High, or High), air will be discharged from the rear seat vents at the corresponding speed. However, when the knob is set at REAR CTRL, rear seat passengers can control their own fan speed.




Rear fan control knob


The rear passenger compartment climate control panel has a Fan Speed Knob which controls the speed (Low, Medium Low, Medium High, or High) at which air is discharged from the registers whenever the Rear Control Knob on the front panel climate control panel is in REAR CTRL.

Front passengers determine the temperature and location of the airflow for rear passengers by setting the Function Selector Knob in the front climate control panel in either a heat or A/C mode.

Instrument Panel Controls

If an A/C mode is chosen, rear passengers will receive FULL COOL (air-conditioned) air out of the side and upper rear registers. If a heat mode or the  (PANEL) mode is chosen, rear passengers will receive FULL WARM (heated) air out of the lower rear registers.

Rear passengers do not have the ability to adjust the temperature or select the location of the airflow from the auxiliary climate control system. Rear passengers can adjust the Rear Fan Speed Control Knob and air discharge (adjust registers) for comfort.

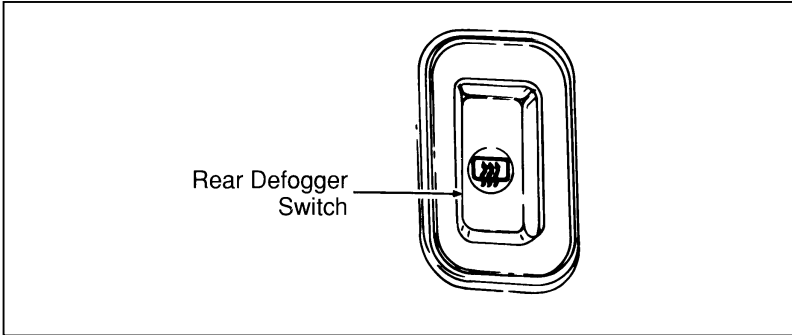
NOTE: For maximum heating and cooling for front seat passengers, set the rear fan switch to the  (OFF) position.

Liftgate Window Features

Rear Window Defogger (If equipped) (Standard in Canada)

The defogger for the rear liftgate window clears frost, fog, or thin ice from both the inside and outside of the rear window. The defogger operates with the ignition in the ON position.

The control switch is located on the instrument panel to the right of the steering column and below the climate control system.



The rear defogger switch

To defrost the rear window:

1. Clear any snow from the rear window.
2. Get in your vehicle and start the engine.
3. Press the rear defogger switch.

The defogger turns off automatically after 10 minutes. If the window is not clear, turn the defogger on again. It will automatically shut off anytime the engine is turned off or if the switch is depressed a second time.

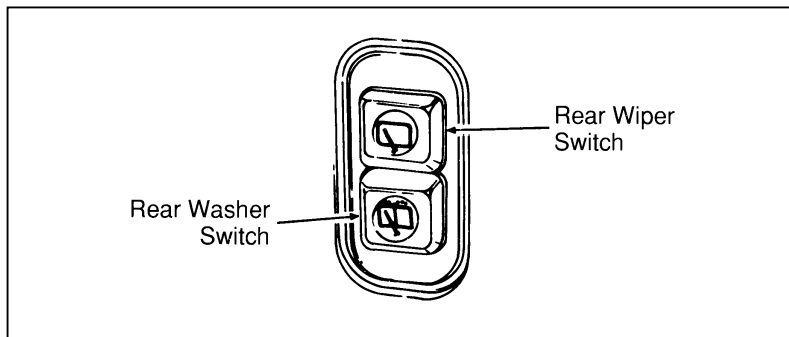
NOTE: Operating the rear defogger will also turn on the heated side view mirrors (if equipped).

Never use sharp instruments or abrasive window cleaners to clean the inside of your rear window. If you do, you may damage the wires that are bonded to the inside of the rear window, and cause damage to the rear window defogger.

Instrument Panel Controls

Rear Wiper and Washer (If equipped)

The controls for the rear wiper and washer can be found on the instrument panel to the right of the instrument cluster below the climate control system. The rear wiper and washer controls operate with the ignition in the ACC or ON positions.



The rear wiper switches

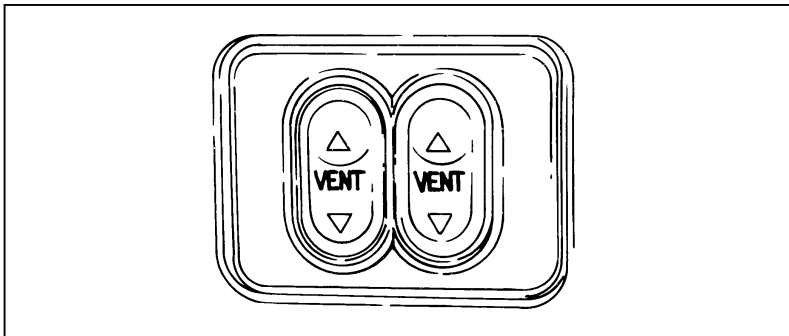
To turn on the rear wiper, press the rear wiper switch. The wiper will operate until it is turned off. To turn off the rear wiper, press the wiper switch a second time.

To activate the rear washer, press the rear washer switch. Spray will continue as long as the button is depressed. When you activate the wash system, the wiper will also activate. The wiper can be turned off by pressing the wiper switch a second time.

Do not activate the washer for longer than fifteen seconds continuously. This could damage the washer pump system.

Power Quarter Vent Windows (If equipped)

The power rear quarter vent windows operate with the ignition in the ON or ACC positions. The vent windows are controlled by the right and left switches located in the center of the instrument panel, just to the right of the rear defogger. Press the indented side of the switch to open the windows; press the raised side of the switch to close the windows.



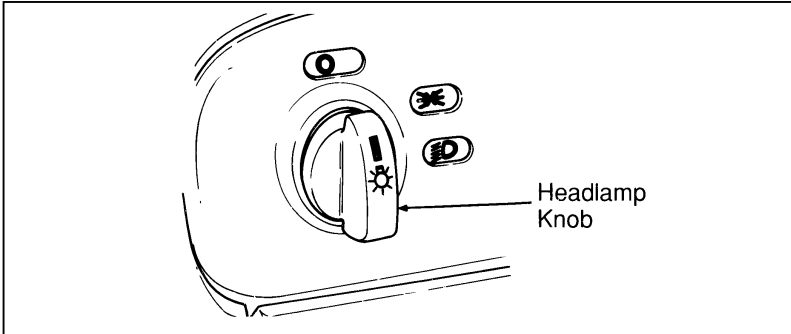
The power quarter window switches

Exterior Lamps

To turn on the headlamps, parking lamps, marker lamps, license plate lamps, tail lamps and instrument panel lights, use the headlamp control knob, to the left of the instrument cluster.

1. Turn the headlamp knob to the first position to turn on the parking lamps, license plate lamps, tail lamps, marker lamps and instrument panel lights.
2. Turn the headlamp knob to the second position to turn on the headlamps in addition to the parking lamps, tail lamps, license plate lamps, marker lamps and instrument panel lights.

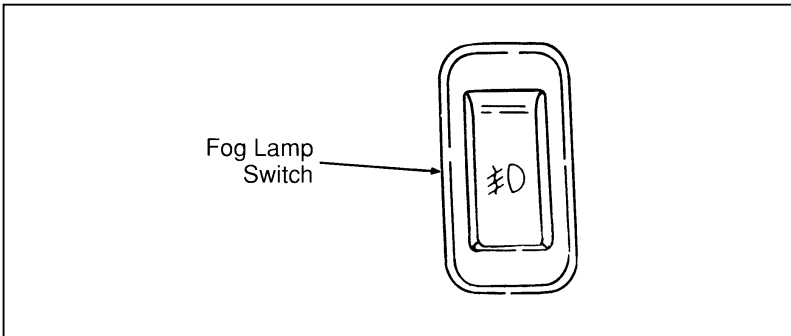
Instrument Panel Controls



The headlamp controls

Fog Lamps (If equipped)

The fog lamp switch is located on the center of the instrument panel.



Fog lamp switch

The fog lamps act as a supplement to the low beam headlamps under limited visibility conditions such as rain, snow, dust or fog and operate only when the low beam headlamps are on.

To maximize fog lamp bulb life it is recommended that the fog lamp switch be turned off after each use prior to turning off the headlamps.

- To turn the fog lamps on, push the switch. An indicator light will glow when the lamps are on.
- To turn off, push the switch again.

“Headlamps On” Alert Chime

The “headlamps on” alert chime acts as an indicator that you have left the headlamps or parking lights on. This continuous chime will activate when the following conditions are present:

- The headlamp and/or parking lamps are on
- There is no key in the ignition
- The driver’s door is ajar (open)

Daytime Running Light (DRL) System (Canadian vehicles only)

The Daytime Running Light (DRL) system is designed to turn the high beam headlamps on, with a reduced light output and without illuminating the high beam indicator lamp in the instrument panel. The DRL system operates when all of the following conditions are met:

- the vehicle is “running”
- the vehicle has a fully released parking brake
- the headlamp system is in the OFF position

NOTE: You may notice that the lights flicker when the engine is turned on or off. This is a normal condition.

Instrument Panel Controls

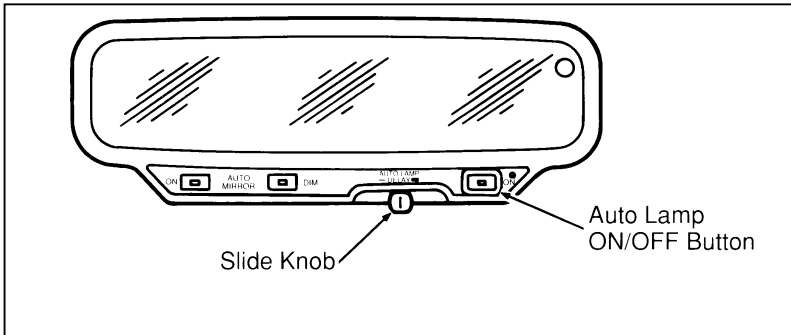
⚠ WARNING

The Daytime Running Light (DRL) system will not illuminate the tail lamps and parking lamps. Turn on your headlamps at dusk. Failure to do so may result in a collision.

Setting the Autolamp Delay System (If equipped)

By using the autolamp, you can set the headlamps to:

- turn on the headlamps automatically at night
- turn off the headlamps automatically during daylight
- keep the headlamps on for up to three minutes after you turn the key to OFF.



The autolamp system

Setting the autolamp

This feature allows the Autolamp circuit to be adjusted, to the driver's liking, for the headlamps to turn on for the amount of ambient light. If the driver desires the headlamps to come on earlier when the sky is brighter or later when the sky is darker, then the following procedure should be performed to satisfy the driver's requirement.

Move the Autolamp Delay slider knob to the far left position with the vehicle in park and ignition in the RUN position. Then press the mirror DIM and Autolamp ON switches simultaneously. The Autolamp ON LED will flash, indicating it's into the special mode. Slowly slide the Autolamp Delay control to the right until the DIM LED is on steadily. This indicates the current setting for the early/late headlamp. (The factory setting would fall in the middle of the control slide range.)

If earlier activation of the headlamps is desired, slide the Autolamp Delay slider knob to the left. The DIM LED will start flashing, indicating that the setting is being changed. The further left the control is moved the earlier the headlamps will come on. Pressing the Autolamp button will enter the new setting and return the mirror back to normal operation.

If later activation of the headlamps is desired, slide the Autolamp Delay slider knob to the right. The DIM LED will start flashing, indicating that the setting is being changed. The further right the control is moved, the later the headlamps will come on. Pressing the Autolamp switch will enter the new setting and return the mirror back to the normal operation.

To turn the autolamp off, press the On/Off button. The indicator light will turn off.

Instrument Panel Controls

To keep the lamps on after you leave your vehicle:

- Move the slider knob to the right. Once the slider knob is to the right, it controls how long the lamps stay on.
- The further you move the slide knob toward the right, the longer the headlamps stay on after you leave your vehicle. Similarly, if you move the slide knob only slightly toward the left, the headlamps stay on for only a moment after you turn your vehicle off.

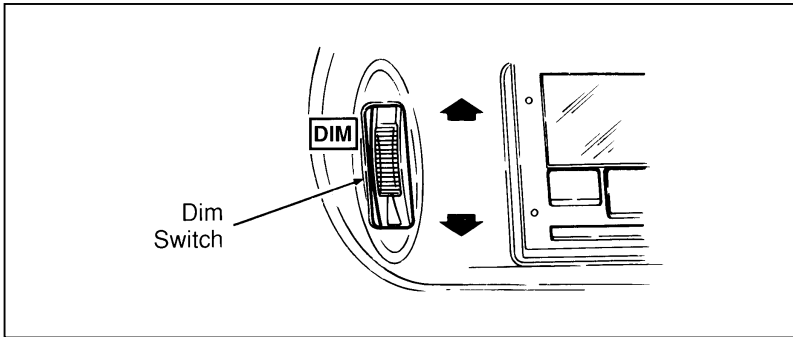
Cleaning the Exterior Lamps

Do not use dry paper towel, chemical solvents or abrasive cleaners to clean the lamps, as these may cause scratches or crack the lamps.

Interior Lamps

Lighting Up the Instrument Panel

The instrument panel lights can be turned on by turning the headlamp control knob to either the first or second position. You can brighten or dim the instrument panel lights by rotating the dim switch up or down to the desired brightness. The dim switch is located to the right of the steering column next to the radio.

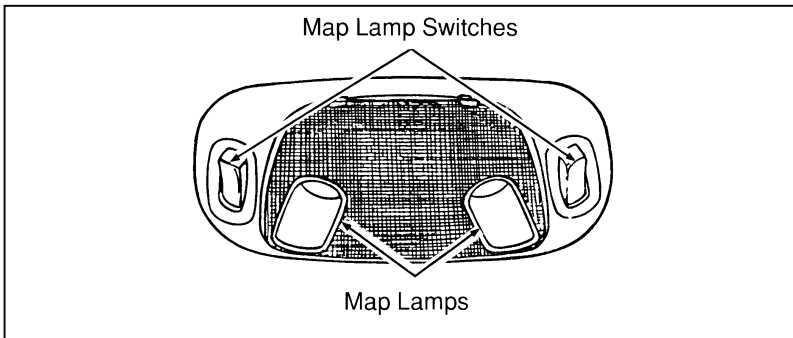


The dim switch

Front Dome Lamp

Front dome lamp, rear cargo and second row reading lamp may be turned on and off using the dimmer switch.

The front dome lamp is located overhead between the driver and front passenger seats.



The front dome lamp and map lamps

Instrument Panel Controls

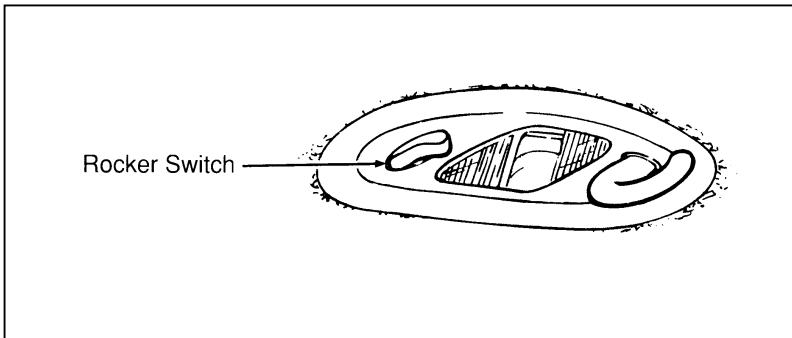
Turning on the map lamps (If equipped)

Your vehicle may have a map lamp for the passenger and one for the driver. The map lamps and switches are located on the front dome lamp.

The rear cargo lamp is located overhead near the rear seating positions.

Second Row Reading Lamp

The second row reading lamp may be turned on by using the rocker switch located on the lamp assembly or by using the instrument panel dimmer switch.



Second row reading lamp

Cleaning the Interior Lamps

Your interior dome lamps and map lamps are plastic and should be cleaned with a mild detergent diluted in water. Rinse them with clear water.

Clock Controls on Electronic Radios

The electronic radios have a built-in clock. For complete operating instructions, refer to the *Electronic Sound Systems* chapter of this Owner Guide.

Radio Antenna

The fixed radio antenna is mounted on the front fender on the passenger's side of the vehicle.

Steering Column Controls

The controls on the steering column and wheel are designed to give you easy access to the controls while you are driving.

Turn Signal Lever

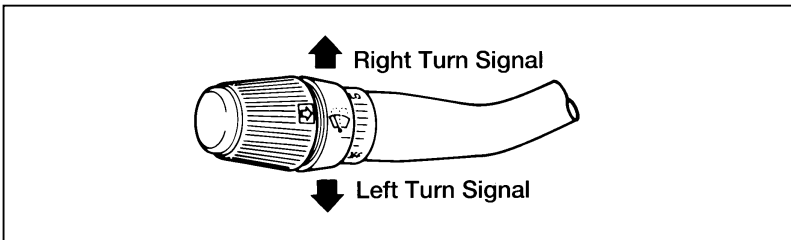
You can use the turn signal lever on the left side of the steering column to:

- operate the turn signals.
- turn the headlamps to high beam.
- flash the headlamps.
- turn the windshield wipers and washer on/off.

Turn Signals

To turn on the right turn signal, push the turn signal lever up. The right-side arrow on the instrument panel will flash.

To turn on the left turn signal, pull the turn signal lever down. The left-side arrow on the instrument panel will flash.



The turn signal lever

Usually, the turn signals turn off automatically after you turn your vehicle. If the turn signal continues to flash after you have made the turn, pull the lever back to the neutral position.

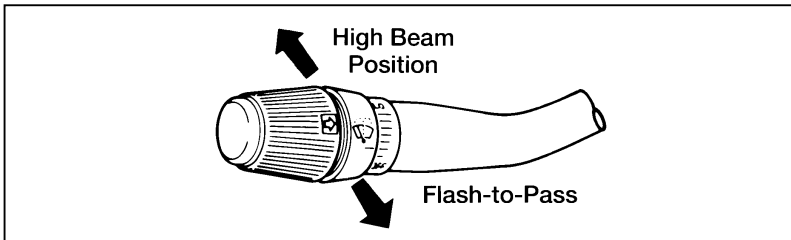
To indicate a lane change to the right, push the turn signal lever up slightly (without latching) and hold it in position. To indicate a lane change to the left, pull the turn signal lever down slightly (without latching) and hold it in position. The lever will return to the OFF position when you release it.

If the turn indicator light in the instrument panel does not illuminate or remains on (does not flash) when you signal a turn, the turn signaling system is malfunctioning. Have this condition corrected as soon as possible, and use the accepted hand signals until the turn signal system is repaired.

High Beams

To turn on the high beams, turn the headlamps on and push the turn signal lever away from you until it latches. When the high beams are on, the high beam indicator light on the instrument panel is illuminated.

To return to the low beam setting, pull the turn signal lever toward you until it latches back into the neutral position. The high beam indicator light turns off.



High beam and flash-to-pass operation

Flashing the Lights

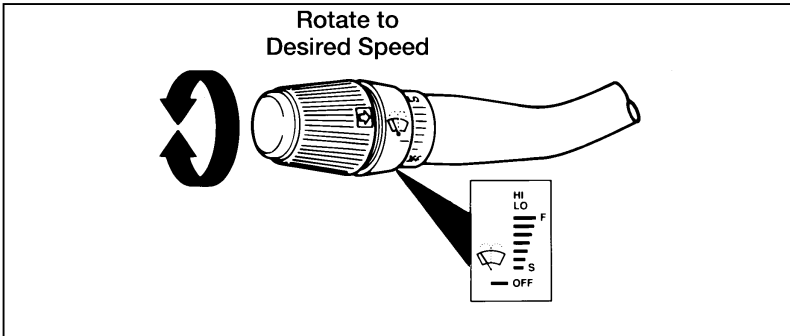
To flash the headlamps, pull the turn signal lever toward you for a moment and then release it. The high beam headlamps will flash whether the headlamps are on or off.

Steering Column Controls

Windshield Wipers and Washer

Variable Interval Wipers

Your vehicle has wipers that operate at varying intervals. For example, you can set the interval so they wipe less often in light rain or more often in heavier rain. The wiper delays range from about 1.5 to 20 seconds.



Variable interval wiper control

To set the interval wipers, rotate the knob at the end of the turn signal lever to the most effective interval. The farther the knob is from the OFF position, the faster the wipers move.

Speed Dependent Wipers

This feature compensates for the extra moisture that accumulates on your windshield at higher speeds during rain. At higher speeds, the Speed Dependent feature shortens the delay between wipes when you use the variable interval wipers. Delay will automatically adjust at speeds between 10 and 65 mph (16 and 105 km/h).

The Speed Dependent feature comes disabled from the factory, but can be activated at any time by using the following procedure.

1. Make sure the two front doors are securely closed.
2. Insert the key into the ignition and turn first to the ON position (the gauges on the instrument panel will **not** illuminate) and then back to the OFF position. Remove the key and within 30 seconds:
3. Press and hold the washer button on the end of the turn signal lever.
4. Within two seconds, put the key back in the ignition and turn to the ON position.
5. Hold the washer button down until a long (two second) tone is heard. Release the button while the tone is active.
6. After the long tone, a confirmation sequence will be heard. One beep indicates the feature is inactive. Two beeps indicates the feature is active.

Repeat this procedure any time you want to cancel or reactivate the Speed Dependent feature.

Windshield Washer

To clean the windshield, push in the washer button on the end of the turn signal lever. For a constant spray, push and hold the button. If the windshield wipers are off, one momentary push results in one wipe and a longer push in three wipes and activation of washer fluid. If the windshield wipers are in interval mode a quick tap results in two wipe cycles and a longer tap in three wipes and washer fluid activation.

Do not try to clean the windshield when the washer fluid container is empty and never activate the washers for more than fifteen seconds continuously. This could damage the washer pump system.

Steering Column Controls

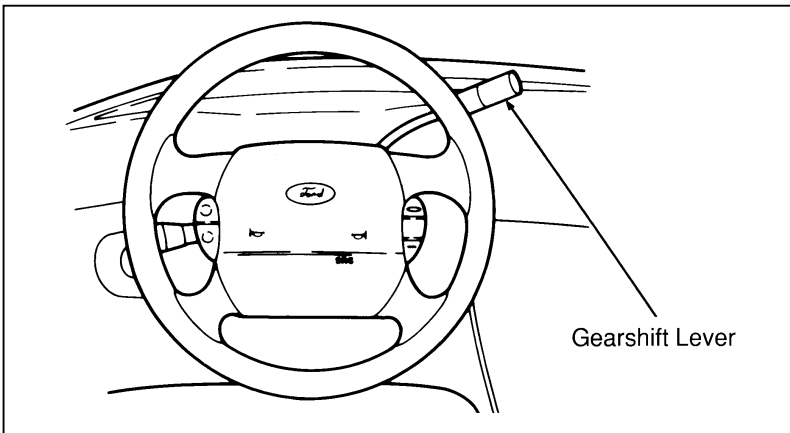
⚠ WARNING

In freezing weather, the washer solution may freeze on the windshield and obscure your vision. Always warm up the windshield with the defroster before you use the washer fluid. If you cannot see through the windshield clearly, it can increase the risk of being involved in a collision.

For information about refilling the washer fluid or replacing your windshield wiper blades, see *Windshield washer fluid and Wipers* in the Index.

Gearshift Lever

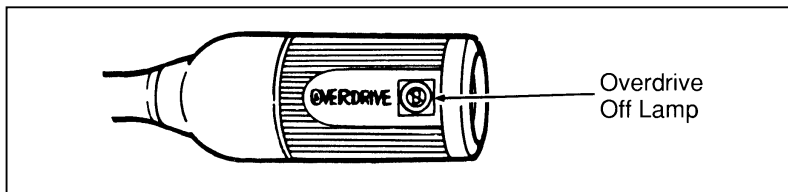
The gearshift lever on your vehicle is mounted on the steering column. On the end of the gearshift lever is the Overdrive On/Off button and the OVERDRIVE OFF lamp. For additional information about the gearshift lever and the Overdrive On/Off button, see the *Driving Your Vehicle* chapter.



The gearshift lever

OVERDRIVE OFF Lamp

This lamp indicates the operating range of the transaxle. This lamp will illuminate when the Overdrive On/Off button is depressed.



OVERDRIVE OFF lamp location

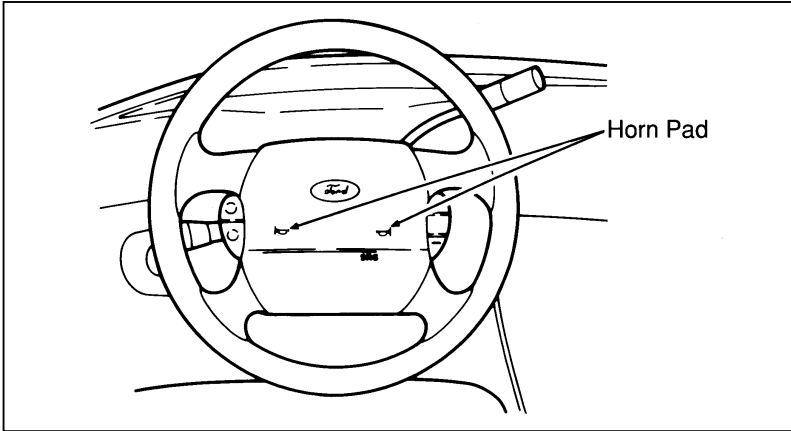
With the transaxle range selector in the Overdrive **D** range, the OVERDRIVE OFF lamp will not be illuminated. The transaxle will be allowed to upshift and downshift from 1st through 4th gears. When the Overdrive on/off button is depressed, the OVERDRIVE OFF lamp will illuminate. The transaxle will now only upshift and downshift from 1st through 3rd gears. The vehicle will always return to the overdrive operation mode when the ignition is turned off and back on.

If the lamp does not come on when the Overdrive ON/OFF button is depressed or if the lamp flashes when you are driving, have your vehicle serviced at the first opportunity. If this condition persists, damage could occur to the transaxle.

Horn

To sound the horn, press the center of the steering wheel. Check the horn regularly to make sure it operates properly.

Steering Column Controls



The horn pad

Hazard Flasher Switch

The hazard flasher is used to alert other drivers to hazardous situations.

The hazard flasher switch operates the same lamps as the turn signal lever. When the hazard flasher is activated, all of these lamps will flash on and off. The turn signal indicators cannot be used when the hazard lamps are flashing. Operation of the hazard flashers does not affect operation of the brakelamps.

The flashers work even with the key out of the ignition. The flashers will work for up to two hours when the battery is fully charged and in good condition. They will not drain the battery excessively. If the flashers run for longer than two hours or if your battery is not fully charged, your battery may be drained to the point where the vehicle will not start.

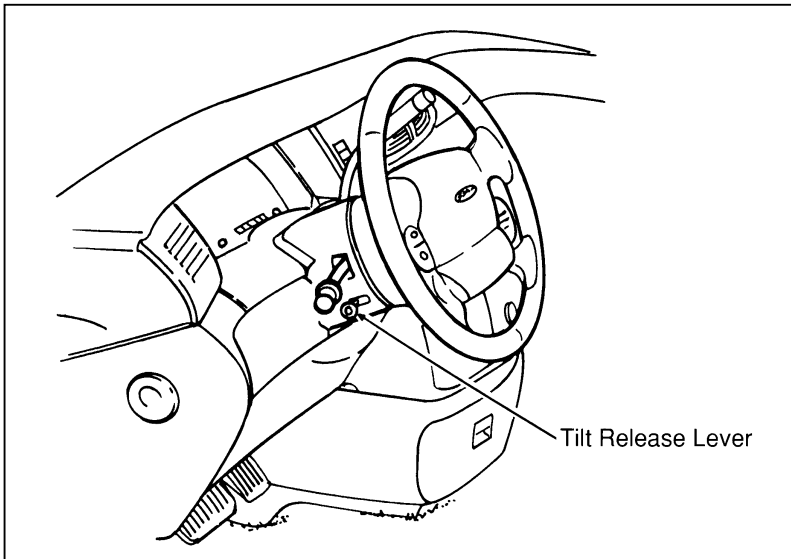
The hazard flasher switch is located on top of the steering column.

To use the hazard flasher:

1. Push the HAZARD switch; you will see the turn signal arrows flash.
2. To stop the hazard flashers, push the HAZARD switch again.

Tilt Steering (If equipped)

With the tilt steering option, you can move your steering wheel up or down.



Tilt steering release lever location

Steering Column Controls

To change the position of the steering column:

1. Make sure your vehicle is stopped.
2. Pull the tilt release lever on the column toward you.
3. Tilt the steering wheel up or down until you find the best position for you.
4. Release the lever to lock the wheel in place.

Be sure the steering wheel is locked in place. It can only be adjusted to specific positions. Do not adjust the steering wheel while the vehicle is in motion.

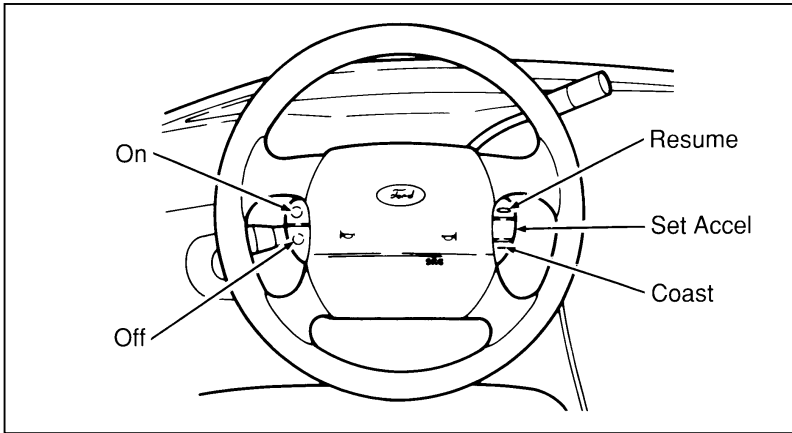
Speed Control (If equipped)

If your vehicle has speed control, you can automatically maintain a constant speed at or above 30 mph (50 km/h).

When driving in hilly terrain, at high elevations, or when pulling a trailer, it may be desirable to drive in the Overdrive Lockout mode. This can be done by depressing the O/D button on the end of the gearshift lever. Driving in this mode helps prevent excessive transaxle shifting and helps speed control to maintain speed when going down steep hills.

Use of radio transmitting equipment that is not Federal Communications Commission (FCC) or in Canada the Canadian Radio and Telecommunications Commission (CRTC) approved may cause the speed control to malfunction. Therefore, use only properly installed FCC (CRTC in Canada) approved radio transmitting equipment in your vehicle.

NOTE: Do not shift to N (Neutral) when using the speed control. This will cause the engine to overspeed.



The speed control switches on the steering wheel

To set the speed control:

1. Find the speed control switches on the steering wheel.
2. Press and release the ON switch.
3. Accelerate to the desired speed above 30 mph (50 km/h) using the accelerator pedal.
4. Make sure you are driving faster than 30 mph (50 km/h).
5. Press SET ACCEL and release it immediately. This will set your speed. If you keep this switch pressed, your speed will continue to increase and will not be set at the desired speed.
6. Take your foot off the accelerator pedal. Your vehicle will maintain the speed you set.

If you drive up or down a steep hill, your vehicle may momentarily slow down or speed up, even though the speed control is on. This is normal.

Steering Column Controls

NOTE: On a downhill grade, if your speed increases above your set speed while driving in **D** (Overdrive) on a downhill grade, you may want to downshift to Third (3) gear to reduce vehicle speed. To do this, push the Overdrive ON/OFF button on the end of the gearshift lever. The OVERDRIVE OFF lamp will illuminate when you press the switch.

You may want to drive in 3 (Third) when driving in hilly terrain, at high altitudes, or when pulling a trailer. This will improve speed control performance.

NOTE: When driving uphill, especially with a heavy load, you may notice your speed decreasing even if you have the speed control set. If the speed drops more than 8 to 14 mph (13-23 km/h) it is normal for the automatic speed control feature to be cancelled. You may need to use the accelerator pedal to help your vehicle maintain the selected speed when driving up steep grades.

| |
|--|
|  WARNING |
|--|

| |
|---|
| <p>Do not use the speed control in heavy traffic or on roads that are winding, slippery, or unpaved.</p> |
|---|

Accelerating With the Speed Control On

If you want to speed up momentarily, or regain preset speed on hills when the speed control is on, accelerate using the accelerator pedal. Manually accelerating to a higher speed does not interfere with the speed control. When you take your foot off the accelerator, your vehicle returns to the set speed.

Resetting the Speed Control

To reset the speed control to a **lower speed**, use one of the following procedures:

- **COAST** — Press and hold the COAST switch. Release the switch when the vehicle slows down to the desired speed.
- Lightly tap the brake pedal. When the vehicle attains the desired speed, press the SET ACCEL switch and release it immediately.
- **TAP-DOWN** — Press and then quickly release the COAST switch. Each time you “tap” the switch, the set speed will decrease by 1 mph (1.6 km/h). Multiple taps will cause the set speed to decrease in increments of 1 mph (1.6 km/h). For example, if the current set speed is 60 mph (97 km/h) 5 taps of the COAST switch will decrease the vehicle speed and SET it at 55 mph (88 km/h).

If vehicle speed is reduced below 30 mph (50 km/h) by any of the above methods, then you must manually accelerate to a speed over 30 mph (50 km/h) and reset the system.

To reset the speed control to a **higher speed**, follow one of these procedures:

- **ACCEL** — Press and hold the SET ACCEL switch. Release the switch when the vehicle has accelerated to the desired speed.
- Depress the accelerator pedal. When the vehicle attains the desired speed, press the SET ACCEL switch and release it immediately.

Steering Column Controls

- **TAP-UP** — Press and then quickly release the SET ACCEL switch. Each time you “tap” the switch, the set speed will increase by 1 mph (1.6 km/h). Multiple taps will cause the set speed to increase in increments of 1 mph (1.6 km/h). For example, if the current set speed is 55 mph (88 km/h), five taps of the SET ACCEL switch will increase the vehicle speed and set it at 60 mph (97 km/h).

To Cancel or Turn Off Speed Control

The speed control can be cancelled at any time by depressing the brake pedal slightly. After cancelling, you can return to the speed you set by pressing the RESUME switch, or set a new speed by pressing the SET ACCEL or COAST switch.

Speed control can also be cancelled when you press the OFF switch. The speed control system will remain off until you press the ON switch and reset the speed control.

In addition, the speed control is turned off each time you turn the vehicle off.

Resuming a Set Speed

If you press the brake pedal, the speed control is cancelled. You can return to the speed you set by using the RSM switch, as long as you did not press the OFF switch.

To resume the speed you had before, you must be driving at least 30 mph (50 km/h).

Press and release the RESUME switch. Your vehicle gradually returns to the previously set speed and then maintains it.

Speed Control Light (Electronic Cluster Only)

This light comes on when you turn on the speed control system and set the speed. The light will be on whenever the speed control is set, even if you override the set speed by pressing the accelerator pedal or by pressing the coast button. The light will go off when the brakes are used or the speed control system is turned off.

This light comes on briefly during the display self-test every time you turn your ignition key to the ON position. The light will go off when the key is turned to the START position. The light should stay off when the self-test is done.

This light does not indicate any problems with the speed control system, but is a convenience to tell you when the speed control system is actively maintaining a set speed.

Your vehicle is designed with innovative and state-of-the-art features. Understanding how these features work can make driving your vehicle more comfortable.

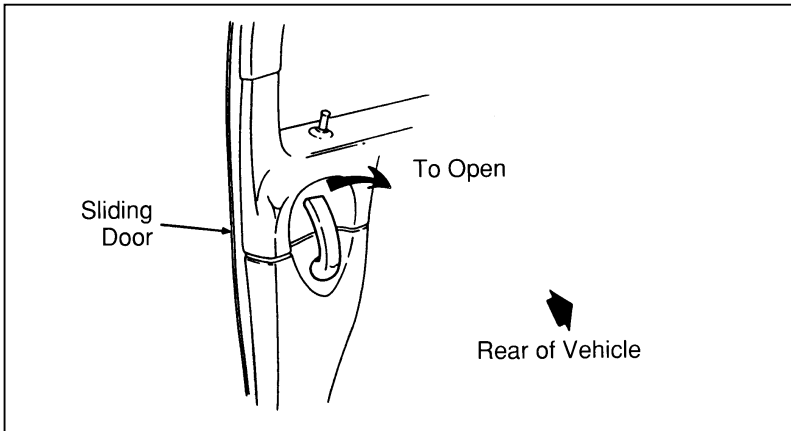
Doors

For information on the liftgate refer to the *Liftgate* section later in this chapter.

Sliding Door

The sliding door allows rear seat passengers to enter and exit easily.

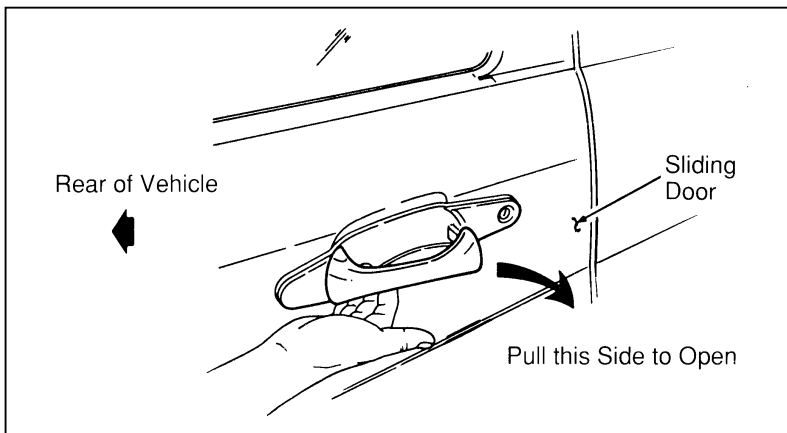
To open the sliding door from inside of the vehicle, pull the handle toward the rear of the vehicle. The door will stay open if you slide it all the way back until the detent at the bottom of the door engages.



The inside sliding door handle

To close the door, pull the handle toward the front of the vehicle and slide the door. Be sure it is fully closed.

To open the sliding door from outside the vehicle, unlock the door then unlatch the sliding door by pulling the handle straight out and sliding the door back.



The outside sliding door handle

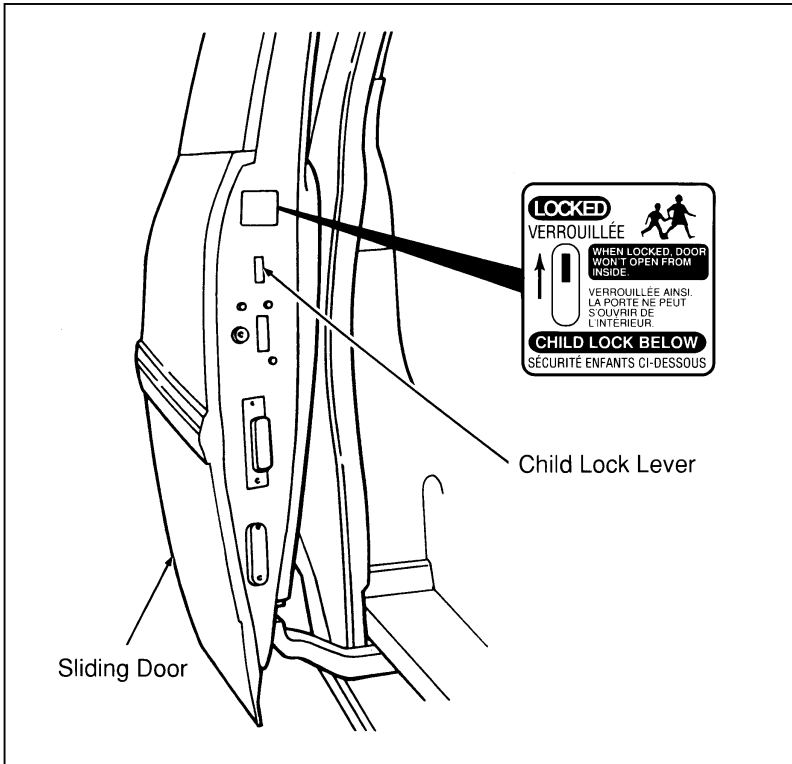
Memory Lock

If you lock your doors with the power lock switch or the remote transmitter while the sliding door is open, the door will automatically lock after it is closed.

Childproof Lock for the Sliding Door

Your vehicle has a childproof lock for the sliding door. If you set the childproof lock, the sliding door cannot be opened from inside the vehicle.

This lock will keep children from opening the door from the inside; the door can still be opened from the outside if the door is unlocked.



Childproof lock location

To set the childproof lock:

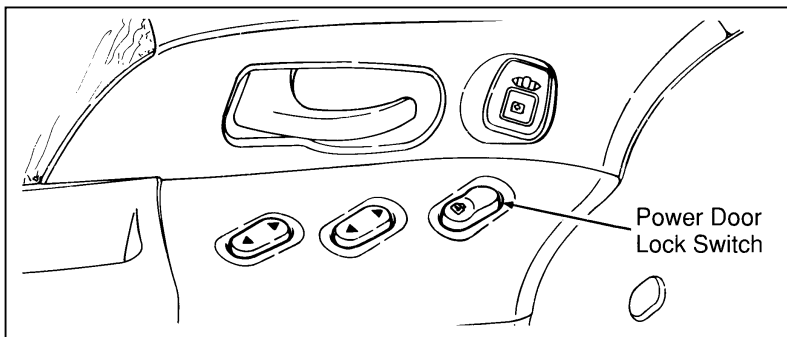
1. Open the sliding door.
2. Find the childproof lock lever below the label.
3. Push the lever to the up position.

To release the childproof lock:

1. Open the sliding door from the outside.
2. Push the lever to the down position.

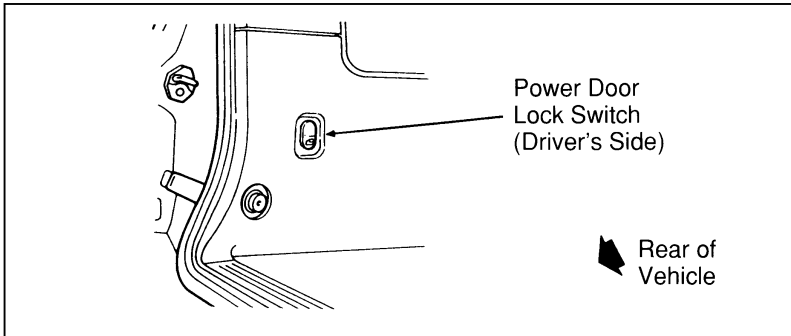
Power Door Locks (If equipped)

The power door lock control switches are located in the panels of the front doors. They control the locks on both front doors, the sliding door and the liftgate. To lock all doors, push the raised side of the switch. To unlock the doors, push the recessed side of the switch.



The power door lock switch

Door locks can also be operated from the power door lock switch in the cargo area.



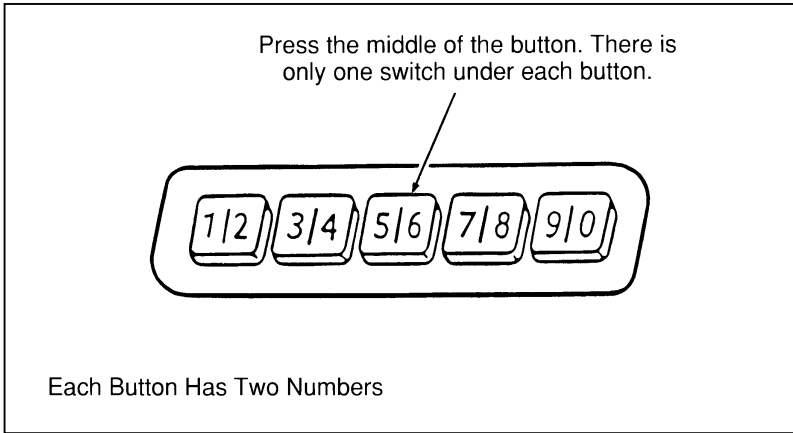
The power door lock switch in the cargo area

NOTE: If the sliding door is open when all doors are locked with the power door lock switch, the sliding door automatically locks when it is closed.

You can manually lock and unlock the doors using the manual door locks to override the power locks.

Using the Keyless Entry System (If equipped)

If you have chosen the keyless entry system option for your vehicle, you can lock or unlock the doors and liftgate without using a key. The keypad is above the outside door handle on the driver's side. See also *Remote Entry System* which follows this description.



The keyless entry system keypad

When you bought your vehicle, you were given a computer code that operates the system for your vehicle. For your convenience, we have duplicated this code in two places.

The code is:

- on your owner’s wallet card found in the glove compartment
- taped to the computer module

When you use the keyless entry system, the illuminated entry system turns on the interior lights for 25 seconds and the buttons on the keypad light up for five seconds.

Do not push the keypad buttons with a key, ball-point pen, pencil, or any other hard object since they could damage the buttons.

Using the Keyless Entry System

To operate the Keyless Entry System, you must be familiar with the “personal code” and the “permanent code.” The personal code is a code number that you select that is easy for you to

remember. This is the number that you enter on the keypad to unlock the door. The personal code can be changed as often as you like.

The permanent code is a number that is assigned to your vehicle and can be used to program your personal code into the system.

For your convenience, one additional piece of tape with the permanent code has been included in the glove box. Place this additional piece of tape in a safe location where you can refer to it when necessary. Do not put it in any location that is accessible to unauthorized persons, since this would allow them entrance to your vehicle.

Programming your Personal Code

A personal code does not replace the permanent code that the dealership gave you. The original dealer code will always work in addition to your personal code.

To program your own code:

1. Select five digits for your personal code.
2. Enter the permanent code.
3. Within five seconds, press the 1/2 button.
4. Within five seconds of pressing the 1/2 button, enter your personal code. Press each digit within five seconds of the previous digit.
5. The keyless system registers this second code. To open your vehicle, you can now use either code. The module remembers only one personal code at a time. Entering a second personal code will erase the first and replace it with the new code.
6. After you have entered your personal code, the driver's door will unlock.

To erase your personal code:

1. Enter the original permanent code.
2. Press the 1/2 button within five seconds of step #1.
3. Wait six seconds.
4. The keyless entry system automatically erases your personal code. The system will now only respond to the permanent code.

Do not set a code that presents the numbers in sequential order, such as 1/2, 3/4, 5/6, 7/8, 9/0. Studies show that people who idly press the buttons usually press a sequential pattern. Also, do not select a code that uses the same button five times. Thieves can easily figure out these types of codes.

Unlocking the Doors with the Keyless Entry System

You must unlock the driver's door before you unlock any of the other doors. If you let more than five seconds pass between pressing numbers, the system shuts down and you have to enter the code again. The system has shut down if the keypad light is out. If the keyless entry system does not work properly, use the key or Remote Entry transmitter(s) to lock and unlock the doors or liftgate until the system can be serviced.

1. To unlock the driver's door, enter the code. All codes have 5 numbers. After you press the fifth number, the driver's door unlocks.
2. To unlock the passenger's door, sliding door and liftgate, press 3/4 within five seconds of step #1, or re-enter the code to open the driver's door then press 3/4.

Locking the doors with the keyless entry system

Along with unlocking your doors, you can use the keyless entry system to lock the doors.

To lock all of the doors at the same time, press the 7/8 and 9/0 buttons at the same time. It is not necessary to first enter the keypad code. This will also arm your Ford anti-theft system.

Battery Saver

When the ignition switch is turned to OFF, the vehicle will turn off battery voltage to the interior lamps after 45 minutes. (The exterior lamps are not affected.) The purpose is to minimize extended battery drain if the lights have inadvertently been left on or if a door or the glove box is not completely closed. However, the timer will be immediately reset to another 45 minutes if any of the following occurs:

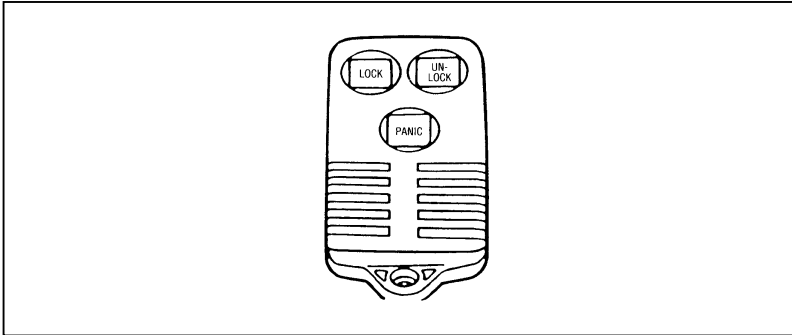
- any door is open or closed
- the front door handle is lifted (for Illuminated Entry only)
- taking the key IN or OUT of the ignition switch
- the Keyless Entry keypad is used
- the Remote Entry transmitter is activated

Remote Entry System (If equipped)

If your vehicle has the remote entry system, you can lock and unlock the vehicle doors without using a key. The remote entry system also has a personal alarm feature. The buttons that control the system are located on the hand held transmitter that come with your vehicle.

The system will work with up to four transmitters. Your vehicle came with two transmitters. Additional transmitters can be ordered from your dealer.

The remote entry features only operate with the ignition in the OFF position.



The remote entry transmitter

Unlocking the doors

To unlock the driver's door, press the UNLOCK button.

To unlock the other doors, press the UNLOCK button a second time within five seconds of unlocking the driver's door.

Locking the doors

To lock all the doors, press the LOCK button.

If you would like a signal that the doors have been locked, press the LOCK button again within five seconds. The doors will lock again and the horn will beep.

Activating the remote personal alarm

If you wish to activate the remote personal alarm, press the PANIC button. This will honk the horn and flash the tail lamps for approximately two minutes and forty-five seconds. You can turn it OFF by pressing the PANIC button again on the same transmitter or by turning the ignition key to the RUN position. If the alarm does not turn off, move the transmitter closer to the vehicle and press the button again.

Features

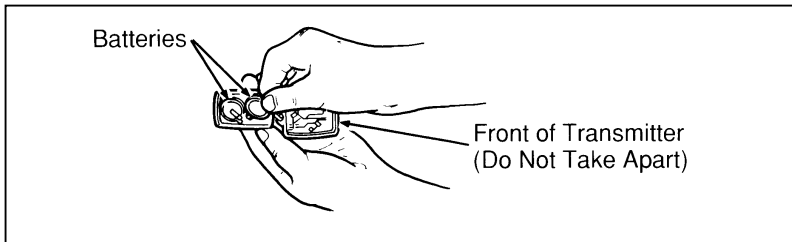
When you use the remote entry UNLOCK, or PANIC buttons, the illuminated entry system turns on the interior lights for 25 seconds. You can turn these lights off with the LOCK button or by turning the ignition to the RUN position.

Replacing the batteries

The remote entry transmitter is powered by two coin type three-volt lithium 2016 batteries (included) that should last for several years of normal use. If you notice a significant decrease in operating range, the batteries should be replaced.

Replacement batteries can be purchased at most pharmacies, watch stores or at your Ford or Lincoln-Mercury dealer.

NOTE: The operating range of the remote entry system can also be affected by weather conditions (such as very cold temperatures) or structures around the vehicle (buildings, other vehicles, radio towers, etc.). Typical operating range will allow you to be up to 33 feet (10 meters) away from your vehicle.



Replacing the batteries

The transmitter can be snapped apart to replace the batteries by twisting a thin coin between the two halves of the transmitter. **DO NOT TAKE THE FRONT PART OF THE TRANSMITTER APART.** When installing the new batteries, be sure to place the positive (+) side down as marked. Snap the two halves back together.

Replacement/additional transmitters

In the event a transmitter is lost, return the remaining transmitters to your dealer for reprogramming of your remote entry system. This is necessary to prevent further unauthorized use of the lost transmitter.

Additional transmitters may be purchased from your dealer (remote entry system will work with up to four transmitters). Return your existing transmitters to your dealer so the remote entry system can be reprogrammed with your new and existing transmitters.

THIS DEVICE COMPLIES WITH PART 15 OF THE FCC RULES. OPERATION IS SUBJECT TO THE FOLLOWING TWO CONDITIONS: (1) THIS DEVICE MAY NOT CAUSE HARMFUL INTERFERENCE, AND (2) THIS DEVICE MUST ACCEPT ANY INTERFERENCE RECEIVED, INCLUDING INTERFERENCE THAT MAY CAUSE UNDESIRE OPERATION.

Illuminated Entry System (If equipped)

This system will provide illumination of the vehicle's interior courtesy lamps when either outside front door handle is pulled or when the remote entry system is used to unlock the door or sound the personal alarm. The system will automatically turn off after approximately 25 seconds or when the ignition is turned to the RUN or ACC position.

NOTE: The illuminated entry timer will not turn off the courtesy lamps if they have been turned on by the door and or dimmer switch.

Autolock

The Autolock feature is part of your remote entry system and is enabled at the factory. With the Autolock feature enabled, all of the doors will automatically lock when:

- the vehicle doors and liftgate are closed

- the ignition key is turned to the ON position
- the brake pedal is pressed
- you shift through R (Reverse)
- the brake pedal is released

The Autolock feature will repeat when:

- a door is opened and then all doors and the liftgate are closed
- the brake pedal is released

On vehicles with Keyless Entry, you can deactivate the system by using the buttons for the keyless entry system if you do not want to use the Autolock feature.

The doors may not lock automatically at the correct time if the driver:

- shifts through gears without pressing the brake
- shifts through gears quickly after starting the vehicle
- releases their foot from the brake while someone has stepped out of the vehicle for a moment

To deactivate the Autolock system:

1. Enter your permanent five-digit entry code (not the user code you may have set).
2. Within five seconds, press and hold 7/8.
3. Within five more seconds, press and release 3/4.
4. Release 7/8.

To reactivate the Autolock system, simply repeat the instructions for deactivating the system. By re-entering the code that deactivates the Autolock, the keyless entry system reinstates the Autolock feature.

Anti-Theft System (if equipped)

When armed, this system helps protect your vehicle against break-ins or theft.

When an unauthorized entry occurs, the system triggers and will:

- flash the headlamps, parking lamps, and alarm indicator lamp
- honk the horn
- disable the starting circuit to prevent the vehicle from being started

Arming the system

1. Remove the key from the ignition. The hood must be closed to arm the system.
2. Open any door. The alarm indicator light will start flashing to remind you to arm the system.
3. Lock the doors by using the power door lock switch. The alarm indicator light will now glow steadily.
4. Close all doors. The alarm indicator light will then remain on steadily for 30 seconds and then go out. When the light goes out, the system is armed.

NOTE: Be sure to close all doors completely. If not, the alarm indicator light will remain on. Remember, your anti-theft system is armed only after the alarm indicator light remains on steadily for approximately 30 seconds after the last door is closed, and then goes out.

You can also arm the anti-theft system with the factory installed remote entry system or the keyless entry system by following this sequence:

1. Remove the key from the ignition. The hood must be closed to arm the system
2. Close all of the doors.
3. Press the remote entry transmitter LOCK button or use the keyless entry system by pressing 7/8 and 9/0 at the same time. The alarm indicator will come on for 30 seconds to show the alarm is arming and then turn off to show that it has armed.

The anti-theft system is designed to work with the factory installed remote keyless entry system. It may not work with other remote entry systems.

Disarming an untriggered anti-theft system

You can disarm the system by unlocking either front door or the liftgate with your door key. Turn the key all the way to the end of travel or the system will not disarm.

You can also disarm the system by unlocking the driver's door by using the UNLOCK button of the remote entry transmitter or by using the five-digit unlock code on the keyless entry system keypad.

If the system is armed and you remain in your vehicle, simply insert the key into the ignition and turn it to ON. This disarms the system and allows you to open the door and exit without triggering the system.

Disarming a triggered system

The alarm can be disarmed by:

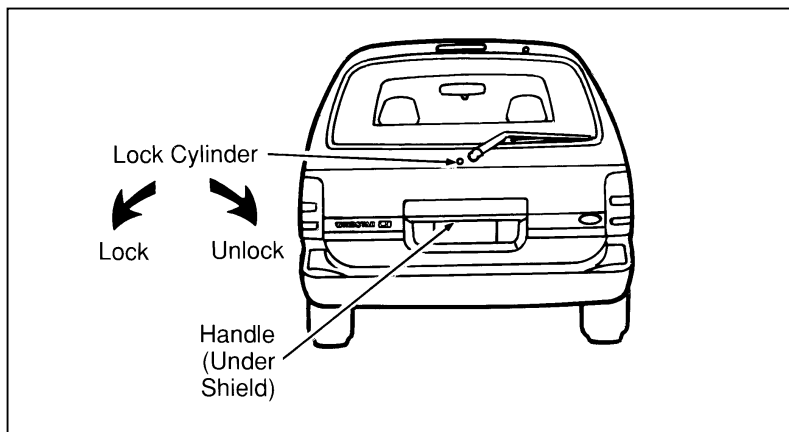
- unlocking any door with the key, or
- using the UNLOCK button of the remote entry transmitter
- using the five-digit unlock code on the keyless entry keypad

NOTE: The flashing lights and honking horn will shut off automatically approximately two minutes and 45 seconds after the system is triggered. It will trigger again if another intrusion occurs. However, the starter circuit remains disabled until the system is disarmed.

Liftgate

Liftgate opening procedure

1. To open the liftgate, insert the door key into the lock and turn it clockwise. You can also unlock the latch (but not release it) with the power door lock system.
2. Reach under the license plate light shield and release the liftgate latch by squeezing the paddle handle rearward.
3. To make the gate swing up to the fully opened position, pull back and upward on the latch paddle handle under or behind the license plate shield.



Opening the liftgate

Make certain that you close the liftgate door before driving your vehicle. Possible damage may occur to the liftgate door lift cylinders and attaching hardware if the liftgate door is not closed prior to driving.

 **WARNING**

Make sure that the liftgate door is closed to prevent exhaust fumes from being drawn into the vehicle. This will also prevent passengers and cargo from falling out. If you must drive with the liftgate door open, keep the vents open so outside air comes into the vehicle.

Liftgate closing procedure

1. To make the liftgate swing downward, reach up and pull the lower edge of the liftgate (or the loop handle on the inner trim panel of vehicles with this option) and pull downward.
2. When you have pulled down the liftgate enough so that you can reach the license plate light shield, push the shield down and forward to close the latch and liftgate. At this point, the latch is not locked.
3. You can lock the liftgate latch by pushing down the night-lock button (located on the inside of the liftgate at the bottom of the window) before you pull down and close the liftgate. You can also lock the liftgate latch by inserting your vehicle's door key and turning it counterclockwise after you have closed the liftgate, or by using the power door locks on the front doors or the power lock switch in the cargo area.

The liftgate area is only intended for cargo, not passengers. You can open and close the liftgate from outside the vehicle. It cannot be opened from inside the cargo area.

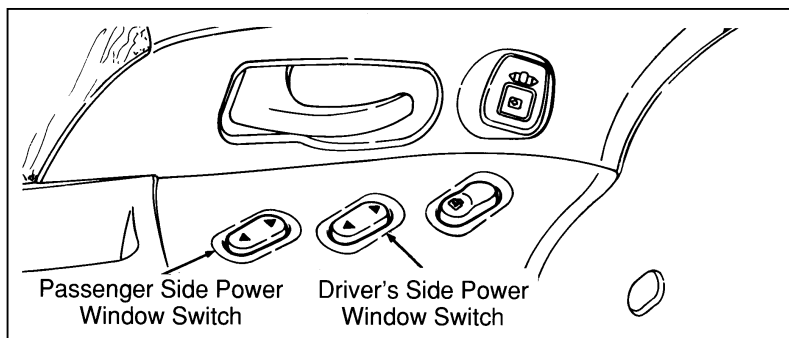
Windows

Power Windows with Accessory Delay (If equipped)

Both of the front doors have a power control that opens and closes the window on that door. The driver's door has master controls that operate both front door windows. You must initially place the ignition switch in the ON or ACC position to use your power window controls. The Accessory Delay function also allows the power windows to be operated for up to 30 seconds after the ignition key is removed or taken out of the ON or ACC position. Accessory Delay will be cancelled, however, if either of the front doors are opened.

To open a window, press the recessed area of the switch. To close it, press the raised area of the switch.

| |
|--|
| ⚠ WARNING |
| Do not let children play with the power windows. They may seriously hurt themselves. Make sure occupants are clear of the window(s) before closing. |



The power window switches

One-Touch-Down Power Window (If equipped)

The one-touch-down power window feature allows you to completely open the driver's window without holding down the window switch. To open the window completely, tap quickly on the lower half of the switch and release it. If the top of the button is pressed firmly while the window is going down, the window will stop at that position.

To open the window only partially, press the lower half of the switch lightly and hold it until the window has opened to the desired position and then release the switch.

To close the window you must hold the upper half of the button until the window closes.

Canceling and reactivating the one-touch-down feature

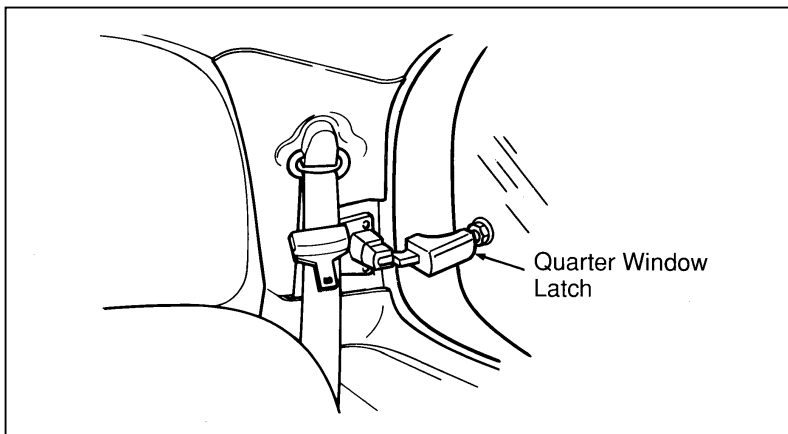
The one-touch-down power window feature can be cancelled and reactivated at any time using the following procedure:

1. Make sure the two front doors are securely closed.
2. Insert the key into the ignition and turn first to the ON position and then back to the OFF position. Remove the key and within 30 seconds:
3. Press and hold the DOWN side of the driver's side window rocker switch.
4. Within two seconds, put the key in the ignition.
5. Hold the switch down until a long (two second) tone is heard. Release the switch while the tone is active.
6. After the long tone, a confirmation sequence will be heard. One beep indicates the feature is inactive. Two beeps indicates the feature is active.

Repeat this procedure any time you want to cancel or reactivate the one-touch-down power window feature.

Manual Flip-Open Quarter Windows

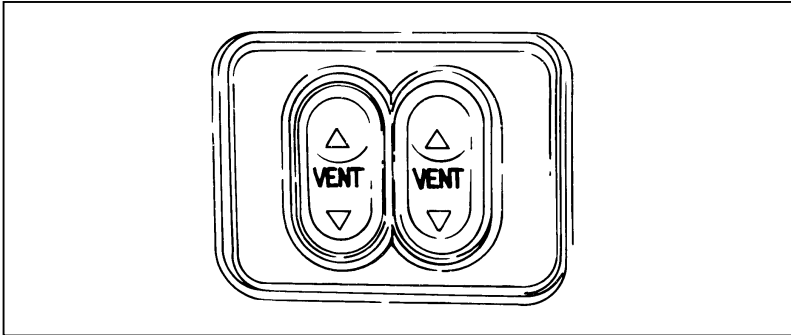
To open the flip-open quarter windows in the third row, squeeze the upper and lower pads and pull the rear portion of the latch toward you. Swing the latch forward and out, then lock it into the open position by pushing rearward until you hear a click. To close the windows, squeeze the upper and lower pads and pull the handle inward. Release pads and push the handle inward until you hear a click.



Manual flip-open quarter window latch location

Power Quarter Windows (If equipped)

The power rear quarter vent windows operate with the ignition in the ON or ACC positions. The vent windows are controlled by the right and left switches located in the center of the instrument panel, just to the right of the rear defogger. Press the indented side of the switch to open the windows; press the raised side of the switch to close the windows.



The power quarter window switches

Seats

Adjusting the Seats

Adjusting the front seats manually

To move the front seats forward or backward:

1. Find the adjustment bar at the lower cushion of the front seat.
2. Pull the bar up to unlatch the seat.
3. Move the seat to the desired position.
4. Release the bar to latch the seat in its new position. Make sure the seat locks securely in place.

| |
|---|
| ⚠ WARNING |
| Never adjust the driver's seat or seatback when the vehicle is moving. |

⚠ WARNING

Do not pile cargo higher than the seatbacks to avoid injuring people in a collision or sudden stop.

⚠ WARNING

To reduce the risk of serious injury in a collision, always drive and ride with your seatback upright and the lap belt snug and low across the hips.

⚠ WARNING

To reduce the risk of serious injury in a collision, children should always ride with the seatback upright.

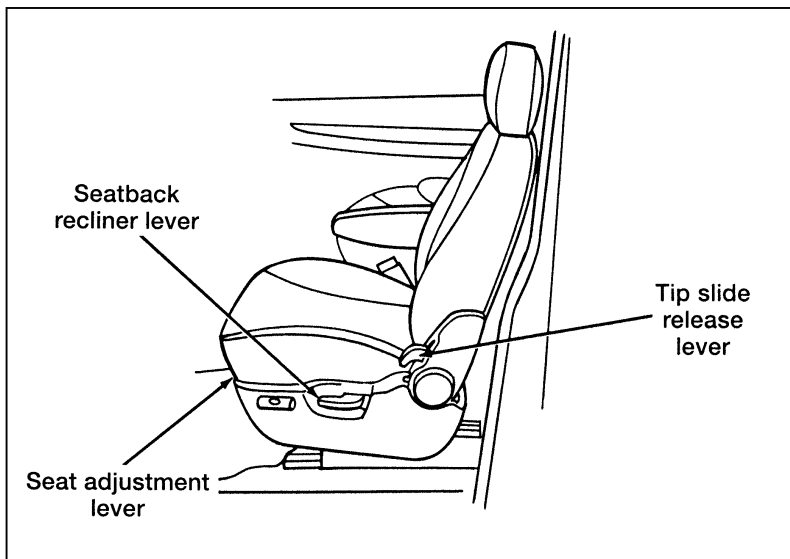
Tip Slide Seat (If equipped)

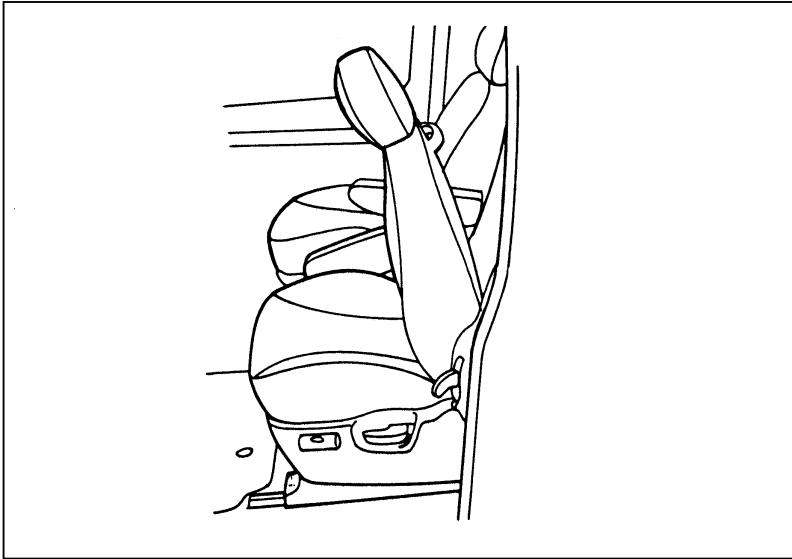
This feature allows convenient access into the second row seats through the driver's door.

To operate the tip slide seat:

1. Lift the tip slide release lever located at the base of the driver's seatback. The seatback tilts forward and the tip slide seat latch mechanism is released.

Features



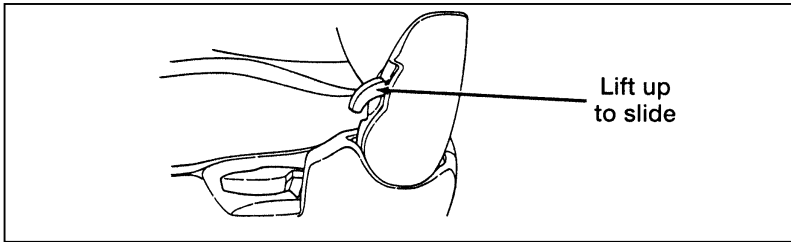


2. Push on the seatback to move the seat assembly forward. This provides access to the second row for loading and unloading groceries, briefcases, passengers, etc. through the driver's door.

To return the driver seat to its previous position and seat angle:

1. Push the seatback to move the seat assembly rearward, until the pedestal stops.

Features



2. Continue pushing to return the seatback to its previously locked position.

NOTE: When returning the seatback to its original position, you may experience a slight hesitation. If so, stop pushing the seatback momentarily, then resume. The seatback will only return to its original position after the seat is safely latched.

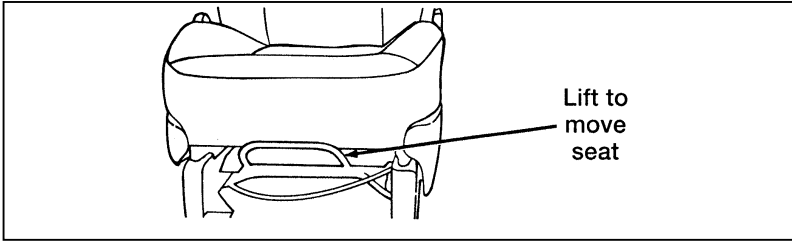
Your Windstar tip slide seat has been equipped with a lock-out safety feature which prevents the seatback from returning to its original position until the seat pedestal latches in the tracks. If the seat has not latched check under the seat and in the rear tracks for possible obstructions.

| |
|------------------|
| ⚠ WARNING |
|------------------|

| |
|--|
| DO NOT DRIVE THE VEHICLE WITH THE TIP SLIDE SEAT UNLATCHED. |
|--|

To move the seat forward or backward:

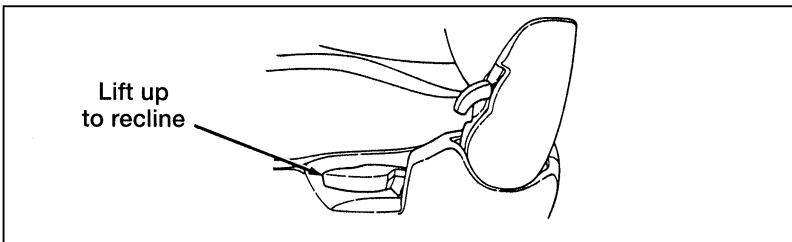
1. Find the adjustment bar underneath the front part of the seat.
2. Lift the bar to unlatch the seat.



3. Move the seat to the desired position.
4. Release the bar to latch the seat in its new position. Make sure the seat locks securely in place.

To recline the seat:

1. Lift the seatback recliner lever located on the side of the driver's seat cushion.



2. While holding the recliner lever up, adjust the seatback to the position you want. You can tilt the seat back or bring it forward.
3. Release the handle to lock the seat in its new position.

⚠ WARNING

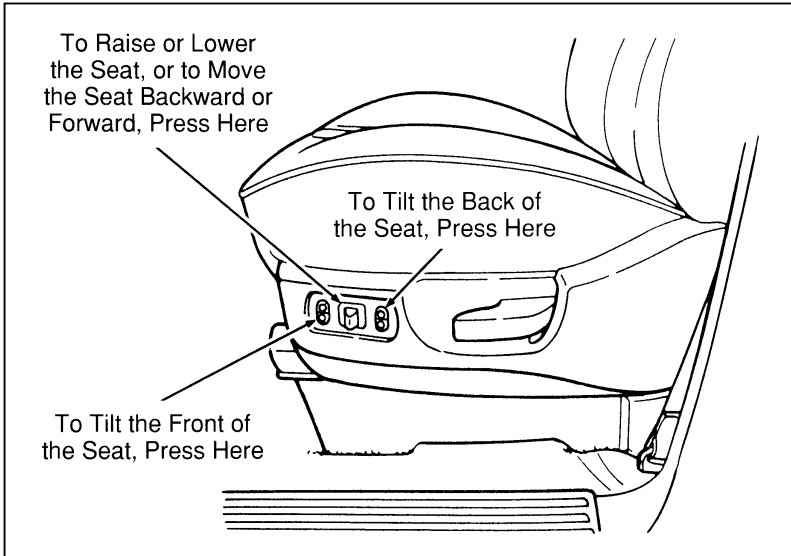
Never adjust the driver's seat or seatback when the vehicle is moving.

⚠ WARNING

To reduce the risk of serious injury in a collision, always drive and ride with your seatback in an upright position with the lap belt snug and low across the hips.

Using the power seats (if equipped)

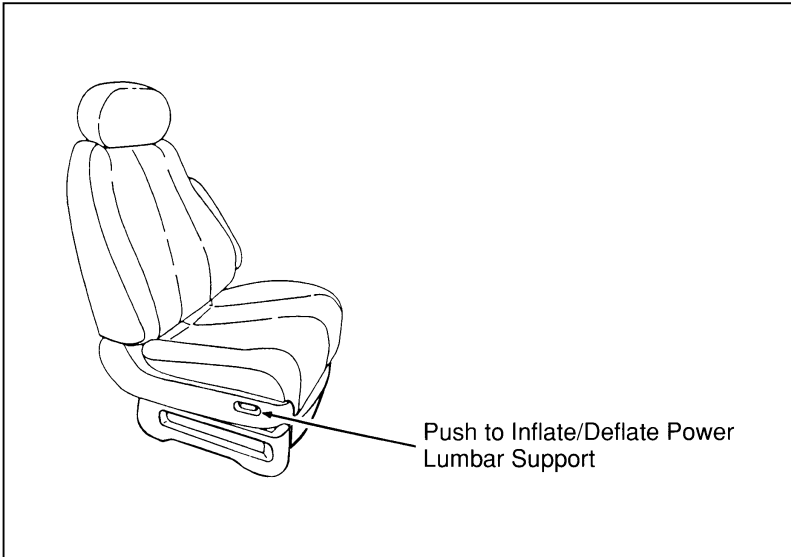
If your vehicle has the power seat option, you can adjust it in several directions. The controls are on the outboard side of the driver's seat.



The power controls on the driver's seat

***Power lumbar support, driver/passenger seat
(If equipped)***

If your vehicle is equipped with this option, you can inflate a lumbar support pad in the seat back. To inflate the lumbar pad, push the raised side of the rocker switch. To deflate, push the recessed side of the switch.



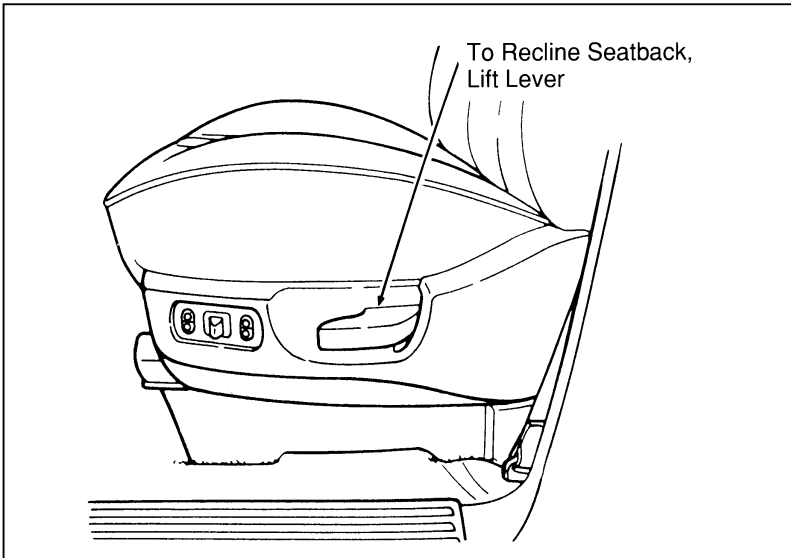
The power lumbar switch on the passenger seat

Reclining Bucket Seats

Your vehicle is equipped with reclining front bucket seats and may have optional reclining second row buckets. To recline your seat:

1. On the left sides (front seats) or window seat sides (second row buckets) of the seats, find the handle for the recliner.
2. Lift the handle up and hold it in place.

3. Lean against the back of the seat and adjust it to the position you want.
4. Release the handle to lock the seatback in position.
5. To return the seatback to upright position, lift the handle and lean forward. Then release the handle.

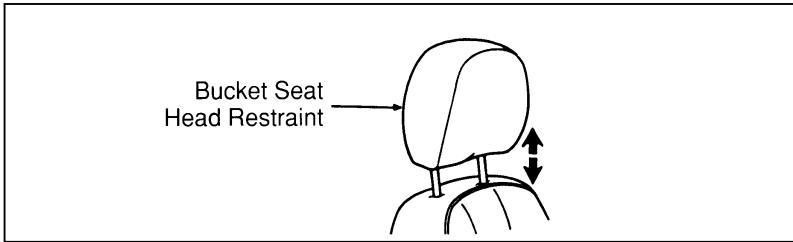


Reclining bucket seat

Adjusting the Head Restraints (LX Only)

Your vehicle's bucket seats are equipped with head restraints which are vertically adjustable. The purpose of these restraints is to limit head motion in the event of a rear collision.

To adjust the head restraints up, simply pull up on them. To adjust them back downward, push down. The head restraints will remain stationary in whatever position they are placed.



Head restraint adjustment

NOTE: On GL models, front bucket seats are designed with integral headrests.

E-Z access operation — passenger side optional second row bucket seats

To provide easy access to the rear of the vehicle, the passenger side second row bucket seatback can be tilted forward.

To tilt seat forward:

1. Put the seatback in the upright position.
2. Lift upward on the handle on the right (outboard) side of the seat (also the recliner release handle).
3. The seat can now be tilted forward.

To latch the seat in its normal position, push seatback rearward until it is latched in position.

Adjustable Three Passenger Bench Seat (If equipped)

Your vehicle's third row passenger bench seat may be adjustable forward and backward. This adjustment allows for additional cargo space with the seat adjusted to the full forward position and extra leg room when adjusted rearward.

Rotate the release handle upward to unlatch. The release handle is located on the right side of the seat near the floor. Adjust to the desired seat position and release the handle. Make certain the seat is latched and secure.

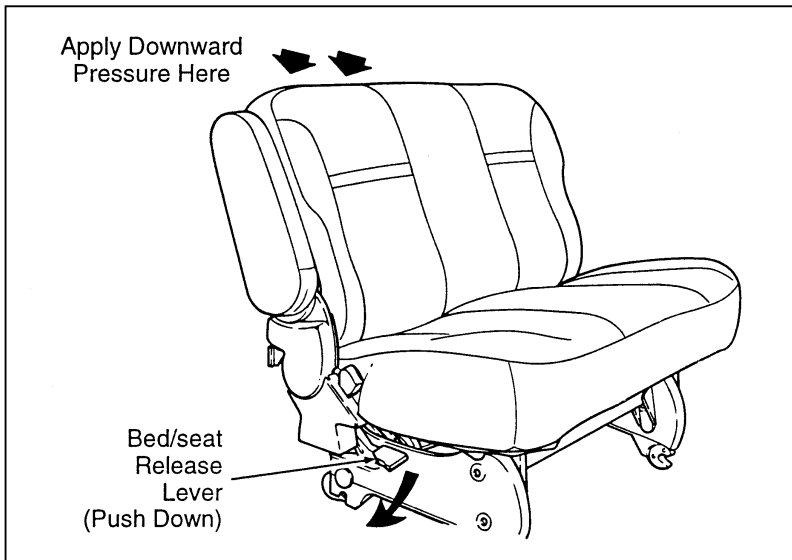
Seat/Bed Conversion (If equipped)

2nd Row Seat

To convert the seat to a bed:

1. Unlatch the seat/bed lever, located on the right-hand side of the seat cushion by pushing down.
2. Push the seatback down and rearward by applying pressure at the top of the seatback until it latches.

The seat cushion will move forward when going from the seat to the bed position.



2nd row seat (seat position)

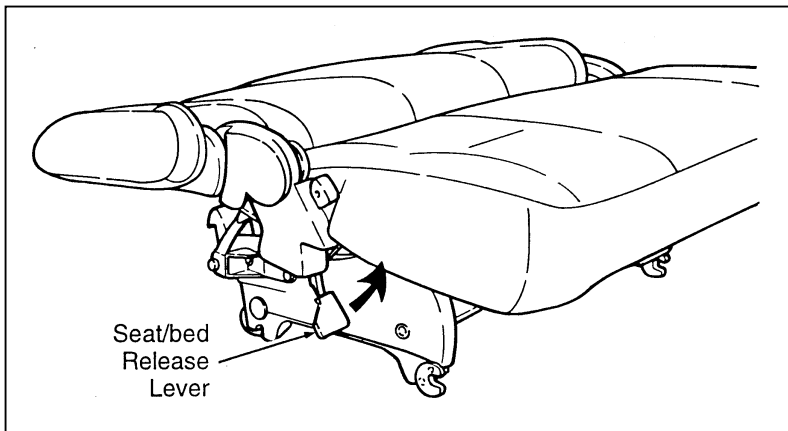
To convert the bed to a seat:

1. While in front of the seat, pull the release lever up, slightly raise the seatback, then push the seat bottom rearward until the seatback is in the full upright and locked position.

-
2. Make sure the safety belts are free and available for use.

⚠ WARNING

The seat/bed should not be occupied while the vehicle is moving unless it is in the upright, fully-latched position.

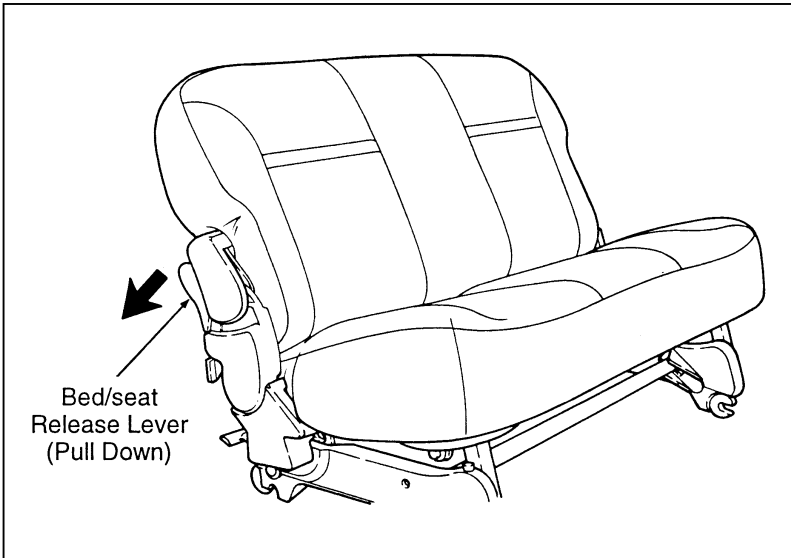


2nd row seat (bed position)

3rd row seat

To convert the seat to a bed:

1. From the rear of the vehicle, pull down on the release lever located on the right-hand side of the seat, and at the same time pull the seatback rearward.
2. Push down at the top of the seatback until it latches.



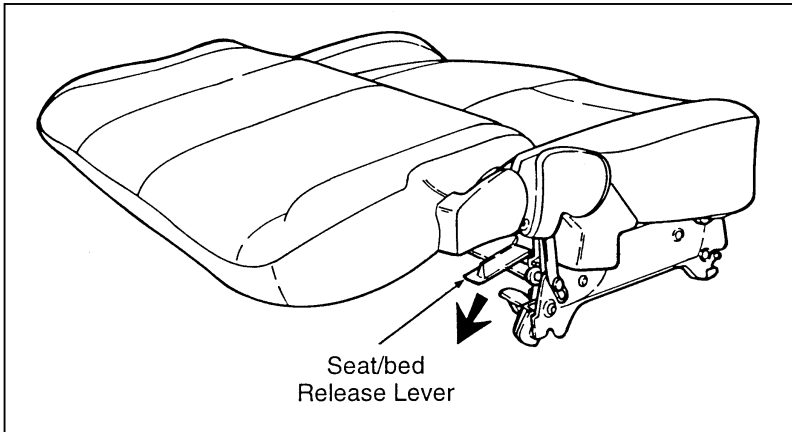
3rd row seat (seat position)

To convert the bed to a seat:

1. From the rear of the vehicle, pull the release lever down and at the same time lift the seatback up. Raise the seatback to the full upright and locked position.
2. Make sure the safety belts are free and available for use.

⚠ WARNING

The seat/bed should not be occupied while the vehicle is moving unless it is in the upright, fully-latched position.



3rd row seat (bed position)

Removing the Seats

Quick release second row bucket seats (if equipped)

To remove the second row bucket seats:

1. Lift the seat latch handles (located at the rear of the seat near the floor) up and rearward, causing the latch hooks to disengage from the rear floor attachments.
2. While lifting the handles, lift the seat at the rear and rotate entire seat assembly forward, pivoting on the front floor attachments. When seat latches are clear of floor attachments, release the latch handles.
3. Pull the seat rearward to disengage it from the front floor pins.

To install the second row bucket seats:

1. Lift the seat assemblies into the vehicle.
2. Locate front hooks on front pins and drop rear hooks over rear pins with enough force to cause the hooks at the rear to engage and hook on to the pins in the floor wells.
3. Ensure that the latch handles are fully seated in the down position.

| |
|--|
|  WARNING |
|--|

| |
|---|
| <p>Check to see that the seat is latched securely in position. Keep floor area free of objects that would prevent proper seat engagement. Never attempt to adjust the seat latch while the vehicle is in motion.</p> |
|---|

Two and Three Passenger Bench Seat Assemblies

NOTE: It is easiest to remove/reinstall both the second and third row bench seats through the sliding door. Also, remove any floor mats (if equipped) in the rear seating compartments before seat removal.

To remove seat assembly:

1. (For second row bench seat only) Disengage the tongue portion of the lap/shoulder belt from the detachable anchor assembly by inserting a key or small screwdriver into the slot provided on the detachable anchor (see Figure 1). When this shoulder belt assembly is free of the seat, allow the retractor to wind up the slack in the belt.

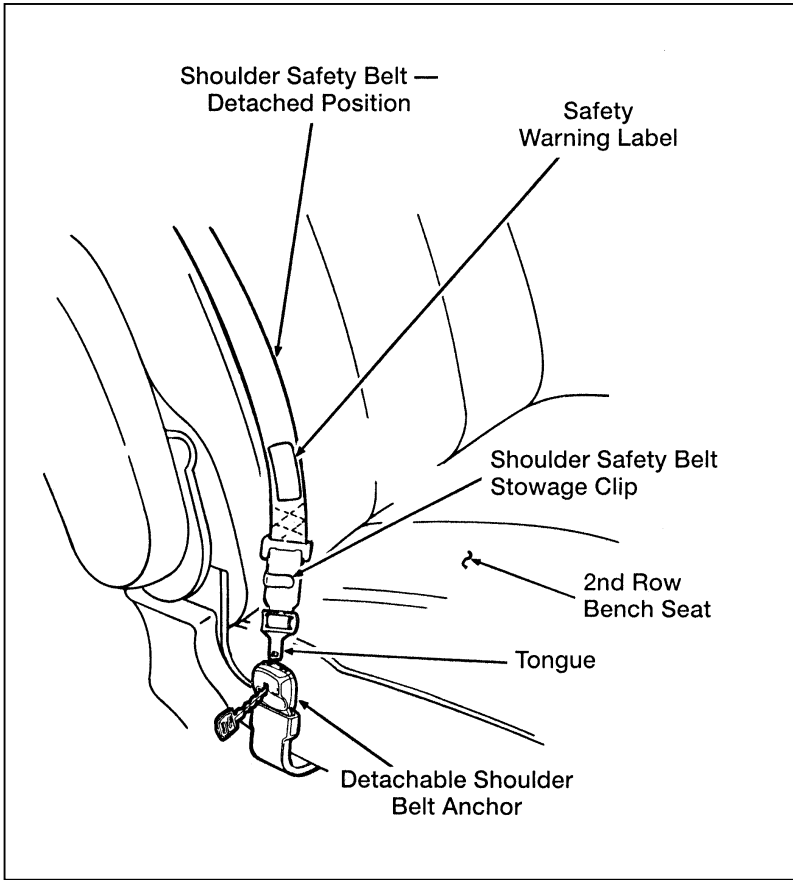


Figure 1: Second row detachable anchor — detached position

- Using the clip attached to the end of the shoulder belt, clip the end of the belt to the stationary portion of the shoulder belt (see Figure 2). The end of the shoulder belt **must** be clipped in order to keep it from striking anything during vehicle operation.

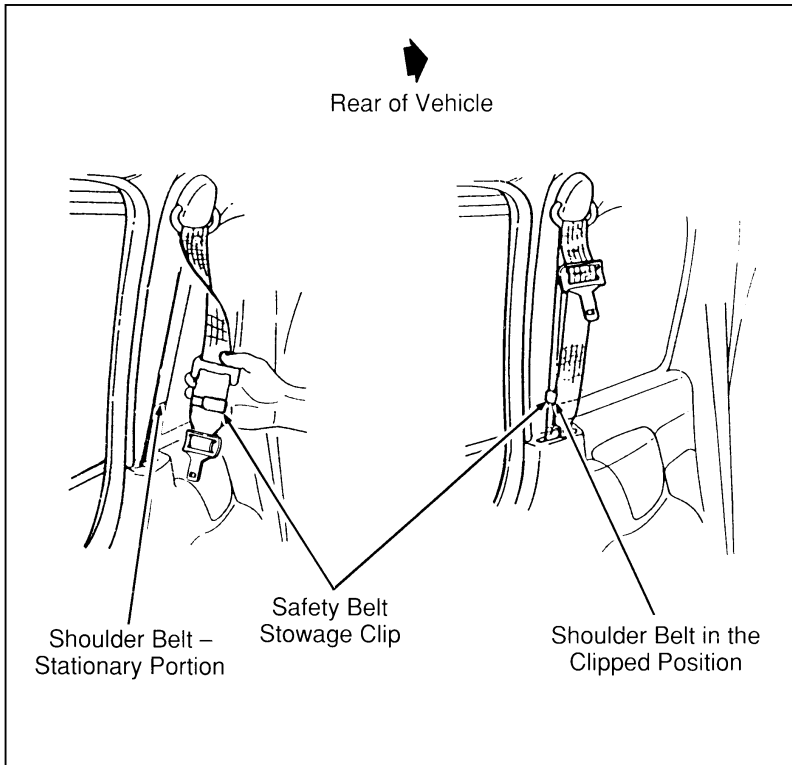


Figure 2: Securing the detachable shoulder belt

Refer to Figure 3 for steps 3-6.

3. Release the seatback by pulling the lever located at the back of the seat on the right hand side. Fold the seatback forward and latch it in the down position (except for bench seat equipped with built-in child safety seat).

4. Locate the seat latch handles at the rear of the seat near the floor. For the second row bench seat, lift the latch handles up and rearward. For the third row bench seat, just lift the latch handles. The latch hooks will disengage from the rear floor attachments.
5. While still lifting the handles, lift seat at rear and rotate entire seat assembly forward, pivoting on the front floor attachments. When the rear seat latches are clear of floor attachments, release the latch handles.
6. Pull the seat rearward to disengage it from the front floor pins.

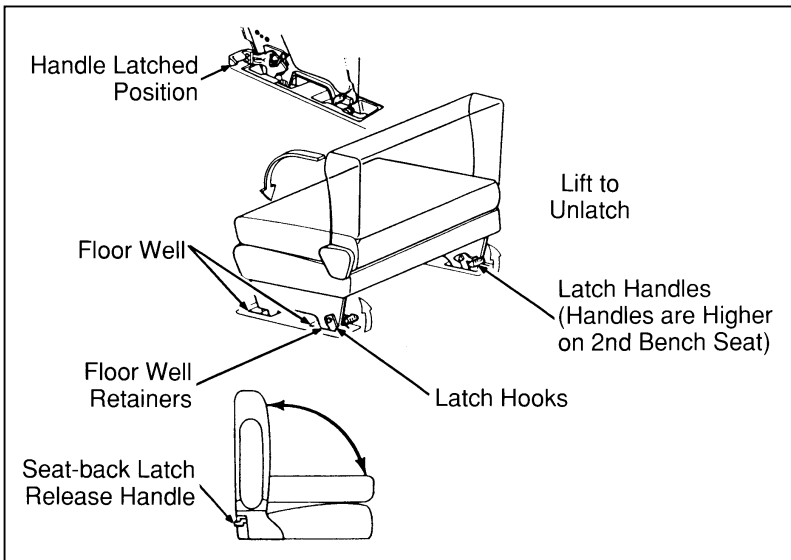


Figure 3: Removal and installation of the second and third bench seats

Features

Be careful that the latches are not damaged when the seats are stored.

To install the seat assembly:

1. Clear the area of debris around the seat floor attachments.
2. With the seatback in a folded and latched position (except for bench seats equipped with built-in child safety seat), place the seat assembly in your vehicle. Tip the seat assembly forward and engage the front seat hooks onto the forward attachment pins in the floor wells.
3. Rotate the seat downward and engage the latch into the rear floor attachment. Lifting of the latch handles is not required for installation.
4. Ensure that the latch handles are fully seated in the down position.
5. (Second row bench seat only) Before you engage the safety belt, be sure it is not twisted. A twisted safety belt may cause the retractor to not work properly. Remove any twist, then insert the tongue end of the safety belt into the detachable anchor until you hear a “snap” and feel the latch engage.
6. To raise the seatback, pull up on the seatback latch handle. A slight downward pressure on the seatback (bench seat only) will reduce effort on the latch. Rotate the seatback upward until the latch re-engages.

| |
|--|
|  WARNING |
|--|

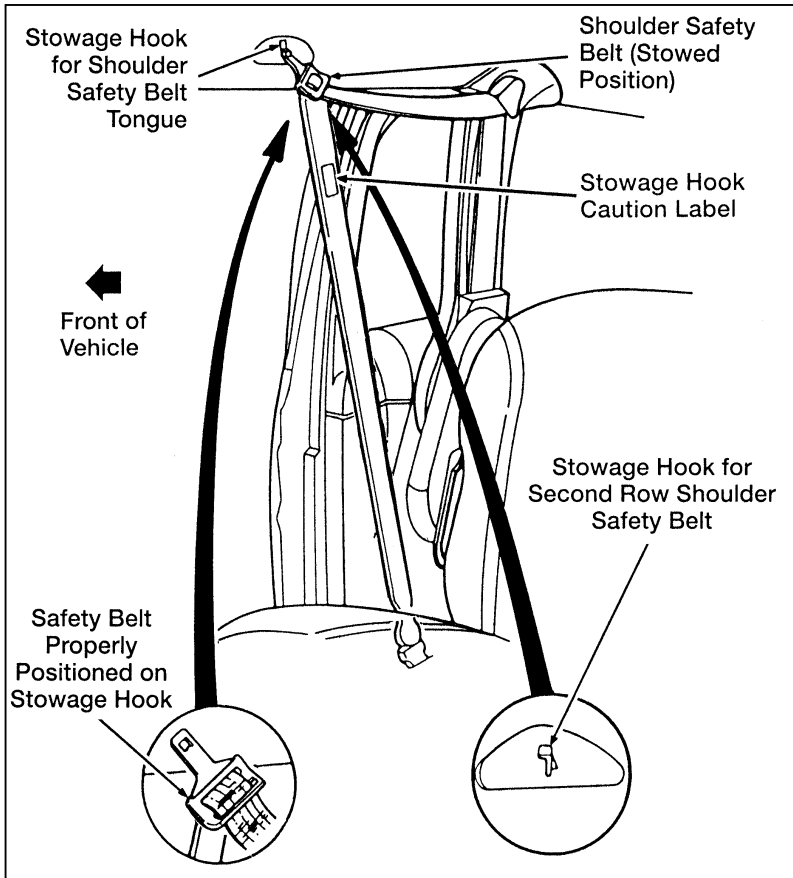
| |
|--|
| <p>When reinstalling a rear seat in your vehicle it must be placed in its original position. Improper installation of the seat will prevent correct use of the safety belts and could increase the risk of injury. Refer to the warning label on the seat belt.</p> |
|--|

Whenever the second row bench seat is installed in the vehicle and no one is using the outboard seating position (nearest the sliding door), the lap/shoulder safety belt must be properly stowed.

The second row passenger side outboard seating position uses a hook above the sliding/cargo door to stow the shoulder safety belt when entering or exiting the vehicle or when it is not being used.

NOTE: When the belt is stowed using the hook, DO NOT use the hanging belt as an assist when entering the vehicle.

Features



Proper stowage of shoulder safety belt

The two passenger bench seat must be installed in the first row behind the front seats.

⚠ WARNING

Never adjust the driver's seat or seatback when the vehicle is moving.

⚠ WARNING

Always latch the vehicle seat to the floor, whether the seat is occupied or empty. If not latched, the seat may cause injury during a sudden stop.

⚠ WARNING

Before using the seat, make sure that the latch hooks are securely locked around the floor pins.

Cleaning the Seats

Leather and vinyl

For routine cleaning, wipe the surface with a soft, damp cloth. For more thorough cleaning, wipe the surface with a leather cleaner or a mild soap.

Fabric

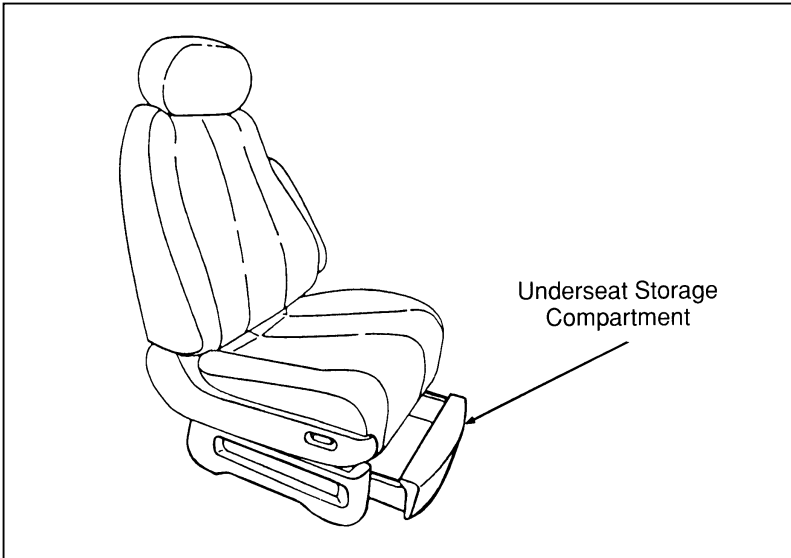
Remove dust and loose dirt with a whisk broom or a vacuum cleaner. Remove fresh spots immediately. Follow the directions that come with the cleaner.

NOTE: Before using any cleaner, test it on a small, hidden area of fabric. If the fabric's color or texture is adversely affected by a particular cleaner, do not use it.

Storage Compartments

Underseat Storage Compartment (If equipped)

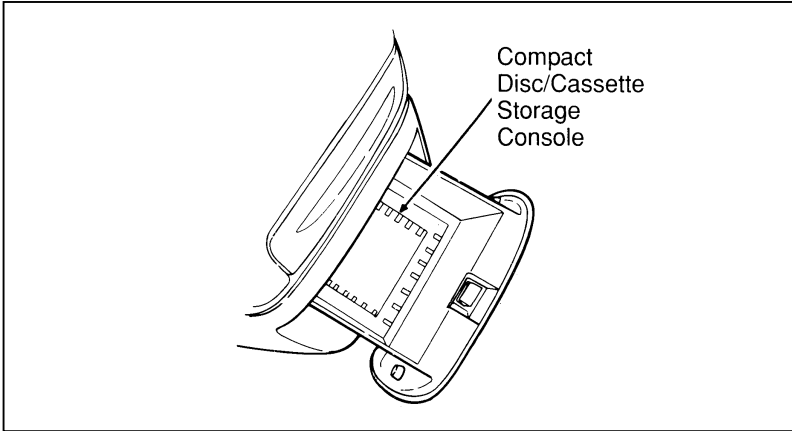
The underseat storage compartment is located underneath the front passenger seat. It can be opened by pulling up and toward the instrument panel.



The underseat storage compartment

Compact Disc and Cassette Storage Console (If equipped)

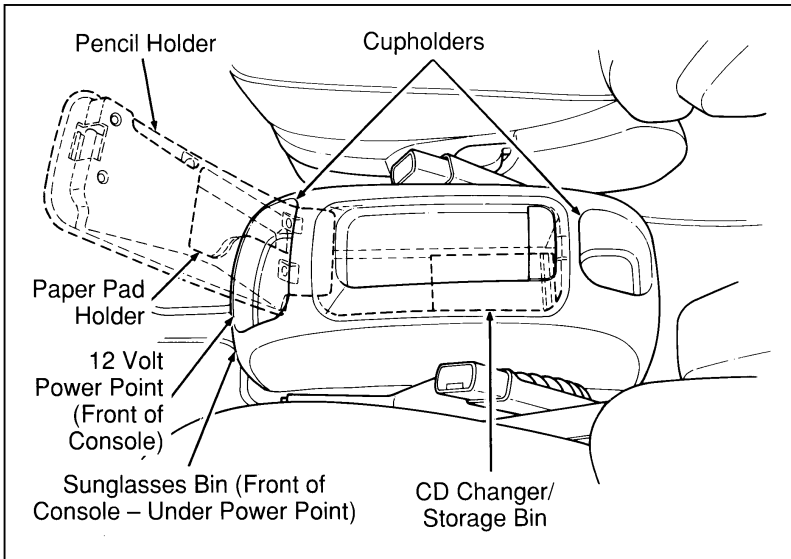
A storage compartment is included below the radio for storage of your discs or cassettes. There is also a compact disc and cassette storage insert in the storage compartment located under the front passenger seat (if equipped).



Compact disc/cassette storage

Console (If equipped)

Your vehicle may have a full console. Console features are detailed in the following illustration. To open the console lid, lift up on the latch toward the rear of the console. If your vehicle has the CD changer (a dealer installed option), this console could also house the changer and conceal it from sight.

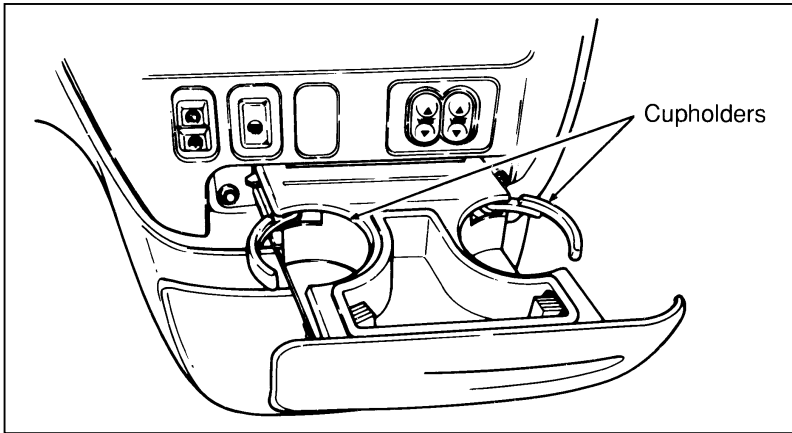


The full console

Cupholders

The front seat cupholders are located with the ashtray. To access the cupholders, pull open the ashtray drawer which is located to the right of the steering column, above the compact disc and cassette storage console.

As you close the ashtray drawer, the cupholders will automatically fold back into place.



The front seat cupholders

Your vehicle also has rear seat cupholders built into the side panels.

NOTE: Do not place heavy objects in the cupholders.

Mirrors

| |
|------------------|
| ⚠ WARNING |
|------------------|

| |
|--|
| <p>Make sure you can see clearly through the rearview mirror at all times. Do not allow anything to block your vision. If you can't see through the mirror, you could be involved in an accident and injure yourself or others.</p> |
|--|

Side View Mirrors

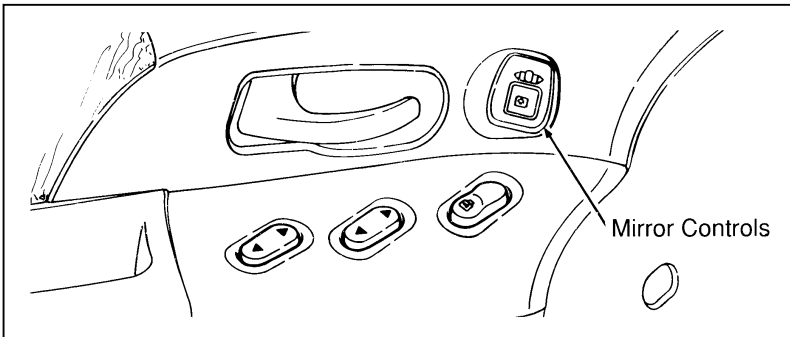
Close your door and adjust the driver's seat to the most comfortable position before you adjust the side view mirrors.

If you have manually adjusting side view mirrors, you can adjust them in any direction by moving the mirror glass. The mirror heads should be folded rearward to prevent damage when using an automatic car wash.

NOTE: Be careful. The convex side view mirror on the right makes objects appear smaller and farther away than they actually are. Use the inside rearview mirror (or look behind you) to determine the actual size and distance of objects that appear in the convex mirror.

Dual Electric Remote Controlled Mirrors (If equipped)

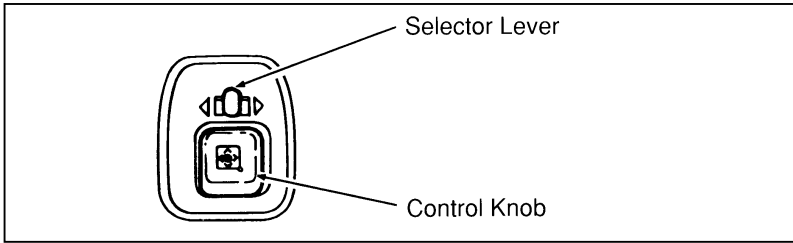
If you have power side view mirrors, you can adjust them in any direction by using the mirror controls on the door panel.



The electric mirror controls

To adjust the remote controlled side mirrors:

1. Select the right or left mirror by sliding the selector lever towards the right arrow or the left arrow.
2. Move the control knob in the direction you want to move the mirror.
3. Return the selector lever to the middle position to keep the mirror in place.

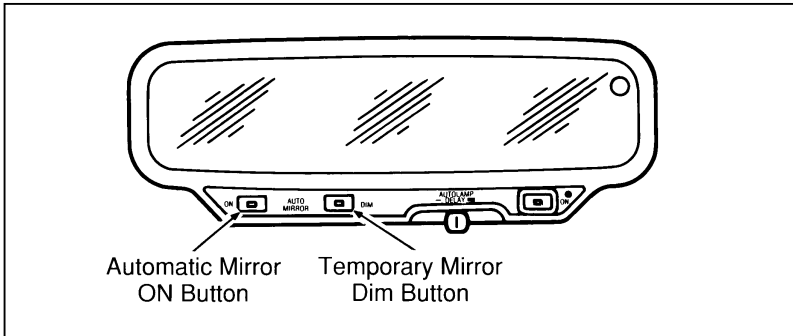


Operating the electric mirrors

Heated Side View Mirrors (If equipped)

The heated side view mirrors are automatically activated whenever you activate the rear defogger. The defogger in your vehicle automatically shuts off after 10 minutes. If additional defogging is necessary, reactivate the rear defogger.

Automatic Dimming Inside Rearview Mirror (If equipped)



The automatic non-glare mirror

The electronic day/night mirror will change from the normal state to the non-glare state when bright lights (glare) reach the mirror. This mirror functions at night, and has a limited function at dusk or dawn. From the non-glare state, the mirror

will return to the normal state after a short delay. The delay starts when the glare goes away. The delay prevents excessive changing of the mirror as traffic moves behind and around the vehicle, or on rolling hills and curves.

The electronic mirror measures the brightness of the light coming in from the rear of the vehicle. It automatically makes a correction in the glare state. The mirror may be turned off in either the normal or non-glare position.

There are two light sensors (photocells) in this mirror. The sensor that detects rear glare is located inside a window in the upper RH corner of the mirror. The second light sensor which determines outside light level is located on the backside of the mirror case.

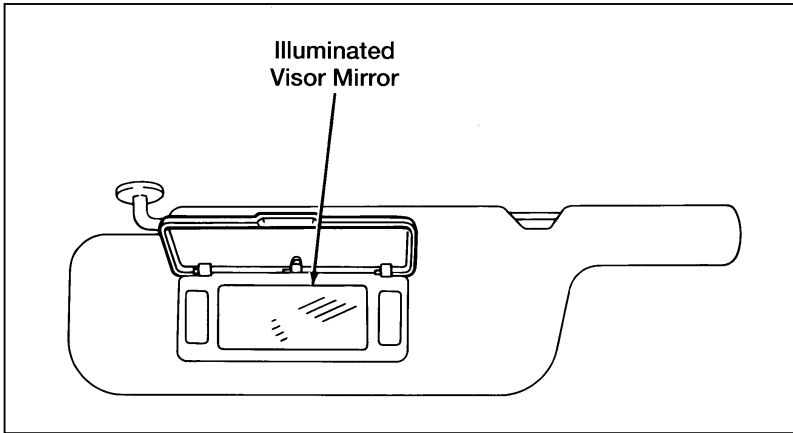
One important safety feature is that the mirror automatically returns to the normal position whenever the vehicle is placed in R (Reverse) (when the mirror is in the ON position). This feature ensures a bright clear view in the mirror when backing up.

To turn on the automatic mirror, have the key in the ON position and push the ON button once. The light in the center of the button will light indicating the mirror is on. To turn the mirror off push the ON button again.

The mirror can be temporarily darkened, if wanted, by pushing the Dim button. After releasing the button, the mirror will return to the previous operation mode after a short delay.

Illuminated Courtesy Mirror (If equipped)

Your vehicle may have illuminated courtesy mirrors on the sun visors. You can turn on the lighted mirrors by lifting the mirror door cover.



The illuminated mirror on the sun visor

Cargo Net (If equipped)

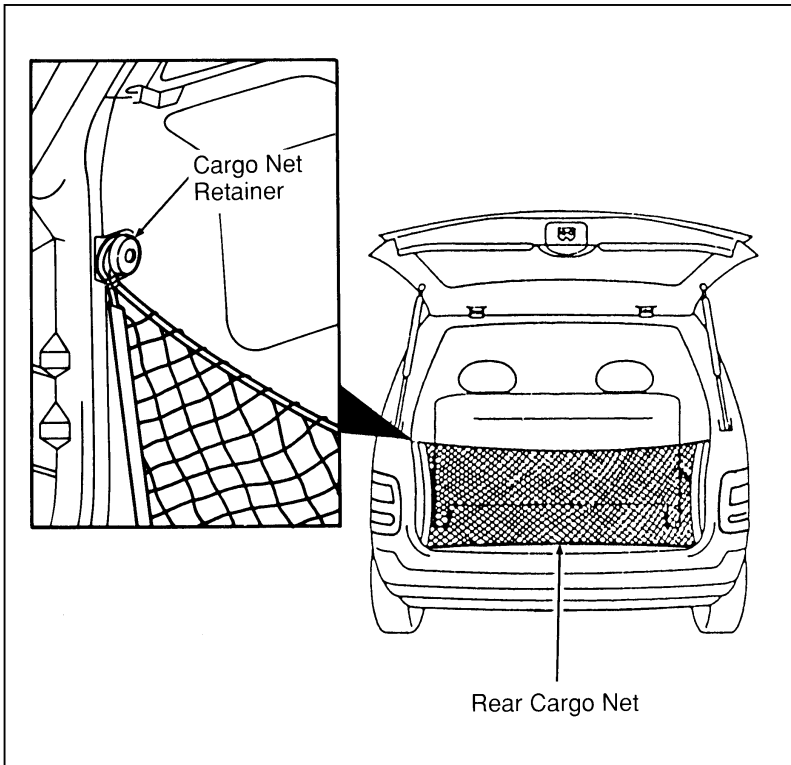
The cargo net is designed to hold your cargo upright between the third row bench seat and the liftgate to prevent it from moving around the cargo area.

To install the cargo net:

Attach the loops on the four corners of the net to the four retainers on the cargo area rear quarter panels. Pull on the net to be sure that it is fastened securely.

| |
|--|
| ⚠ WARNING |
| Be sure to secure all four loops into the retainers. The cargo restrained in the net must not exceed 50 lbs. (22.5 kg) or the net may not stay secured. |

To remove the cargo net, remove the loops from the four retainers.

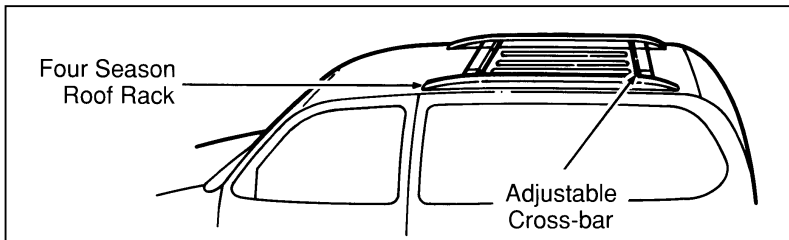


The rear cargo net

Four Season Roof Rack (If equipped)

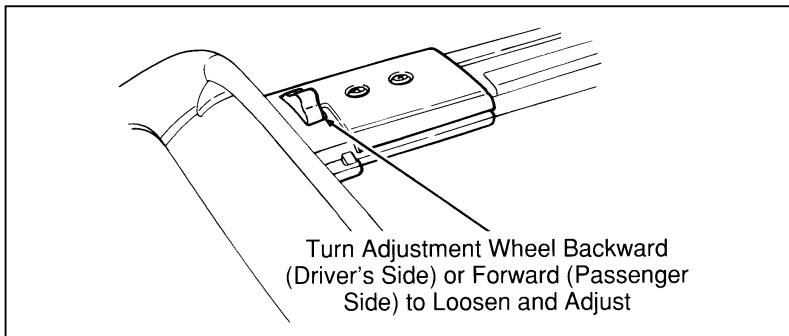
Always load your luggage as far back as it will safely go on the four season roof rack. Do not load more than 165 pounds (75 kg) on the roof rack structure or 100 pounds (45 kg) on the roof panel slats. Be careful that your vehicle does not exceed the Gross Vehicle Weight Rating (GVWR) or its Gross Axle Weight Rating (GAWR front and rear). The GVWR and GAWR are

located on the Safety Compliance Certification Label (located on the driver's door pillar).

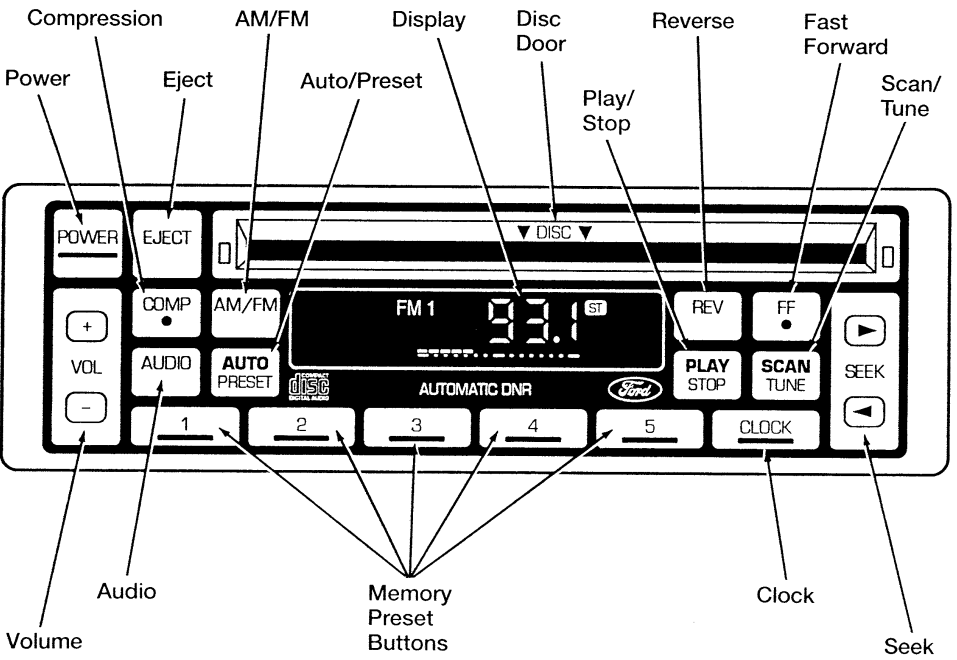


The four season roof rack

The rear cross-bar can be adjusted forward and backward. Place your luggage between the bars, adjust the rear bar, and secure the luggage with rope to the bars. Items carried on the roof rack must be properly secured before driving your vehicle.



The adjustable cross-bar



The Compact Disc Radio

Compact Disc Radio

The Compact Disc Radio combines the Electronic Stereo Radio with the Ford Compact Disc Player.

Using the Controls on Your New Radio/CD Player

Most of the features of this unit work for both radio and CD operation, depending on which mode the unit is in. Also, some of the buttons control several different functions, so be sure to read all of the operating instructions carefully.

How to turn the radio on and off

Press the “POWER” button to turn the radio on. Press it again to turn it off.

How to adjust the volume

Press the (+/-) side of the “VOL” button to increase/decrease the volume. Bars illuminate in the display to show the relative volume level.

NOTE: If the volume level is set above a certain listening level when the ignition switch is turned off, when the ignition switch is turned back on, the volume will come back to a “nominal” listening level. However, if the radio power is turned off (with the “POWER” button), the volume will remain in the position it was set at when radio power is switched back on.

Selecting the AM or FM frequency band

Push the “AM/FM” button to select the desired frequency band. When in the radio mode, pushing the button more than once will alternate between AM, FM1 and FM2. These functions are used with the station memory buttons described under *How to tune radio stations*.

Electronic Sound Systems

How to tune radio stations

There are four ways for you to tune in a particular station. You can manually locate the station using the “SCAN/TUNE” button, “SEEK” the station, “SCAN” to the station or select the station by using the memory buttons, which you can set to any desired frequency. These four methods are described below.

■ Using the “SCAN/TUNE” button to manually tune

You can change the frequency up or down one increment at a time (FM changes in increments of 200kHz; AM changes in increments of 10kHz) by first pressing the “SCAN/TUNE” button twice (display shows “TUNE”), then — **within approximately five seconds** — pressing and releasing either the top ► or bottom ◀ half of the “SEEK” button. To change frequencies quickly, press and **hold down** either the top or bottom half of the “SEEK” button. While you are manually tuning, the display will show a blinking “M”.

Manual tuning adjusts your radio to any allowable broadcast frequency, whether or not a station is present on that frequency. (See *All About Radio Frequencies* in this section.)

■ Using the “SEEK” function

This feature on your radio allows you to automatically select listenable stations up or down the frequency band. Press the top ► half of the “SEEK” button to select the next listenable station up the frequency band. Press the bottom ◀ half of the button to select the next listenable station down the frequency band. By pressing and holding the button, listenable stations can be passed over to reach the desired station.

-
- Using the “SCAN/TUNE” button to scan radio stations
Pressing the “SCAN/TUNE” button once enters the scan mode (display will indicate “SCN”). Pushing the top ► half of the “SEEK” button will begin the scan mode up the frequency band, stopping on each listenable station for approximately five seconds. Pushing the bottom ◀ half of the “SEEK” button will begin the scan mode down the frequency band, again stopping on each listenable station for approximately five seconds.

To stop the scan mode on the presently sampled station press the “SCAN/TUNE” button again.

- Setting the station MEMORY PRESET buttons
Your radio is equipped with 5 station memory buttons. These buttons can be used to select up to 5 preset AM stations and 10 FM stations (5 in FM1 and 5 in FM2). Follow the easy steps below to set these buttons to the desired frequencies.
1. Select a band, then select a frequency.
 2. Press one of the memory buttons and hold the button until the sound returns. That station is now held in memory on that button.
 3. Follow the two steps above for each station memory preset button you want to set.

Using the Automatic Memory Load and Automatic Memory Store features

NOTE: If no stations are in memory presets, you can activate the feature by pressing and holding the “AUTO PRESET” button for approximately three seconds. Auto Memory Load sets all memory buttons in AM, FM1 and FM2 sequentially by seeking out the first five strong stations for the respective band and storing them in memory buttons 1-5. (FM2 will store the second set of strong stations from the FM band.)

Electronic Sound Systems

With Auto Memory Store, you can continually set strong stations into your memory buttons without losing your existing memory presets, which is especially handy while traveling. Your radio will automatically set your memory buttons to the strong local stations so you don't have to continually manually tune to existing stations.

Activate Auto Memory Store by pushing the "AUTO PRESET" button once. Your radio will set the first five strong stations of the band you are in (AM, FM1 or FM2) into the memory buttons. The display will show "AUTO", then run through the frequencies, stopping momentarily on the stations being set into the memory buttons. The radio is now in the "AUTO" mode and this display will show "AUTO" each time a preset is activated.

NOTE: If there are fewer than five strong stations in the frequency band, the remaining unfilled buttons will store the last strong station detected on the band.

After all stations have been filled, the radio will begin playing the station stored on memory button 1.

To deactivate the Auto Memory Store mode and return to the manually-set memory button stations (or those stations set using Auto Memory Load), simply push the "AUTO PRESET" button. Display will show "AUTO" then "OFF". The next time Auto Memory Store is activated on that band, the radio will store the next set of five strong stations.

Using the "AUDIO" button to adjust the tone balance and speaker output

■ Increasing or decreasing bass response

Push the "AUDIO" button repeatedly until the display reads "BASS." Push the "+" side of the "VOL" button to increase bass (more "lows"), and push the "-" side to decrease bass (less "lows").

■ Increasing or decreasing treble response

Push the “AUDIO” button repeatedly until the display reads “TREB.” Push the “+” side of the “VOL” button to increase treble (more “highs”), and push the “-” side to decrease treble (less “highs”).

■ Adjusting speaker balance

Balance control allows you to adjust the sound distribution between the right and left speakers. Push the “AUDIO” button repeatedly until the display reads “BAL.” Push the “+” side of the “VOL” button to shift the sound to the right speakers, and push the “-” side to shift the sound to the left speakers.

■ Adjusting speaker fader

Fade control allows you to adjust the sound distribution between the front and rear speakers. Push the “AUDIO” button repeatedly until the display reads “FADE.” Push the “+” side of the “VOL” button to shift the sound to the front speakers, and push the “-” side to shift the sound to the rear speakers.

NOTE: Illuminated bars in the display show relative levels of bass and treble and positions of speaker balance and fader functions for five seconds after adjustments are made, then revert to volume level set.

Clock operation

When in the radio mode, push the “CLOCK” button to switch from radio frequency to clock. Only the clock numerals will be displayed in the clock mode — there is no A.M./P.M. indication. When in the clock mode, the time will be displayed until the button is pushed again. However, if you retune the radio while it is in the clock mode, the new radio frequency will be displayed for approximately ten seconds and then change back to clock.

Electronic Sound Systems

When in the CD mode, push the “CLOCK” button to change the display from elapsed time mode to track number mode to clock mode. If the CD track selection is changed when you are in the clock or elapsed time mode, the new track number will be displayed for approximately ten seconds and then revert back to the previous mode.

To set the clock, simultaneously press the “CLOCK” button and either the bottom (◀) half of the “SEEK” button to set hours, or the top (▶) half of the “SEEK” button to set minutes.

NOTE: The clock can be set with the radio and/or ignition on or off.

Using the Controls on Your New Compact Disc Player

Your new Ford Compact Disc Player is capable of playing 12 cm or 8 cm discs, without an adapter! The Player operates when the power is on and a disc is inserted (**label side up**). Handle the disc by its edge only. (Be sure to read and follow all of the care and cleaning instructions under *How To Take Care of and Clean Your CD Player and Discs*.)

NOTE: If after you insert a disc, the disc is ejected and “ERROR” begins scrolling in the display, remove the disc and reinsert it right side up (label side up).

The digital display on your CD player will either show the track (selection) number or the elapsed time. (The display mode can be selected by pressing the “CLOCK” button.) Indicators for play (▶), stop (■) and compression on (“C”) are also in the display. (These features are described later.)

Once a disc is inserted, operation of the CD player will override that of the radio.

NOTE: The volume, bass, treble, balance and fader controls on the radio are also used with the CD player. Refer to earlier operating instructions on these controls.

How to insert a disc and begin play

Insert one disc, **label side up** into the disc opening. When inserted, the disc automatically loads into the unit and play starts at the beginning of the first track (selection).

When the disc reaches the end, the disc player automatically returns to the beginning of the disc and resumes playing.

NOTE: Once a disc is inserted, the disc opening is secured to prevent the accidental insertion of a second disc.

NOTE: The CD player has heat protection circuitry to protect the laser diode. If the temperature of the player reaches 167°F (75°C), the heat detection circuit will shut off the player and “TOO HOT” will scroll in the display for five seconds (radio will resume playing). When the temperature returns to normal operating range, the CD player will again be operational.

How to stop and restart the CD player

When a disc is loaded, the unit automatically enters the play mode and the play indicator ► illuminates. To stop temporarily, press the “PLAY/STOP” button or the “AM/FM” button. The stop indicator ■ in the display illuminates and operation returns to the radio mode. To resume CD play, press the “PLAY/STOP” button once again.

NOTE: If the ignition key is turned OFF during play and then is set to the ON or ACCESSORY position, the CD player will resume playing in the mode it was in when ignition was turned off.

Electronic Sound Systems

How to fast forward or reverse your CD player

To quickly search for a particular point in a selection, press the “FF” button (to fast forward) or the “REV” button (to reverse). While either button is pressed, the disc goes forward or backward at two different speeds depending on how long the button is held down. (Pressing either button for more than approximately three seconds will speed up the process.) Release the button at the desired point (found by watching the elapsed playing time in the display or by listening to the sound during fast forward or reverse). When you have reached the beginning of track 1, the CD player will begin playing.

When you have reached the end of the disc by keeping the fast forward button pressed, the display will show “END” and the player will go into pause mode. Push the “PLAY/STOP” button to begin playing the first track of the disc, press the “REV” button to back up from the end of the disc, or use the “SEEK” function to locate a desired track.

Using the “SEEK” feature

Press the top (▶) of the “SEEK” button once to repeat the current playing selection. Press the bottom (◀) of the “SEEK” button to advance to the next selection.

Pressing and holding the top (▶) or bottom (◀) of the “SEEK” button will scroll backward and forward respectively through the tracks.

Using the “SCAN” function

Press the “SCAN/TUNE” button to enter the scan mode. Once in the scan mode, press the top (▶) or bottom (◀) half of the “SEEK” button to scan forward or reverse, respectively. The CD player will begin scanning the disc, stopping on each listenable track for approximately eight seconds. This continues until you press the “SCAN/TUNE” button a second time. While in the scan mode, the display shows the current sampled track number.

Special features of your CD player

■ Compression

The compression feature will bring soft and loud passages closer together for a more consistent listening level.

To turn the compression on, press the “COMP” button. When on, the compression indicator (“C”) will appear in the display. Press the button again to turn off.

■ Automatic Disc Storage

If the disc is ejected from the CD player but is not removed from the disc opening within approximately 10 seconds, the player will automatically reload the disc for storage, unless the disc is automatically ejected due to a “focus error” (disc inserted upside down). In this case, the disc will not be automatically reloaded.

How to eject the disc

Push the “EJECT” button to stop play, eject the disc and resume radio operation of your audio system.

NOTE: You can eject the disc while the radio power and/or ignition is on or off.

How To Take Care of and Clean Your CD Player and Discs

To ensure the continued performance of your Ford Compact Disc Player, carefully read the following precautions:

- Always handle the disc by its edge. Never touch the playing surface.
- Before playing, inspect the disc for any contamination. If needed, clean the disc with an approved disc cleaner, such as the Discwasher® Compact Disc Cleaner or the Allsop 3® Compact Disc Cleaner, by wiping from the center out to the edges. **Do not use a circular motion to clean.**

Electronic Sound Systems

- Do not clean discs with solvents such as benzine, thinner, commercially available cleaners or antistatic spray intended for analog records.
- Do not expose the disc to direct sunlight or heat sources such as defroster and floor heating ducts. Do not leave any discs in a parked car in direct sunlight where there may be a considerable rise in temperature or damage may result.
- After playing, store the disc in its case.
- If a disc has already been inserted, do not try to insert another disc. Doing so may damage the disc player.
- Do not insert anything other than a disc into the disc player.

CAUTION: The use of optical instruments with this product will increase eye hazard as the laser beam used in this compact disc player is harmful to the eyes. Do not attempt to disassemble the case. Refer servicing to qualified personnel only.

Common Operating Conditions of Your CD Player

The following information is designed to help you recognize typical situations that could be mistakenly interpreted as mechanical malfunctions of the disc player.

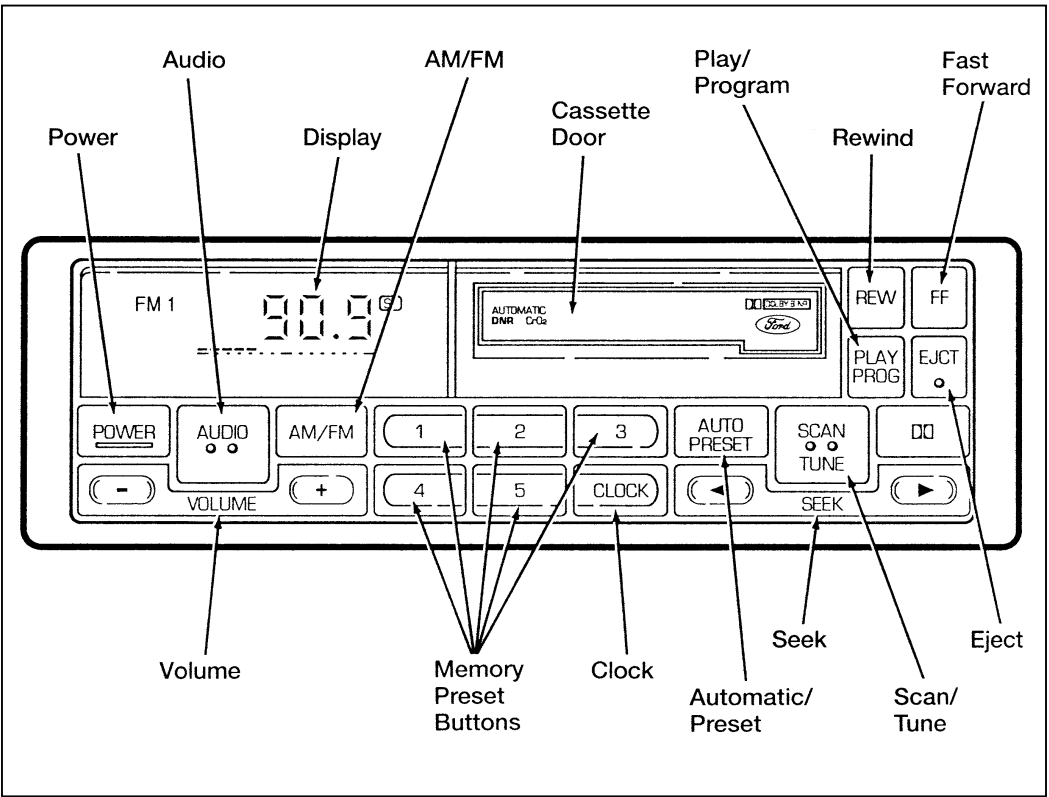
- A disc is already loaded.
- The disc is inserted with the label surface downward.
- The disc is dusty or defective.
- The player's internal temperature is above 167°F (75°C). Allow the player to cool off before operating.
- Different manufacturers of compact discs may produce discs with different dimensions or tolerances, some of which may not be within industry standards or in accordance with the CD format. Because of this, a new disc that is free of dust and scratches could be defective and may not play on your Ford Compact Disc Player.

If play does not begin after the CD button is pushed:

- The radio is not on.
- The unit is in the stop mode.
- Moisture may have condensed on the lenses within the unit. If this occurs, remove the disc and wait approximately an hour until the moisture evaporates.

If the sound skips:

- Badly scratched discs or extremely rough roads will cause the sound to skip. Skipping will not damage the disc player or scratch the discs.



High-Level Audio System

Ford's High-Level Audio System delivers quality performance for maximum listening enjoyment.

Using the Controls on Your New Radio

How to turn the radio on and off

Press the "POWER" button to turn the radio on. Press it again to turn it off.

How to adjust the volume

Press the (+/-) side of the "VOL" button to increase/decrease the volume. Bars illuminate in the display to show the relative volume level.

NOTE: If the volume level is set above a certain listening level when the ignition switch is turned off, when the ignition switch is turned back on, the volume will come back to a "nominal" listening level. However, if the radio power is turned off (with the "POWER" button), the volume will remain in the position it was set at when radio power is switched back on.

Selecting the AM or FM frequency band

Push the "AM/FM" button to select the desired frequency band. When in the radio mode, pushing the button more than once will alternate between AM, FM1 and FM2. These functions are used with the station memory buttons described under *How to Tune Radio Stations*.

Electronic Sound Systems

How to tune radio stations

There are four ways for you to tune in a particular station. You can manually locate the station using the “SCAN/TUNE” button, “SEEK” the station, “SCAN” to the station or select the station by using the memory buttons, which you can set to any desired frequency. These four methods are described below.

■ Using the “TUNE” function

You can change the frequency up or down one increment at a time (FM changes in increments of 200 kHz; AM changes in increments of 10 kHz) by first pressing the “SCAN/TUNE” button twice (display shows “TUNE”), then — **within approximately five seconds** — pressing and releasing either the right (▶) or left (◀) side of the “SEEK” button. To change frequencies quickly, press and **hold down** either the right or left side of the “SEEK” button.

Manual tuning adjusts your radio to any allowable broadcast frequency, whether or not a station is present on that frequency. (See *All About Radio Frequencies* in this section.)

■ Using the “SEEK” function

This feature on your radio allows you to automatically select listenable stations up or down the frequency band. Press the right (▶) side of the “SEEK” button to select the next listenable station up the frequency band. Press the left (◀) side of the button to select the next listenable station down the frequency band. By holding the button down, listenable stations can be passed over to reach the desired station.

■ Using the “SCAN” function

Pressing the “SCAN/TUNE” button once enters the scan mode (display will indicate “SCN”). Pushing the right (▶) side of the “SEEK” button will begin the scan mode up the frequency band, stopping on each listenable station for approximately a five-second sampling. Pushing the left (◀) side of the “SEEK” button will begin the scan mode down the frequency band, again stopping on each listenable station for approximately a five-second sampling.

To stop the scan mode on the presently sampled station press the “SCAN/TUNE” button again.

■ Setting the station MEMORY PRESET buttons

Your radio is equipped with 5 station memory buttons. These buttons can be used to select up to 5 preset AM stations and 10 preset FM stations (5 in FM1 and 5 in FM2).

Follow the easy steps below to set these buttons to the desired frequencies:

1. Select a band, then select a frequency.
2. Press one of the memory buttons and hold the button until the sound returns. That station is now held in memory on that button.
3. Follow the two steps above for each station memory preset button you want to set.

Electronic Sound Systems

■ Using the Automatic Memory Load feature

NOTE: If no stations are in memory presets, you can activate the feature by pressing and holding the “AUTO PRESET” button for approximately three seconds. Auto Memory Load sets all memory buttons in AM, FM1 and FM2 sequentially by seeking out the first five strong stations for the respective band and storing them in memory buttons 1-5. (FM2 will store the second set of strong stations from the FM band.)

With Auto Memory Store, you can continually set strong stations into your memory buttons without losing your existing memory presets, which is especially handy while traveling. Your radio will automatically set your memory buttons to the strong local stations so you don't have to continually manually tune to existing stations.

Activate Auto Memory Store by pushing the “AUTO PRESET” button once. Your radio will set the first five strong stations of the band you are in (AM, FM1 or FM2) into the memory buttons. The display will show “AUTO”, then run through the frequencies, stopping momentarily on the stations being set into the memory buttons. The radio is now in the “AUTO” mode for the selected band and this display will show “AUTO” each time a preset is activated.

NOTE: If there are fewer than five strong stations in the frequency band, the remaining unfilled buttons will store the last strong station detected on the band.

After all stations have been filled, the radio will begin playing the station stored on memory button 1.

To deactivate the Auto Memory Store mode and return to the manually-set memory button stations (or those stations set using Auto Memory Load), simply push the “AUTO PRESET” button. Display will show “AUTO” then “OFF”. The next time Auto Memory Store is activated on that band, the radio will store the next set of five strong stations.

Adjusting the tone balance and speaker output of your radio

■ Increasing or decreasing bass response

Push the “AUDIO” button repeatedly until the display reads “BASS.” Push the “+” side of the “VOL” button to increase bass (more “lows”), and push the “-” side to decrease bass (less “lows”).

■ Increasing or decreasing treble response

Push the “AUDIO” button repeatedly until the display reads “TREB.” Push the “+” side of the “VOL” button to increase treble (more “highs”), and push the “-” side to decrease treble (less “highs”).

■ Adjusting speaker balance

Balance control allows you to adjust the sound distribution between the right and left speakers. Push the “AUDIO” button repeatedly until the display reads “BAL.” Push the “+” side of the “VOL” button to shift the sound to the right speakers, and push the “-” side to shift the sound to the left speakers.

■ Adjusting speaker fader

Fade control allows you to adjust the sound distribution between the front and rear speakers. Push the “AUDIO” button repeatedly until the display reads “FADE.” Push the “+” side of the “VOL” button to shift the sound to the front speakers, and push the “-” side to shift the sound to the rear speakers.

Electronic Sound Systems

NOTE: Illuminated bars in the display show relative levels of bass and treble and positions of speaker balance and fader functions for five seconds after adjustments are made, then revert to volume level set.

Using the Controls of Your Cassette Tape Player

How to insert a tape

Your cassette tape player is equipped with power loading. Once you insert a tape and push slightly (with the **open edge to the right**), the loading mechanism draws the tape the rest of the way in and play will begin after a momentary tape tightening process. Display indicates “M” (for metal/CrO₂) while tape is playing.

There are four ways to quickly locate a desired selection on the tape. You can use the fast forward, rewind, “SEEK” or “SCAN” function. Following are brief descriptions of each.

■ Fast forwarding the tape

To fast forward the tape, press the “FF” button. The radio will automatically begin playing until fast forward is manually stopped. At the end of the tape, the direction automatically reverses and plays the other side of the tape.

■ Rewinding the tape

To rewind the tape, press the “REW” button.

■ How to change the track of the tape being played

The alternate track of the tape can be selected anytime by pressing the “PLAY/PROG” button.

■ Using the “SEEK” function with your cassette tape player

While in the tape mode, push the right (▶) side of the “SEEK” button to seek forward to the next selection on the tape. Push the left (◀) side to seek the previous tape selection.

NOTE: If you want to restart a currently playing tape selection, press the left (◀) side of the “SEEK” button after three seconds into the current selection.

Whirling sprockets in the display (⊖⊖) indicate the direction of tape travel.

■ Using the “SCAN” function with your cassette tape player

Press the “SCAN/TUNE” button to enter the scan mode (display indicates “SCN”). Pushing the right (▶) side of the “SEEK” button will begin the forward scan mode on the tape currently playing, stopping on each tape selection for approximately an eight-second sampling.

Pushing the left (◀) side of the “SEEK” button will begin the reverse scan mode, stopping on each previous tape selection for approximately an eight-second sampling. While scanning, the display indicates whirling sprockets plus an “S” (⊖⊖ S).

To stop the scan mode on the presently sampled tape selection press the “SCAN/TUNE” button again.

How to eject the tape

To stop the tape and eject the cassette, press the “EJECT” button. The radio will resume playing if the radio power is on. The tape cartridge can be ejected with radio power (and/or ignition) on or off.



How to store the tape

Press the “AM/FM” button to stop the tape player and resume radio play. The cassette will be stored in the tape player and the ■ symbol in the display will be lit until you push the “PLAY PROG” button to resume tape play. Fast forward and fast rewind can be used while the tape is in storage mode without interrupting radio play.

Electronic Sound Systems

Using the Dolby® B noise reduction feature

Dolby® is a Registered Trademark of Dolby Laboratories Licensing Corp.

Push the  button to activate. When on, the  symbol above the button will be lit.

Tips on Caring for the Cassette Player and Tapes

In order to keep your cassette tape player performing the way it was meant to, read and follow these simple precautions:

- Using a Ford Cassette Cleaning Cartridge to clean the tape player head after 10-12 hours of play will help maintain the best playback sound and proper tape operation.
- Only cassettes that are 90 minutes long or less should be used. Tapes longer than 90 minutes are thinner and subject to breakage or may jam the tape player mechanism.
- Protect cassettes from exposure to direct sunlight, high humidity and extreme heat or cold. If they are exposed to extreme conditions, allow them to reach a moderate temperature before playing.
- If a tape is loose inside the cassette, tighten it before playing by putting your finger or a pencil into one of the holes and turning the hub until the tape is tight.
- Loose labels on cassette tapes can become lodged in the mechanism. Remove any loose label material before inserting a cassette.
- Do not leave a tape in the cassette tape player when not in use. High heat in the vehicle can cause the cassette to warp.

Tape error messages

Your cassette tape player is equipped to diagnose certain problems you may experience. Error codes are as follows:

Error 0 — Communication error between the radio controller and the tape controller. The cassette player will eject the tape. Insert the tape again. If the same error code appears, turn the ignition off, then back on again and insert the tape.

Error 1 — Possible problem cartridge. The cassette tape player will eject the tape. Insert the tape again. If the same error code appears in the display, try a different cartridge.

Error 2 — Tape eject or load failure. Your cassette tape player will go into the pause mode. Push “EJECT” to eject the tape. If the tape doesn’t eject, refer the problem to qualified personnel for service.

Clock Operation

How to view the clock mode

Press the “CLOCK” button to alternate the frequency and time in the display. In the clock mode, pressing any radio function will automatically display the radio frequency for approximately ten seconds before changing back to the clock mode.

How to set the clock

Press and hold in the “CLOCK” button, press the “SEEK” button left (◀) to advance the hours and right (▶) to advance the minutes.

NOTE: The clock displays 12-hour time with no AM/PM indications.

NOTE: On the High-Level Audio System, the clock can be set with the radio power on or off.

Electronic Sound Systems

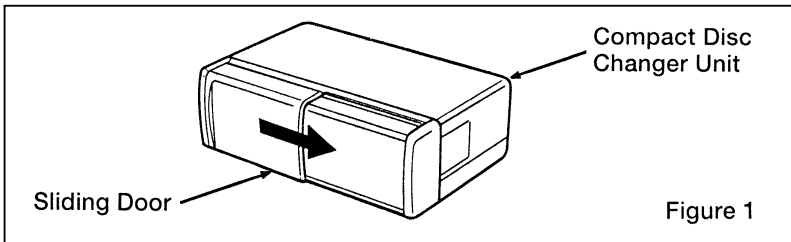
NOTE: In order to maintain the performance of your cassette stereo system, refer to “Tips on Caring for the Cassette Player and Tapes” later in this chapter.

The Ford 10-CD Changer System

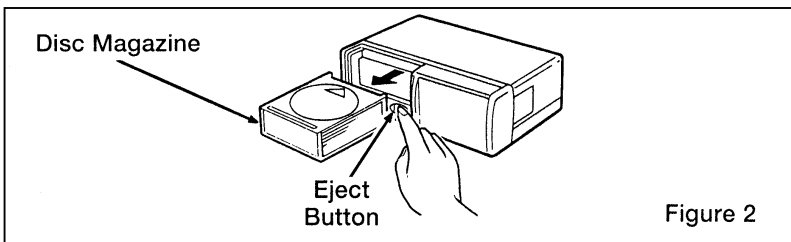
The Ford 10-CD Changer is mounted in your center floor console and holds 10 CDs, all controlled by using the buttons on your High-Level Audio System.

Center Floor Console Loading Instructions

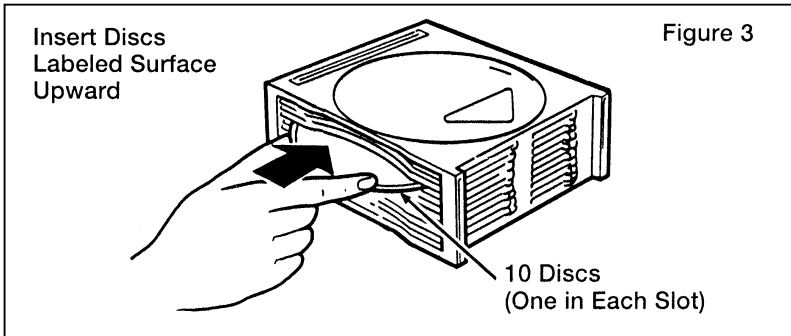
1. Open Compact Disc Changer center floor console unit by sliding door to the right (Figure 1).



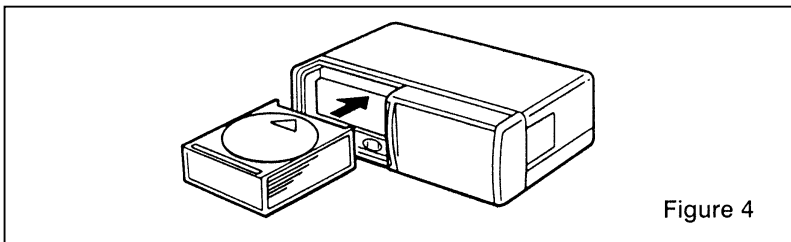
2. Push “EJECT” button to eject the disc “magazine” (holds 10 discs) (Figure 2).



-
3. Load discs into disc magazine slots (numbered 1 through 10) one at a time with labeled surfaces upward, starting with bottom slot number 1 (Figure 3).



4. Insert loaded disc magazine into chamber unit with the arrow on top of the disc magazine pointing toward the changer (Figure 4). **Make sure magazine is fully inserted into changer.**



NOTE: To remove one or more compact disc(s) from the disc magazine, push the corresponding lever(s) (numbered 1 to 10 on the side of the disc magazine) to the left. Disc(s) will partially come out for easy removal.

Electronic Sound Systems

5. Close unit by sliding changer panel door to the left.

The Compact Disc Changer center floor console unit is now ready to play using the controls of your High-Level Audio System.

How to Operate the Ford 10-CD Changer Using the Controls on the Radio

If your vehicle is equipped with the Ford 10-CD Changer System, you can operate it through the controls of your High-Level Audio System.

Several of the controls on the radio operate in the same manner in CD mode as they do in radio or cassette mode: turning the power on, volume control and adjusting the bass, treble, speaker balance or fade.

How to begin CD Changer play

NOTE: Radio power must be on to operate the Compact Disc Changer.

Push the "PLAY PROG" button to begin CD play. (The radio will revert to the CD mode when "PLAY PROG" button is pushed and there is no cassette stored or playing in the cassette deck.) The 10-CD Changer will automatically begin playing the first track (selection) of the first disc loaded in the trunk unit. The display will indicate "CD-##" for track number. Three seconds after displaying "TR-##", the display will indicate "##-##" (CD number-Track number).

How to change the disc being played

When in the CD mode, you can change discs by pressing the "FF" button (to select the next discs) or the "REW" button (to select previous discs). Play will begin on the first track of the selected disc.

If either button is pressed and held, the CD Changer will continue fast-forwarding or reversing through the discs in the disc magazine. During these functions, the display will indicate the disc number.


How to change the track being played

Press the right ► side of the “SEEK” button to seek forward to the next track of current disc. If the button is held and the last track is reached, the disc changer will automatically begin playing the last track of the current disc. After the last track has been completed, the disc changer advances to the next disc and begins play of track 1. The display indicates the track number while seeking.

Press the left ◀ side of the “SEEK” button to seek in reverse to the previous track on the current disc. If a selection has been playing for three seconds or more and you press the left ◀ side of the “SEEK” button, the CD Changer will replay that selection from the beginning.

Operating the CD Compression feature

The compression feature will bring soft and loud passages closer together for a more consistent listening level.

To turn the compression on, press the Dolby B noise reduction  button. (While in the CD Changer mode, the Dolby button controls the compression function.) When the compression feature is activated, the display will indicate “C”.

How to stop CD play

While in the CD Changer mode, press the “EJECT” button to stop CD play and resume radio play. Also, loading a cassette into the cassette deck will stop CD play and begin cassette play.

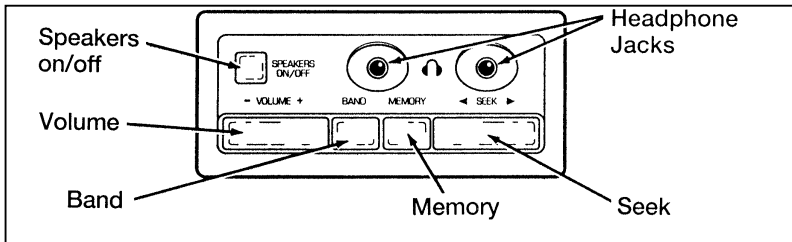
Electronic Sound Systems

Rear Seat Radio Controls

Using the Rear Seat Radio Controls

Rear seat radio controls are standard equipment on all models.

The rear seat radio controls are located behind the driver on the left hand side of the vehicle. These controls duplicate several radio functions of the radio and allow the use of headphones in the vehicle.



Rear Seat Radio Controls

How to turn the rear seat radio controls on and off

Press memory preset buttons “1” and “3” simultaneously on the face of your radio to turn the rear seat radio controls on. A headphones symbol (🎧) will appear in the display when the rear seat controls are on. Press “1” and “3” simultaneously again to turn rear seat radio controls off.

How to adjust the volume

Press the right (+) side of the “VOLUME” rocker switch to increase volume, and push the left (-) side to decrease the volume of the rear speakers.

NOTE: Rear seat control volume can be set no higher than current radio setting unless speakers are turned off. See note under *How to turn speakers on and off*.

Setting the AM or FM frequency band

Push the “BAND” button to change the frequency band.

Using the “MEMORY” button

Push the “MEMORY” button to access the station you have set into memory button 1 on the face of the radio. Successively pushing this button will access, numerically, all stations set into the Station Memory Preset buttons (1 through 5).

How to turn the speakers on and off

When the rear seat controls are on, push the “SPKRS ON-OFF” button to turn all speakers off. Push again to turn all speakers on.

NOTE: Turning the ignition off, then on again will not turn the speakers back on, if previously turned off by the “SPKRS ON-OFF” button on the rear seat controls.

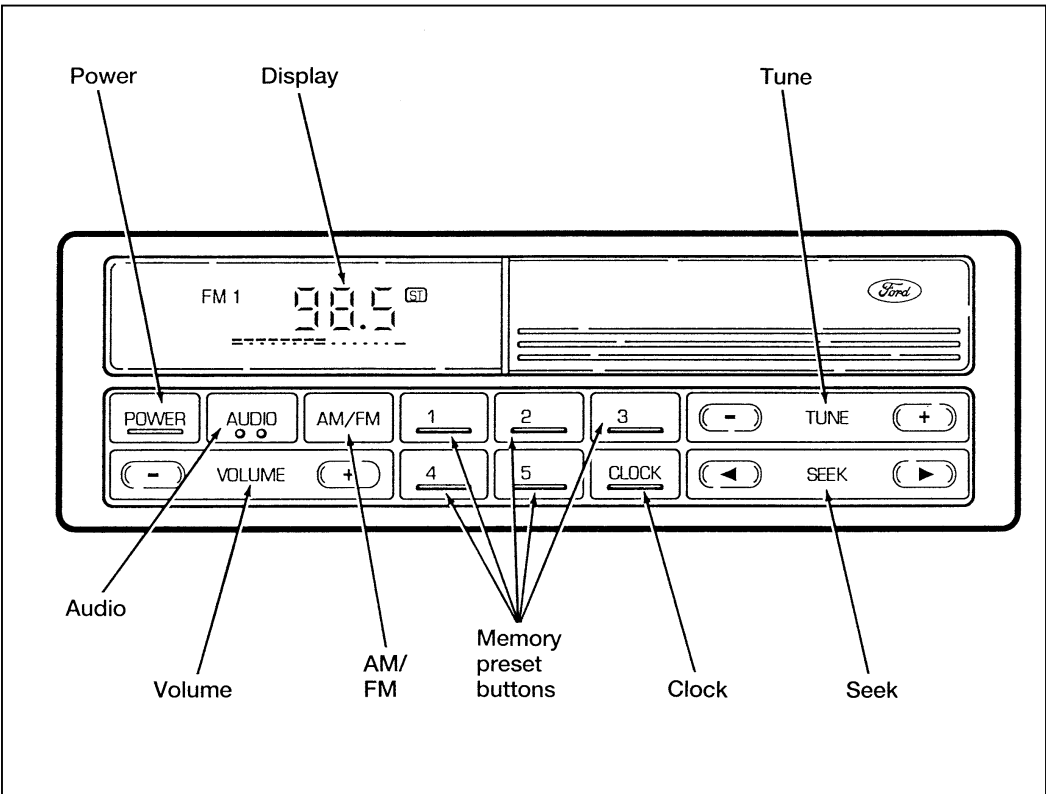
Using the “SEEK” function

Press the right (▶) side of the “SEEK” rocker switch to seek to the next radio station. Press the left (◀) side of the “SEEK” rocker switch to seek to the previous radio station.

NOTE: When using the rear seat controls with a High-Level Audio System, the “SEEK” function on the rear seat controls will also function with cassettes, seeking the next (“SEEK ▶”) or previous (“◀ SEEK”) selection on the tape.

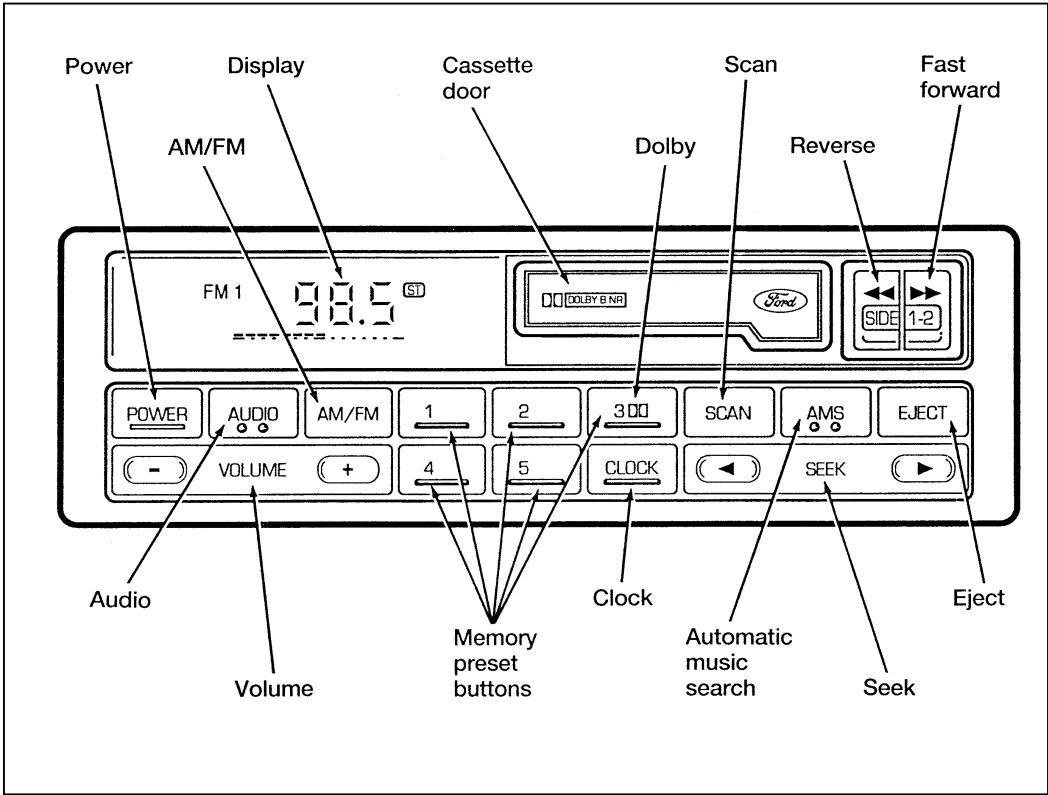
Using headphones with the rear seat controls

Two 3.5mm headphone jacks have been provided on the rear seat controls. Plug headphone(s) into the provided jack(s) to operate headphones.



Electronic Stereo Radio

Electronic Stereo Radio with Cassette



Electronic Sound Systems

Electronic Stereo and Stereo Cassette Radios

Using the Controls on Your New Radio

How to turn the radio on and adjust the volume

Press the “POWER” button to turn the radio on. Press it again to turn it off.

Press the right (+) side of the “VOLUME” button to increase the volume. Press the left (-) side of the button to decrease the volume. Illuminated bars in the display show the relative volume level.

NOTE: If the volume level is set above a certain listening level when the ignition switch is turned off, when the ignition switch is turned back on, the volume will come back to a “nominal” listening level. However, if the radio power is turned off (with the “POWER” button), the volume will remain in the position it was set at when radio power is switched back on.

Selecting the AM or FM frequency band

Push the “AM/FM” button to select the desired frequency band. Pushing the button more than once will alternate between AM, FM1 and FM2. These functions are used with the station memory buttons described under *How to tune radio stations*.

How to tune radio stations (Stereo Radio)

There are three ways for you to tune in to a particular station. You can manually locate the station by using the “TUNE” button, “SEEK” the station or select the station by using the memory buttons, which you can set to any desired frequency.

How to tune radio stations (Stereo Cassette Radio)

There are four ways for you to tune in to a particular station. You can manually locate the station by using Automatic Music Search (“AMS”), “SEEK” the station, “SCAN” to the station or select the station by using the memory buttons, which you can set to any desired frequency.

■ Using the “TUNE” function

Manual tuning adjusts your radio to any allowable broadcast frequency, whether or not a station is present on that frequency. (See *All About Radio Frequencies* in this section.)

■ Using the “AMS” function to manually tune your radio (Stereo Cassette Radio)

You can change the frequency up or down one increment at a time by first pressing the “AMS” button (display shows “TUNE”) then within approximately five seconds pressing and releasing either the right (▶) or left (◀) side of the “SEEK” button. To change frequencies quickly, press and **hold down** either the right or left side of the “SEEK” button.

Manual tuning adjusts your radio to any allowable broadcast frequency, whether or not a station is present on that frequency. (See *All About Radio Frequencies* in this section.)

■ Using the “SEEK” function

This feature on your radio allows you to automatically select listenable stations up or down the frequency band. Press the right (▶) side of the “SEEK” button to select the next listenable station up the frequency band. Press the left (◀) side of the button to select the next listenable station down the frequency band. By holding the button down, listenable stations can be passed over to reach the desired station.

Electronic Sound Systems

■ Using the “SCAN” function (Stereo Cassette Radio)

Press the “SCAN” button to enter the scan mode. The radio will begin scanning up the frequency band, stopping on each listenable station for approximately a five-second sampling. This continues until you press the “SCAN” button a second time. The display flashes “AM” or “FM.”

■ Setting the station MEMORY PRESET buttons

Your radio is equipped with 5 station memory buttons. These buttons can be used to select up to 5 preset AM stations and 10 preset FM stations (5 in FM1 and 5 in FM2).

Follow the easy steps below to set these buttons to the desired frequencies:

1. Select a band, then select a frequency.
2. Press one of the memory buttons and hold the button until the sound returns. That station is now held in memory on that button.
3. Follow the two steps above for each station memory preset button you want to set.

NOTE: If the vehicle’s battery is disconnected, the clock and station memory preset buttons (if programmed in auto mode) will need to be reset.

Adjusting the tone balance and speaker output of your radio

■ Increasing or decreasing bass response

Push the “AUDIO” button repeatedly until the display reads “BASS.” Push the right (+) side of the “VOLUME” button to increase bass (more “lows”), and push the left (-) side to decrease bass (less “lows”).

- Increasing or decreasing treble response

Push the “AUDIO” button repeatedly until the display reads “TREB.” Push the right (+) side of the “VOLUME” button to increase the treble (more “highs”), and push the left (-) side to decrease treble (less “highs”).

Speaker features and operation

- Adjusting speaker balance

Balance control allows you to adjust the sound distribution between the right and left speakers. Push the “AUDIO” button repeatedly until the display reads “BAL.” Push the right (+) side of the “VOLUME” button to shift the sound to the right speakers, and push the left (-) side to shift the sound to the left speakers.

- Adjusting speaker fader

Fade control allows you to adjust the sound distribution between the front and rear speakers. Push the “AUDIO” button repeatedly until the display reads “FADE.” Push the right (+) side of the “VOLUME” button to shift the sound to the front speakers, and push the left (-) side to shift the sound to the rear speakers.

NOTE: Illuminated bars in the display show relative levels of bass and treble and positions of speaker balance and fader functions for five seconds after adjustments are made, then revert to volume level set.

Using the Controls of Your Cassette Tape Player

How to insert a tape

Insert a cassette (with the **open edge to the right**) firmly into the tape door opening, making sure the cassette is completely in and “seated.”

Electronic Sound Systems

How to locate a desired track on the tape

NOTE: The tape track number indicated in the display does not necessarily correspond to the tape track or side number on the cassette label. It is used only to indicate when the tape mechanism reverses tracks.

Using the Automatic Music Search (“AMS”) function with cassette tape player (if your display shows numerals)

Press and hold the “AMS” button (“AMS” will appear in the display). Then, push the left (◀◀) button to rewind to the beginning of the current selection or press the right (▶▶) button to fast forward to the beginning of the next selection.

■ Fast forwarding the tape

Push the right (▶▶) button to fast forward the tape.

■ Rewinding the tape

Push the left (◀◀) button to rewind the tape.

Using the Automatic Music Search (“AMS”) function with cassette tape player (if your display shows arrows)

Press and hold the “AMS” button. Then, push the appropriate fast-wind button, depending upon the direction of the tape travel arrow in the display. For example, if the tape travel arrow is pointing to the left, push the right (▶▶) button to rewind to the beginning of the current selection. If the tape travel arrow is pointing to the right, press the right (▶▶) button to fast forward to the beginning of the next selection.

Fast forwarding the tape (if your display shows arrows)

To fast forward the tape, press the fast-wind button with the arrows pointing in the same direction as indicated in the display. For example, if the tape travel arrow in the display is pointing to the left, press the left (◀◀) button to fast forward the tape. To return to the play mode, press the opposite fast-wind button momentarily, until fast forward stops.

■ Rewinding the tape (if your display shows arrows)

To rewind the tape, press the fast-wind button with the arrows pointing in the opposite direction as indicated in the display. For example, if the tape travel arrow in the display is pointing to the left, press the right (▶▶) button to rewind the tape. To return to the play mode, press the opposite fast-wind button momentarily, until rewind stops.

■ How to change the side of the tape being played

The alternate track (other side) of the tape can be selected at any time by pushing both fast-wind buttons (◀◀ and ▶▶) at the same time.

How to eject the tape

To stop the tape and eject the cassette, press the “EJECT” button. The radio will resume playing.

Using the Dolby® B noise reduction feature

NOTE: Noise reduction system manufactured under license from Dolby Labs Licensing Corporation. “Dolby” and double-D symbol are trademarks of Dolby Laboratories Licensing Corporation.

Push station memory button 3 to activate Dolby® B Noise Reduction.

Electronic Sound Systems

Tips on Caring for the Cassette Player and Tapes

In order to keep your cassette tape player performing the way it was meant to, read and follow these simple precautions:

- Using a Ford Cassette Cleaning Cartridge to clean the tape player head after 10-12 hours of play will help maintain the best playback sound and proper tape operation.
- Only cassettes that are 90 minutes long or less should be used. Tapes longer than 90 minutes are thinner and subject to breakage or may jam the tape player mechanism.
- Protect cassettes from exposure to direct sunlight, high humidity and extreme heat or cold. If they are exposed to extreme conditions, allow them to reach a moderate temperature before playing.
- If a tape is loose inside the cassette, tighten it before playing by putting your finger or a pencil into one of the holes and turning the hub until the tape is tight.
- Loose labels on cassette tapes can become lodged in the mechanism. Remove any loose label material before inserting a cassette.
- Do not leave a tape in the cassette tape player when not in use. High heat in the vehicle can cause the cassette to warp.

Clock Operation

How to view the clock mode

Press the "CLOCK" button to alternate the frequency and time in the display. In the clock mode, pressing any radio function will automatically display the radio frequency for approximately ten seconds before changing back to the clock mode.

How to set the clock

1. Turn the radio on.
2. Press and hold in the “CLOCK” button, press the “SEEK” button left (◀) to advance the hours and right (▶) to advance the minutes.

NOTE: The clock displays 12-hour time with no AM/PM indications.

Common Radio Reception Conditions

Several conditions prevent FM reception from being completely clear and noise-free, such as the following:

1. Distance/Strength

The strength of the FM signal is directly related to the distance the signal must travel. The listenable range of an average FM signal is approximately 25 miles (40 kilometers). Beyond this distance, the radio is operating in a fringe area and the signal becomes weaker.

2. Terrain

The terrain (hilly, mountainous, tall buildings) of the area over which the signal travels may prevent the FM signal from being noise-free.

If there is a building or large structure between the antenna and station, some of the signal “bends” around the building, but certain spots receive almost no signal. Moving out of the “shadow” of the structure will allow the station to return to normal.

When the radio waves are reflected off objects or structures, the reflected signal cancels the normal signal, causing the antenna to pick up noise and distortion. Cancellation effects are most prominent in metropolitan areas, but also can become quite severe in hilly terrain and depressed roadways.

Electronic Sound Systems

To minimize these conditions, a stereo/mono blend circuit has been incorporated into this system. This feature automatically switches a weak stereo signal to a clearer monaural signal, which improves the quality of reception.

Several sources of static are normal conditions on AM frequencies. These can be caused by power lines, electric fences, traffic lights and thunderstorms.

Another reception phenomenon is **Strong Signal Capture and Overload**. This can occur when listening to a weak station and when passing another broadcast tower. The close station may capture the more distant station, although the displayed frequency does not change. While passing the tower, the station may switch back and forth a few times before returning to the original station.

When several broadcast towers are present (common in metropolitan areas) several stations may overload the receiver, resulting in considerable station changing, mixing and distortion.

Automatic gain control circuitry for both AM and FM bands has been incorporated into this system to reduce strong signal capture and overload.

All About Radio Frequencies

The Federal Communications Commission (FCC) and the Canadian Radio Telecommunications Commission (CRTC) establish the frequencies AM and FM radio stations may use for their broadcasts. The allowable frequencies are, AM: 530, 540...1600, 1610 kHz in 10 kHz steps; FM: 87.9, 88.1...107.7, 107.9 MHz in 0.2 MHz steps.

Not all frequencies will be assigned to a given area. This radio will tune to each of these frequencies using manual tune and no fine tuning is necessary as radio stations may not use other frequencies.

Some FM radio stations advertise a “rounded-off” frequency which is not the frequency they actually broadcast on. For example, a radio station that is assigned a frequency of 98.7 MHz may call itself “Radio 99” even though 99.0 MHz is not an allowable FM broadcast frequency.

Important Warranty and Service Information

■ Warranty

Your sound system is warranted for three years/36,000 miles (60,000 km). Consult your vehicle warranty booklet for further information.

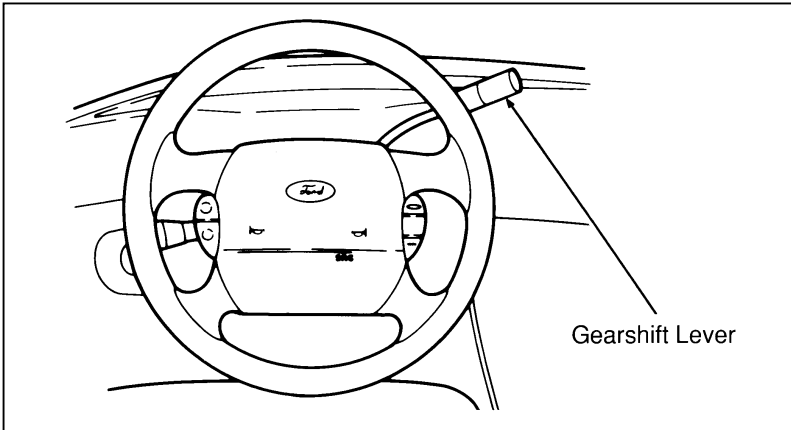
■ Service

At Ford Electronics, we stand behind our audio systems with a comprehensive service and repair program. If anything should go wrong with your Ford audio system, return to your dealer for service. There is a nationwide network of qualified Ford authorized repair centers to assist you.

Automatic Transaxle Operation

Putting Your Vehicle in Gear

Your vehicle's gearshift lever is on the steering column. The OVERDRIVE ON/OFF button is located on the end of the gearshift lever. You can put the gearshift lever in any one of several positions.



The steering column gearshift

⚠ WARNING

Hold the brake pedal down while you move the gearshift lever from position to position. If you do not hold the brake pedal down, your vehicle may move unexpectedly and injure someone.

Once you place the gearshift lever securely into position, gradually release the brake pedal and use the accelerator as necessary.

Brake-Shift Interlock Safety Feature

Your vehicle has a special brake-shift interlock safety feature which prevents you from shifting out of P (Park) without the brake pedal depressed. To shift the transaxle out of the P (Park) position, the ignition must be in the ON position and your foot must be pressing on the brake pedal.

When parking on a hill, set the parking brake before shifting into and out of P (Park). If the parking brake is not set, a clunk or bang may be heard when shifting out of P (Park). This noise can be considered a normal characteristic.

If the shift lever cannot be moved from the P (Park) position with the brake pedal depressed:

1. Shut the engine off and remove the ignition key.
2. Apply the parking brake.
3. Reinsert the ignition key and turn it clockwise to the first position (OFF).
4. Depress the brake pedal, move the gearshift lever to N (Neutral) and start the engine.

If you need to shift out of P (Park) by using the alternate procedure described above, it is possible that a fuse has blown and that your brakelamps may also not be functional. Please refer to the chapter titled *Servicing Your Windstar* in this Owner Guide for instructions on checking and replacing fuses.

| |
|---|
|  WARNING |
|---|

| |
|--|
| DO NOT DRIVE YOUR VEHICLE UNTIL YOU VERIFY THAT THE BRAKELAMPS ARE WORKING. |
|--|

Backing Up

Before shifting into or out of R (Reverse), you should always come to a complete stop.


Driving Your Windstar

Driving

When to use N (Neutral)

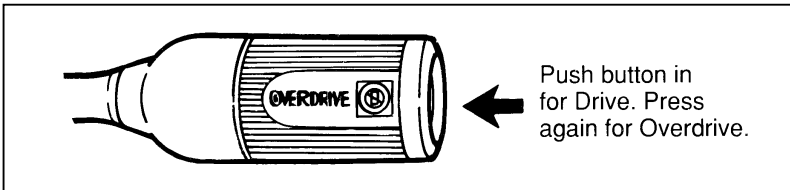
In N (Neutral), the wheels of the transaxle are not locked. Your vehicle will roll freely, even on the slightest incline, unless the parking brake or brakes are on.

When to use Overdrive

Overdrive is the normal driving position. When the gearshift lever is placed in  Overdrive, and the Overdrive Off button has not been pressed, the vehicle will automatically upshift to second, third and fourth gears. The transaxle will shift into the correct gear when the right speed is reached.

When to use D (Drive) - with the Overdrive Off button activated

You will notice that there is only one drive position on your gearshift indicator (instead of Drive and Overdrive). However, you will find a button and an indicator light located on the gearshift lever. Push in the button on the end of the lever and the OVERDRIVE OFF light on the end of the gearshift lever will illuminate. With the OVERDRIVE OFF light illuminated, the transaxle will operate in first, second and third gears and will not shift into fourth gear. Operating in Drive (OVERDRIVE OFF light illuminated) provides more engine braking than Overdrive for descending hills or city driving.



Overdrive button location

To return the transaxle to the normal Overdrive operation, press the OVERDRIVE ON/OFF button again. Use this button to select Overdrive or Overdrive Off whenever you drive your vehicle.

The transaxle will be in the “overdrive on” mode when the vehicle is started even if the O/D OFF mode was selected when the vehicle was last shut off.

NOTE: If the O/D OFF indicator light is flashing on and off repeatedly when the vehicle is started, there is a transaxle electronic system malfunction. Contact your dealer as soon as possible.

When to use 2 (Second)

Use 2 (Second) when driving on slippery roads or to provide additional engine braking on downgrades. This position provides Second and First gear operation only.

When to use 1 (First)

Use 1 (First) to provide maximum engine braking on steep downgrades. Upshifts from First can be made by manually shifting to 2 (Second) or **D** (Overdrive). 1 (First) gear provides only first gear operation. If you select First while driving at higher speeds, the transaxle will shift to 2 (Second), and then downshift to 1 (First) after the vehicle decelerates to the proper speed.

Parking

Always come to a complete stop before you shift into P (Park). This position locks the transaxle and prevents the front wheels from turning. To securely latch the gearshift in the P (Park) position, pull it toward you, push it completely counterclockwise against the stop, and then push it toward the instrument panel.

Driving Your Windstar

The gearshift is securely latched in P (Park) if you can not rotate it in a clockwise direction without pulling it toward you.

| |
|------------------|
| ⚠ WARNING |
|------------------|

| |
|---|
| Always set the parking brake fully and make sure that the gearshift is securely latched in P (Park). |
|---|

| |
|------------------|
| ⚠ WARNING |
|------------------|

| |
|---|
| Never leave your vehicle unattended while it is running. |
|---|

| |
|------------------|
| ⚠ WARNING |
|------------------|

| |
|---|
| Never leave your vehicle unattended while it is running. |
|---|

Forced Downshifts

To gain extra acceleration in **D** (Overdrive) (when passing another vehicle) push the accelerator to the floor. The transaxle will automatically downshift to the appropriate gear (third, second or first).

Traction Control (If equipped)

Traction Control can help improve your traction on slippery surfaces, but always operate your vehicle within reasonable limits. Abrupt changes in acceleration, deceleration, turning, or combinations of these maneuvers can cause your vehicle to behave differently than anticipated, especially when road conditions vary.

To turn Traction Control off, press the button located in the glove compartment while the vehicle is stopped.

Traction Control can be turned back on by pressing the button again while the vehicle is stopped or by restarting the engine.

Steering Your Vehicle

Your vehicle has power steering. Power steering uses energy from the engine to help steer your vehicle.

Never hold the steering wheel in the extreme right or left position for more than five seconds if the engine is running. This can damage the power steering pump.

If the amount of effort needed to steer your vehicle changes at a constant vehicle speed, have the power steering system checked. If the power steering system breaks down (or if the engine is turned off), you can steer the vehicle manually but it takes more effort.

NOTE: After any severe impact such as striking large potholes, sliding into curbs on icy roads, or a collision involving the front end, have the front suspension and steering checked for possible damage.

Brakes

When the foot (service) brake pedal is depressed, the high-mount brake lamp should illuminate.

Front Disc Brakes

The front disc brakes are self-adjusting. They only require periodic inspection for pad wear.

Rear Disc Brakes (If equipped)

The rear disc brakes are self-adjusting. They only require periodic inspection for pad wear.

The rear disc parking brakes need to be adjusted manually.

Rear Drum Brakes

The rear drum brakes are self-adjusting. Automatic adjustment occurs through normal use of the brakes.

Four-Wheel Anti-lock Brakes

The Anti-lock Brake System (ABS) prevents wheels from completely locking up by automatically releasing and re-applying the brakes. During ABS braking, slight brake pedal pulsations may be felt on the driver's foot. These pulsations represent the rapid cycling of the ABS valves. The pedal pulsations are considered normal ABS operation, and will stop when normal braking is resumed or when the vehicle comes to a stop.

During ABS activation, a mechanical noise may be heard as the ABS system cycles. This is normal ABS operation.

The ABS system has self-check capabilities. The system turns on the ABS warning light each time you start the engine. After the engine is started and the ABS warning light turns off, the system performs another test the first time the vehicle reaches 4 mph (6 km/h). A mechanical noise may be heard as the ABS system performs a self test. This is a normal part of the self test feature. If a malfunction is found during this check, the ABS warning light will come on.



The anti-lock brake system light

You should always be careful when braking, even if your vehicle has the ABS system. Heavy braking on roads with loose surfaces such as snow or gravel, or roads with severe pavement irregularities could also cause you to lose control of your vehicle.

⚠ WARNING

If the anti-lock brake system warning light remains on or comes on while driving, have the braking system checked by a qualified service technician as soon as possible.

NOTE: If a fault occurs in the anti-lock system, and the brake warning light is not lit, the anti-lock system is disabled but normal brake function remains operational.

Ford Motor Company has not found any negative effects of mobile radio transmitting equipment installed on vehicles with the ABS system providing that the radio is installed according to the radio manufacturer's instructions. However, if you have had a mobile radio transmitter installed and the check ABS light comes on (at any time other than immediately after turning the key to the ON position) have your mobile radio dealer inspect the radio installation. Also, if the ABS system is activated other than during maximum braking, have your mobile radio installation checked.

If Brakes Do Not Grip Well or Pedal is “Low”

If the brake pedal seems “low” it may indicate the need for a brake system inspection and/or service. Apply your parking brake several times. If the condition has not improved, you should have your brakes checked as soon as possible.

Occasional brake squeal during light to moderate stops does not affect the function of the brake system and is normal. However, if the squeal becomes very loud or if it becomes more frequent, return the vehicle to your dealer for inspection.

Driving Your Windstar

WARNING

Modifications to the suspension spring rates and/or vehicle ride height may adversely affect vehicle stopping ability.

Stopping Distances

Stopping distances vary with different loads and driving conditions. Use caution when you drive under new conditions and acquaint yourself with your vehicle's performance.

Applying the Brakes

Apply the brake pedal evenly. Use the “squeeze” technique. Push on the brake pedal with a steadily increasing force. This allows the wheels to continue to roll while you are slowing down, which lets you steer properly.

WARNING

Do not drive with your foot resting on the brake pedal. This will increase your vehicle's stopping distance and may also cause brake damage.

WARNING

If you are driving down a long or steep hill, shift to a lower gear. Do not apply your brakes continuously, as they may overheat and become less effective.

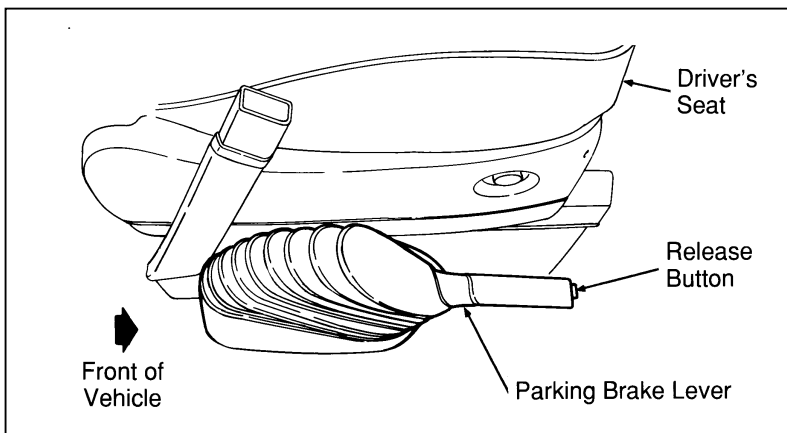
Using the Parking Brake

The parking brake should be used whenever you park your vehicle.

The parking brake is a hand operated lever located on the floor of your vehicle just to the right of the driver's seat.

To set the parking brake while parking your vehicle, press the brake pedal with your right foot and hold it while you fully apply the parking brake lever.

To release the parking brake, press the brake pedal with your right foot, pull up the lever while depressing the release button on the parking brake lever then lower the lever all the way to the floor.



The parking brake

Driving Your Windstar

WARNING

When parking, do not use the gearshift in place of the parking brake. Always set the parking brake fully and make sure that the gearshift is securely latched in Park (P). Turn off the ignition whenever you leave your vehicle. Never leave your vehicle unattended while it is running. If you do not take these precautions, your vehicle may move unexpectedly and injure someone.

WARNING

If the parking brake is fully released, but the Brake System light remains on, have the brakes checked immediately. They may not be working properly.

The parking brake is not designed to stop a moving vehicle, but you can use the parking brake to stop your vehicle in an emergency if the service brakes fail. However, since the parking brake does not stop your vehicle as quickly as the normal brakes, the stopping distance will increase greatly.

Driving Under Special Conditions

Tips for Safe Driving

As with any new vehicle, yours may drive and handle differently from your previous vehicle. Use greater care until you become accustomed to its features and driving characteristics.

Always operate your vehicle within reasonable limits. Abrupt changes in acceleration, deceleration, turning, or combinations of these maneuvers can cause a vehicle to behave differently than anticipated, especially when road conditions vary.

For example, even with anti-lock brakes, extreme braking can make it difficult to control the direction of the vehicle. Use a “squeeze” technique. Push on the brake pedal with steadily increasing force. This allows the wheels to brake, yet continue to roll so that you may steer in the direction you want to travel.

If you release the accelerator abruptly or brake hard while going too fast around a severe curve, your vehicle may change its direction of travel. Avoid applying the brakes, if possible. If you must apply the brakes, use the “squeeze” technique described earlier.

Wheel Spin

Extreme acceleration can cause the front wheels to spin, resulting in reduced steering control. If the wheels spin during vehicle start-up, shift to 2 (Second) gear. Move forward slowly and evenly. If this does not work, try rocking the vehicle.

Driving at High Speeds

| |
|--|
|  WARNING |
|--|

| |
|---|
| Driving too fast for conditions creates the possibility of loss of vehicle control. Driving at very high speeds for extended periods of time may result in damage to vehicle components. |
|---|

Ford Motor Company recommends obeying posted speed limits.

| |
|--|
|  WARNING |
|--|

| |
|---|
| Do not spin the wheels at over 35 mph (55 km/h). The tires may fail and injure a passenger or bystander. |
|---|

Driving Your Windstar

Driving in Bad Weather

Slippery roads

- Drive cautiously on wet or snowy roads.
- Do not quickly move the steering wheel unless necessary.
- Drive more slowly than you would normally.
- Do not use speed control.
- Give your vehicle more distance to stop.
- Use the “squeeze” technique for braking as described in previous braking sections.
- Consider using one of the lower gears.

| |
|--|
|  WARNING |
|--|

| |
|---|
| <p>To avoid skidding and losing control on slippery roads, do not downshift into 1 (First) when you are moving faster than 20 mph (30 km/h).</p> |
|---|

| |
|--|
|  WARNING |
|--|

| |
|--|
| <p>The Anti-Lock Brake System may not prevent brake lock-up on extremely slippery surfaces.</p> |
|--|

High water

Do not drive through flooded areas unless you are sure that the water is below the bottom of the wheel hubs.

If you must drive through high water, drive slowly. You may have limited traction or wet brakes so allow extra stopping distance because your vehicle will not stop as quickly as usual.

After you drive through the standing water, apply your brakes gently several times as your vehicle moves slowly to help dry the brakes.

Rocking the Vehicle

If your vehicle gets stuck (for example, in mud or snow), you may rock it out. Shift in a steady rhythm between forward and reverse gears. At the same time, press lightly on the accelerator. If you are still stuck after a few minutes of rocking, call for a tow truck.

NOTE: If your vehicle is equipped with Traction Control, make sure the system has been turned off before attempting to rock the vehicle.

See *Traction Control Off Light* in the *Lights and Gauges* section of this guide for more information.

Do not rock the vehicle for more than a few minutes. This may overheat the engine, damage the transaxle, or damage the tires.

Driving With a Heavy Load

The Safety Compliance Certification Label, located on the driver's door pillar, provides important information regarding the weight limits your vehicle can safely carry or tow. The total weight of your vehicle, including the weight of the passengers and cargo, should never be more than the Gross Vehicle Weight Rating (GVWR). Also, the weight that your vehicle carries on the front axle and rear axle should never be more than the Gross Axle Weight Rating (GAWR) for the respective axle.

The load capacities of your vehicle's tires affect the GVWR or GAWR limitations. Using replacement tires with a higher weight limit than the originals does not increase GVWR or GAWR. Using lower capacity replacement tires may lower GVWR and GAWR limitations.

WARNING

If the GVWR or the GAWR specified on the Safety Compliance Certification Label is exceeded, your vehicle may be damaged or you may lose control and injure someone.

Vehicle/Trailer Loads

Your vehicle may tow a Class I trailer up to 2,000 lbs. (907 kgs) or 3,500 lbs. (1,587 kgs) with Trailer Tow Package provided the Gross Vehicle Weight (GVW) is less than the GVWR shown on the Safety Compliance Certification Label.

Towing a Trailer

Towing a trailer puts an additional load on your vehicle's engine, transaxle, axle, brakes, tires and suspension. For your safety and for the good of your vehicle, use the right equipment for the type of trailer you tow.

- Stay within the load limits when you tow.
- Carefully and thoroughly prepare your vehicle for towing, making sure to use the right equipment and to attach it properly. See *Preparing to Tow* in this section.
- Use extra caution when driving your vehicle while you tow. See *Driving While You Tow* in this section.
- Service your vehicle more frequently if you tow a trailer. See *Servicing Your Vehicle if You Tow* in this section.

Do not tow a trailer until your vehicle has been driven at least 500 miles (800 km).

Vehicle Loading Information

Your vehicle's load capacity is designated by weight, not volume, so you cannot necessarily use all the available space. Maximum safe vehicle weights as well as tire sizes, rim sizes and inflation pressures are specified for your vehicle at the assembly plant on the Safety Compliance Certification Label. The certification label is located on the pillar in the driver's door opening.

Each additional item of equipment affects how much cargo a vehicle can carry. If a vehicle is overloaded, performance will suffer and service concerns may arise.

NOTE: The vehicle must not be loaded to both the front and rear GAWR because the GVWR will be exceeded. The GAWR of the front and rear axles exceed the GVWR when added together.

Understanding Loading Information

There are five terms that are used to describe a vehicle's ability to carry a load:

- Base Curb Weight
- Payload
- GVW (Gross Vehicle Weight)
- GVWR (Gross Vehicle Weight Rating)
- GAWR (Gross Axle Weight Rating)
- GCWR (Gross Combined Weight Rating)

Base Curb Weight

The base curb weight is the weight of the vehicle including fuel, coolants, lubricants, emergency tools and spare wheel and tire. It also includes any equipment that is standard. It does not include passengers, cargo or optional equipment installed by factory, dealer, aftermarket supplier or customer.

Payload

Maximum payload is the combined, maximum allowable weight of cargo, occupants and optional equipment that the vehicle is designed to carry. It is the Gross Vehicle Weight Rating minus the base curb weight.

Gross Vehicle Weight (GVW)

The Gross Vehicle Weight (GVW) is the total weight of the passengers, cargo and all equipment.

It is important to remember that GVW is not a limit or a specification, but actual weight. If an owner loads up the vehicle and weighs it, that's the GVW at that moment. If the owner adds on more of a load and weighs it again, that becomes the GVW.

Gross Vehicle Weight Rating (GVWR)

To avoid overloading your vehicle, never exceed the specified Gross Vehicle Weight Rating for your vehicle. The GVWR is the maximum allowable weight of the vehicle when fully loaded including passengers, cargo and all equipment.

Gross Axle Weight Rating (GAWR)

We have all seen a car or a truck that is loaded down in the rear and riding high in the front. This is a dangerous condition that usually means that the rear suspension components are under severe strain and that vehicle handling is impaired. There is more to carrying a load than just payload or GVWR.

Your Safety Compliance Certification Label not only gives the GVWR, it also gives the Gross Axle Weight Rating (GAWR) which is the maximum weight allowed on the axle system.

The rating is based on the carrying capacity of the weakest axle and suspension component as well as other factors. This is why it is so important to observe vehicle loading ratings.

Overloading a vehicle punishes components and can lead to shortened service life or outright failure.

The weakest link in the suspension system defines the GAWR, and may be the tires. Tires are rated to carry a specific maximum load at a specific tire pressure.

When passenger car tires are installed on light trucks and multipurpose passenger vehicles, they are rated at a 10% lower load carrying capacity due to the differences in vehicle usages.

With the tires inflated to the specified pressure, the total weight of your vehicle must not exceed the GVWR and GAWR specified on the Safety Compliance Certification Label. This includes full fuel tank(s), vehicle equipment, and occupants, as well as the cargo load.

Gross Combined Weight Rating (GCWR)

The GCWR is the maximum allowable weight of the towing vehicle and the loaded trailer (including all cargo and passengers).

Calculating the Payload for Your Vehicle

To know how much weight your vehicle can carry:

1. Obtain the GVWR and GAWR from your Safety Compliance Certification Label.
 - If you do not plan to pull a trailer, do not include these ratings into your calculations.
2. Fill the fuel tank.
3. Weigh your vehicle without cargo.

-
4. Subtract vehicle actual weight from the GVWR to find out how much more weight your vehicle can carry.
 5. Weigh the vehicle again once it is loaded to make sure that the GVWR and front and rear GAWR's are not exceeded.

Trailer towing table

| | Without Trailer Towing Package | With Trailer Towing Package |
|------------------------|--------------------------------|-----------------------------|
| Maximum trailer weight | 2,000 lbs (907 kgs) | 3,500 lbs (1,587 kgs) |
| Maximum GCWR | 6,550 lbs (2,971 kgs) | 7,500 lbs (3,401 kgs) |

If you suspect that your payload is excessive, have your vehicle weighed at a highway weight station or another appropriate commercial facility. Fill the fuel tank. Weigh the total vehicle and trailer (if applicable), then separately weigh the vehicle at the front and rear wheels. Finally, weigh the trailer separately if applicable.

Trailers

Towing a trailer safely means having the proper weight on the tongue (usually 10-15% of the trailer weight).

If your vehicle exceeds the GVWR, remove cargo from your vehicle accordingly. If your vehicle exceeds either GAWR, shift the load or remove cargo accordingly.

Driving Your Windstar

WARNING

If the GVWR or the GAWR specified on the Safety Compliance Certification Label is exceeded, your vehicle may be damaged or you may lose control and injure someone.

WARNING

Towing trailers beyond the maximum recommended gross trailer weight exceeds the limits of the vehicle and could result in engine damage, transaxle/axle damage, structural damage, loss of control, and personal injury.

Preparing to Tow

For your safety and for the good of your vehicle, use the right equipment for the type of trailer you tow. Also, make sure that all towing equipment is properly attached to your vehicle. If you are not certain that you are using the right equipment in the proper manner, see your dealer or a reliable trailer dealer.

Hitches

For towing trailers up to 2,000 lbs. (907 kg), use a good weight-carrying hitch and hitch ball which uniformly distributes the trailer tongue load through the underbody structure.

Do not use single clamp bumper hitches or hitches that attach to the axle.

Whenever a trailer hitch and hardware are removed, make sure all mounting holes in the underbody are properly sealed to prevent exhaust fumes from entering the vehicle.

Safety chains

Always use safety chains between your vehicle and trailer. Cross chains under the trailer tongue and allow slack for turning corners. Connect safety chains to the vehicle frame or hook retainers. **Never attach chains to the bumper.**

Trailer Brakes

Separate trailer brakes are required on most trailers weighing over 1,500 lbs. (680 kg).

| |
|--|
|  WARNING |
|--|

| |
|--|
| <p>Do not connect a trailer's hydraulic brake system directly to your vehicle's brake system. Your vehicle may not have enough braking power and your chances of having a collision greatly increase.</p> |
|--|

Trailer Lamps

Make sure your trailer lamps conform to federal and local regulations.

Class I Trailer Tow electrical wiring provides two circuits (right hand and left hand) to operate trailer stop/turn tail lamps. Each stop/turn circuit will operate one combination stop/turn light bulb (# 1157, 3157, 2357, or 3357) on the trailer. Never add more than one trailer light bulb to one circuit.

⚠ WARNING

Always replace a fuse with one that has the specified amperage rating. Using a fuse with a higher amperage rating can cause severe wire damage and could start a fire.

Driving While You Tow

Be especially careful when driving while you tow a trailer. Never drive faster than 45 mph (70 km/h) when you tow in hilly country on hot days. Also, anticipate stops so that you can brake gradually.

If you use the speed control while you are towing on very long, steep grades, the speed control may shut off automatically.

When descending a steep grade with a trailer, operate in Drive rather than Overdrive. If additional braking is needed, shift into 2 (Second) or 1 (First) gear.

Servicing your vehicle if you tow

If you tow a trailer for a long distance, your vehicle will need to be serviced more frequently than usual. See the *Maintenance Schedule and Record Booklet*.

Trailer towing tips

Before starting on a trip, practice turning, stopping and backing in an area away from heavy traffic. Get to know the “feel” of the vehicle/trailer combination.

Practice backing up. Back up very slowly, with someone outside at the rear of your trailer to guide you. Place your hand at the bottom of the steering wheel and move it in the direction you want the rear of the trailer to swing. Slight movement of the steering wheel results in a much larger movement of the rear of the trailer.

When turning, drive slightly beyond the normal turning point so the trailer wheels will clear curbs or other obstructions.

Allow more room for stopping with a trailer attached. Trailer brakes should be applied first, whether manually or automatically controlled, when approaching a stop.

For an easy-to-operate vehicle/trailer combination, the trailer tongue load should be approximately 10-15% of the loaded trailer weight.

Make a thorough check of your equipment before starting out on the road. After you have traveled about 50 miles (80 km), stop in a protected area and double-check your hitch and electrical connections. Also check trailer wheel lug nuts for tightness.

Driving Your Windstar

When stopped in traffic for long periods of time in hot weather, place the gearshift selector lever in P (Park) to increase the engine idle speed. This aids in engine cooling and air conditioner efficiency. If the engine overheats, turn the selector knob to select the fresh air position to stop the air conditioner compressor. Increase the engine speed for a short time.

Vehicles with trailers should not be parked on a grade. However, if you must park on a grade, place wheel chocks under the trailer's wheels as follows:

1. Apply the foot service brake pedal and hold.
2. Have another person place the wheel chocks under the trailer wheels.
3. With the chocks in place, release the foot service brake pedal, making sure the chocks are holding.
4. Apply the parking brake by pressing the service brake pedal down firmly with your right foot while applying the parking brake lever with your right hand.
5. Shift the gearshift lever into P (Park).

Complete the following steps to start your vehicle after it has been parked on a grade:

1. Apply the foot service brake pedal and hold.
2. Start the engine.
3. Shift the gearshift lever into gear and release the parking brake.
4. Release the foot service brake pedal and move the vehicle uphill to free the wheel chocks.
5. Apply the foot service brake pedal and hold while another person retrieves the chocks.

Roadside Emergencies

Jump-Starting Your Vehicle

Your vehicle's battery may discharge if you leave the lights or any electrical equipment on after you turn the engine off. If this happens, you may be able to jump-start from a booster battery to start your vehicle.

⚠️ WARNING

The gases around the battery can explode if exposed to flames, sparks, or lit cigarettes. An explosion could result in injury or vehicle damage.

⚠️ WARNING

To protect yourself when charging a battery, always shield your face and eyes. Make sure that you can breathe fresh air.

⚠️ WARNING

Applying too much pressure on the ends when lifting a battery could cause acid to spill. Lift the battery with a carrier or with your hands on the opposite corners.

⚠️ WARNING

Batteries contain sulfuric acid which burns skin, eyes, and clothing.

If the acid touches someone's skin, eyes, or clothing, immediately flush the area with water for at least 15 minutes. If someone swallows the acid, have him or her drink lots of milk or water first, then Milk of Magnesia, a beaten egg, or vegetable oil. Call a doctor immediately.

To avoid damaging your vehicle or your battery, and to avoid injury to yourself, follow these directions for preparing your vehicle to jump-start and connecting the jumper cables in the order they are given. If in doubt, call for road service.

To prepare your vehicle for jump-starting:

1. Use only a 12-volt battery to jump-start your vehicle. Your vehicle has a 12-volt starting system, so you need to use a 12-volt jumper system. You can damage your starting motor, ignition system, and other electrical parts if you connect them to a 24-volt power supply (either two 12-volt batteries in series or a 24-volt motor generator set).
2. Do not disconnect the battery of the vehicle that needs a jump-start. You could damage the vehicle's electrical system.
3. Park the second vehicle close to the hood of your vehicle, but make sure the vehicles do not touch each other. Set the parking brake on both vehicles and stay clear of the engine cooling fan.
4. Check the battery terminals and remove any excessive corrosion before you attach the jumper cables.
5. Turn on the heater blower in both vehicles. Turn off all other switches and lights in both vehicles to prevent possible damage to either vehicle's electrical systems.

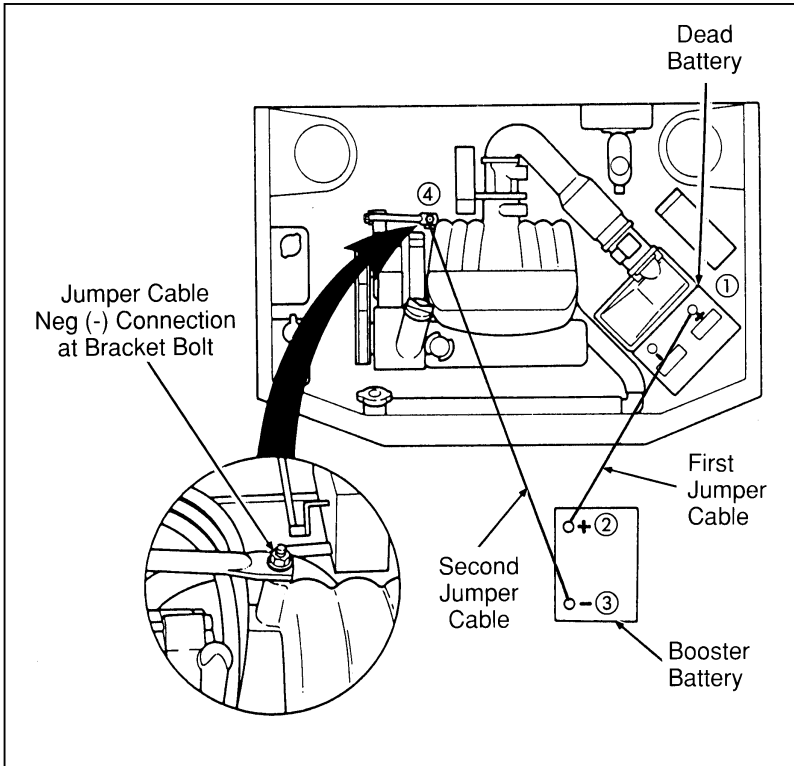
Roadside Emergencies

To connect the jumper cables:

1. Connect one end of the first jumper cable to the positive (+) terminal of the dead battery. (You can connect either jumper cable to the positive (+) terminal, as long as you use the same cable for both positive terminals.) Most jumper cables have a red cable and a black cable. The red cable is generally used for the positive terminals and the black for the negative ones.
2. Connect the other end of the first cable to the positive (+) terminal of the booster battery.
3. Connect one end of the second cable to the negative (-) terminal of the booster battery — NOT to the dead battery.
4. Connect the other end of that cable to a good, unpainted metallic surface in the engine compartment of the vehicle that needs a jump-start. The following illustration shows where you can find a metallic surface.

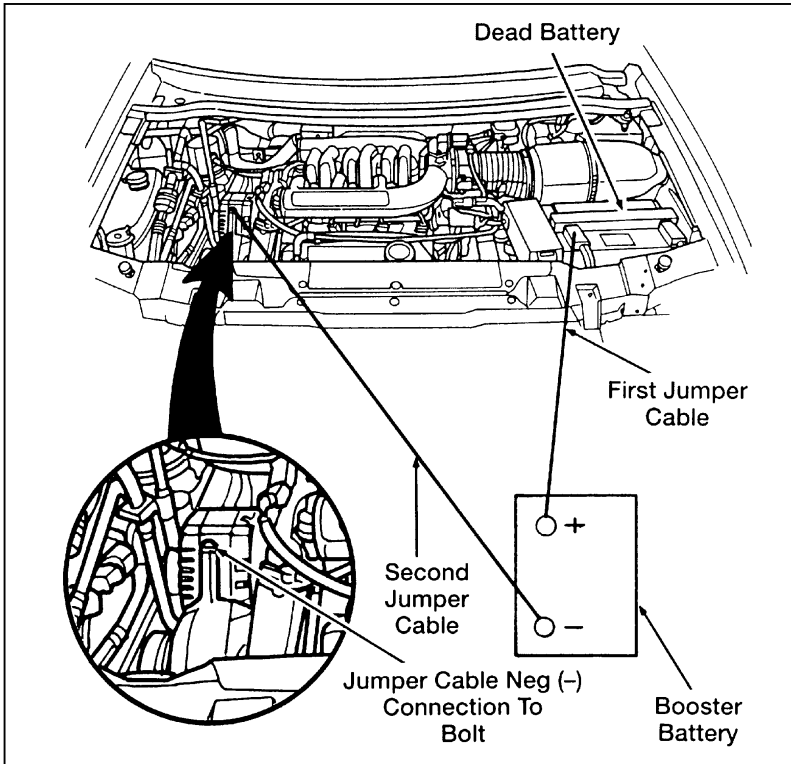
| |
|--|
|  WARNING |
|--|

| |
|---|
| <p>Do not connect the end of the second cable to the negative (-) terminal of the battery to be jumped. A spark may cause an explosion of the gases that surround the battery.</p> |
|---|



Jumper Cable Placement (3.8L)

Roadside Emergencies



Jumper Cable Placement (3.0L)

After you connect the jumper cables to the batteries:

1. Make sure that the jumper cables are not in the way of moving engine parts, then start the vehicle that has the booster battery. Run the engine at a moderate speed.

-
2. Let the dead battery charge for a few minutes and then start the vehicle that has the dead battery. If the starter does not crank, check for good, solid jumper cable clamp attachments. It may take a couple of tries before your vehicle starts. If your vehicle does not start after several attempts, you may have a different mechanical problem.
 3. When both vehicles are running, let them idle for a few minutes to charge the dead battery.

Take the jumper cables off in the following order:

1. Remove the negative (–) end of the jumper cable from the metallic surface in the engine compartment of the vehicle that needed a jump-start.
2. Remove the other end of the negative (–) cable from the booster battery.
3. Remove the positive (+) cable from the booster battery.
4. Remove the other end of the positive (+) cable from the vehicle that needed a jump-start.

After your vehicle is started, let it idle for a while to let the engine “relearn” its idle conditions and drive it around for a little while with all electrical accessories turned off, to let the battery recharge. **You may need to use a battery charger to fully recharge the battery.**

Roadside Emergencies

Changing a Flat Tire

If you get a flat tire while you are driving, do not apply the brake heavily. Instead, gradually decrease the speed. Hold the steering wheel firmly and slowly move to a safe place on the side of the road. Park on a level spot, turn off the ignition, set the parking brake, and turn on the hazard flashers.

Using the Spare Tire

Your vehicle has a temporary spare tire (unless you ordered the optional full-size spare tire). This spare tire is smaller than a regular tire and is designed for emergency use only. Use it only when you get a flat tire and replace it as soon as you can. This spare tire is marked with the words TEMPORARY USE ONLY so that you can easily identify it.

| |
|--|
|  WARNING |
|--|

| |
|---|
| <p>If you use the temporary spare tire continuously or do not follow these precautions, the tire could fail, causing you to lose control of the vehicle, possibly injuring yourself or others.</p> |
|---|

When you drive with the temporary spare tire, DO NOT:

- exceed 50 mph (80 km/h) under any circumstances
- load your vehicle so that it is heavier than the maximum vehicle load rating listed on the tire decal
- tow a trailer
- use tire chains
- try to repair the temporary spare tire or remove it from its wheel

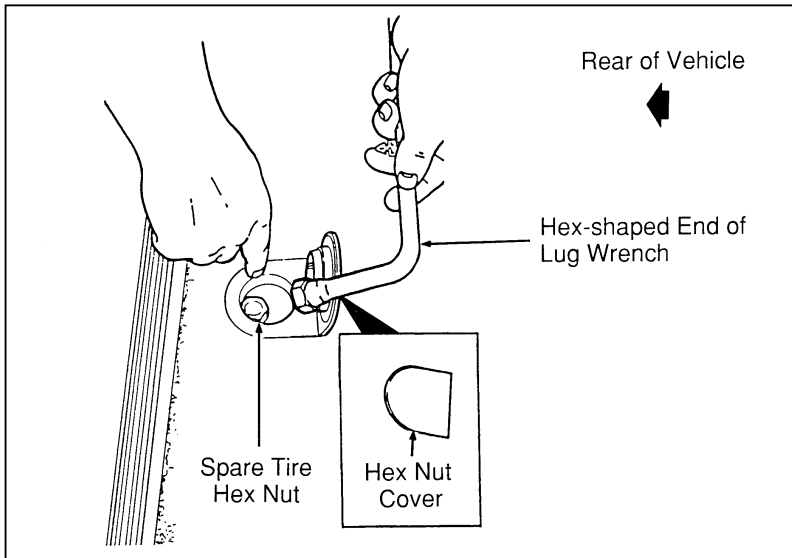
- use the wheel for any other type of vehicle
- drive through an automatic car wash. Because the temporary spare tire is smaller than a conventional tire, it reduces the ground clearance. Your vehicle may get caught in the rails and it could be damaged.

Finding the spare tire

The spare tire is stored underneath your vehicle, directly below the cargo area.

Removing the spare tire

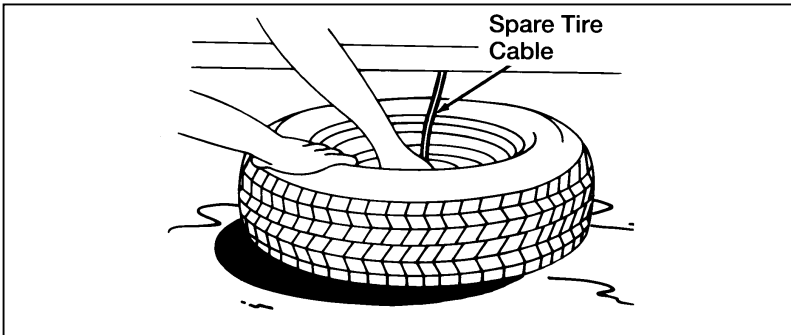
1. Open the liftgate and find the plastic hex nut cover in the carpeting of the cargo area. Lift the cover to expose the hex nut.



The spare tire cover

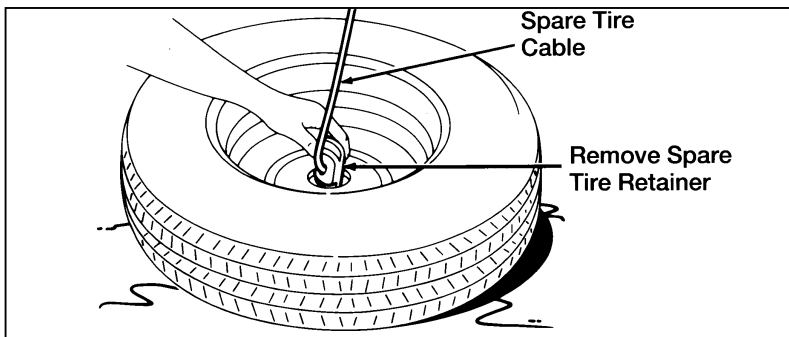
Roadside Emergencies

2. Find the tapered lug wrench in the tool kit located behind the jack in the right cargo area side panel.
3. Fit the hex-shaped end of the lug wrench over the hex nut in the floor of the cargo area. Turn counterclockwise until the cable extends far enough to lower the spare tire to the ground.



The spare tire in the lowered position

4. Continue to turn the hex nut counterclockwise until the spare tire retainer can be seen for removal.
5. Remove the retainer from the center of the wheel. It may be necessary to lift one end of the tire to disengage the retainer.



Removing the spare tire retainer

Changing the Tire

You should only raise your vehicle with a jack properly placed at the front or rear jacking points.

1. Make sure that your vehicle will not move or roll. Put the gearshift lever in P (Park). Set the parking brake and block the wheel — in both directions — that is diagonally opposite the tire that you are changing.

⚠ WARNING

When one of the front wheels is off the ground, the transaxle alone will not prevent the vehicle from moving or slipping off the jack, even if the vehicle is in P (Park).

⚠ WARNING

To prevent the vehicle from moving when you change a tire, be sure the parking brake is set, then block (in both directions) the wheel that is diagonally opposite (other side and end of the vehicle) to the tire being changed.

Roadside Emergencies

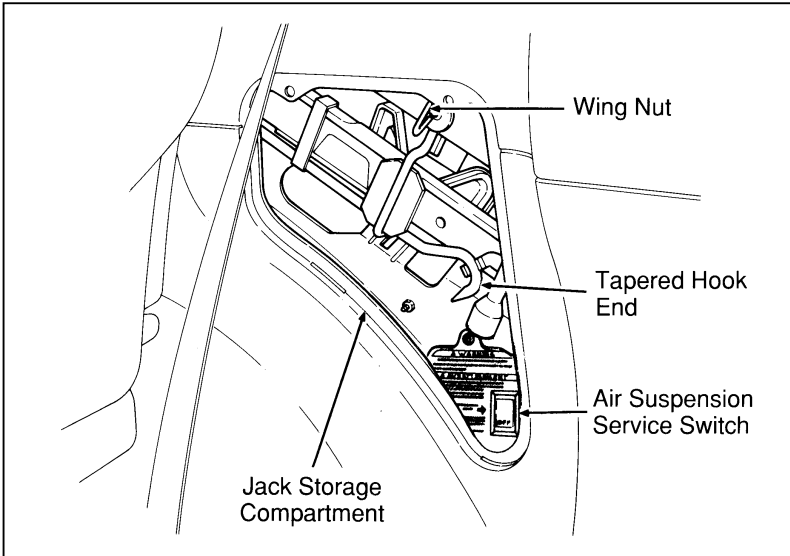
⚠ WARNING

If the vehicle slips off the jack, you or someone else could be seriously injured.

⚠ WARNING

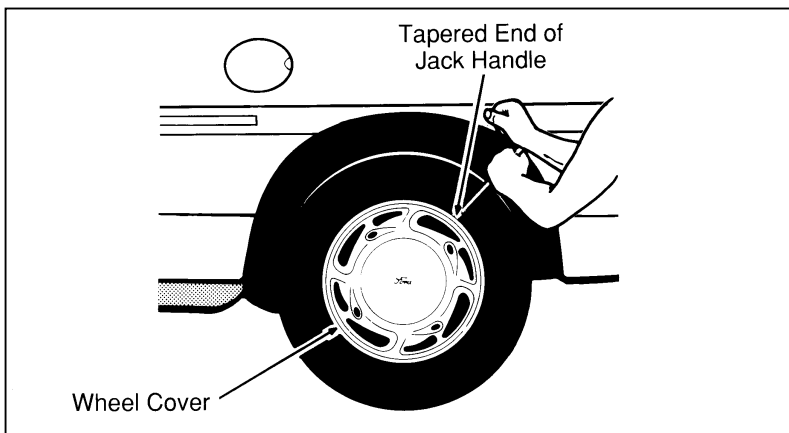
On vehicles equipped with Air Suspension, turn OFF the Air Suspension switch prior to jacking, hoisting or towing your vehicle.

2. Get out the spare tire and jack. See previous section for instructions on spare tire removal. The jack is located in the rear storage compartment in the right door panel of the cargo area. Remove wing bolt to unfasten jack.



Jack storage

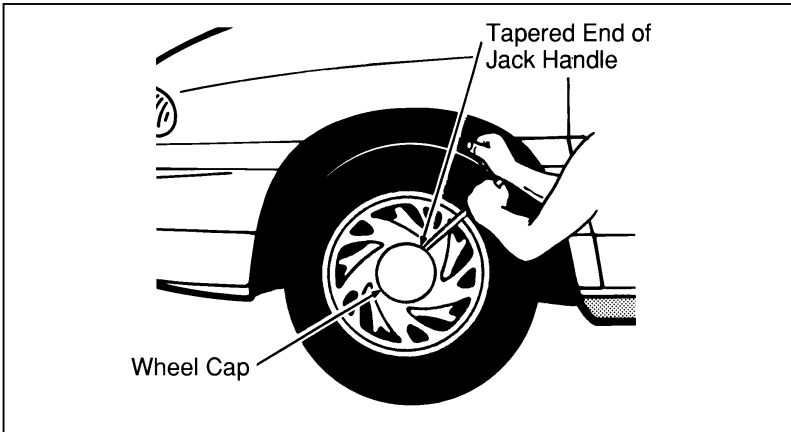
-
3. Insert the tapered end of the jack handle behind the wheel cover of the tire to be changed and gently pry it off. When you want to replace the wheel cover, simply align the valve stem to the slot in the cover and press it back on.



Wheel cover removal

If you have the optional cast-aluminum wheels, remove the wheel cap to gain access to the lug nuts. To remove the cap, insert the tapered end of the jack handle behind the notch in the wheel and gently pry the cap off. To replace it, press it back on.

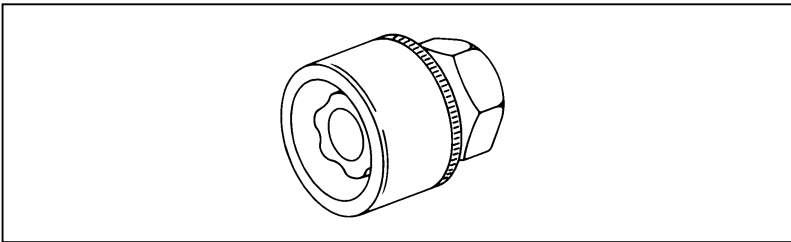
Roadside Emergencies



Wheel cover removal (optional cast aluminum wheels)

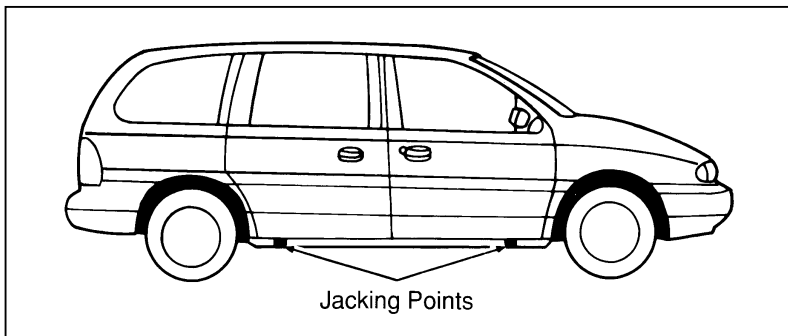
4. Fit the hex-shaped end of the lug wrench over the wheel lug nuts and loosen them one-half turn (counterclockwise). Do not remove the wheel lug nuts until you raise the tire off the ground.

If your vehicle has the optional locking lug nuts, you must use the lug nut removal tool provided with your vehicle's tool kit.

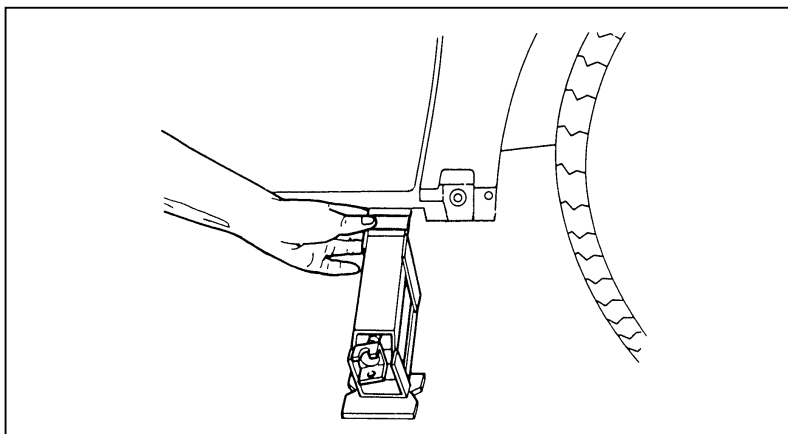


Anti-theft lug nut

-
5. Fit the jack under the proper jacking point indicated by the notch in the bottom of the door frame panel.



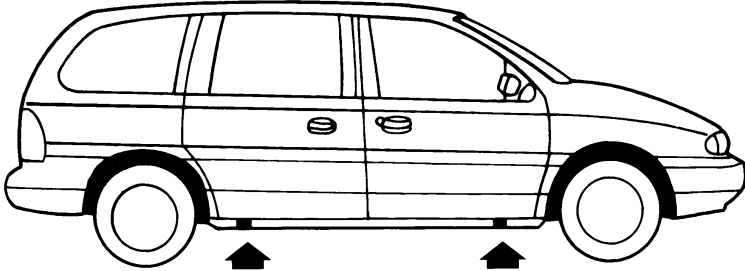
The notches for the jack



Jack placement

NOTE: If your vehicle is equipped with running boards, refer to the following illustration before jacking.

Roadside Emergencies

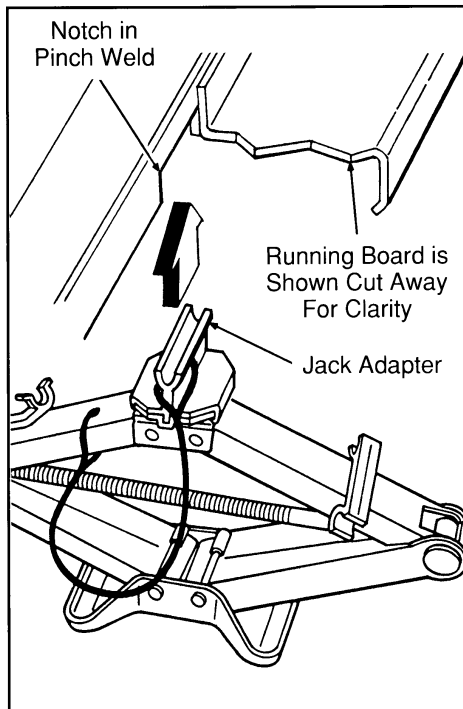


If your Windstar is equipped with accessory running boards, you must use the jack adapter when jacking the vehicle.

Install the adapter on the jack by sliding the base of the adapter into the slot on the top of the jack.

Position the jack and adapter under the pinch weld under the running board, being sure the adapter is visible through the notch in the running board.

Raise the vehicle following the detailed jacking instructions.



Jacking information for running boards

⚠ WARNING

To avoid injury, never run the engine with one wheel off the ground, such as when changing a tire.

⚠ WARNING

To lessen the risk of personal injury, do not put any part of your body under the vehicle while changing a tire. Do not start the engine when your vehicle is on the jack. The jack is only meant for changing the tire.

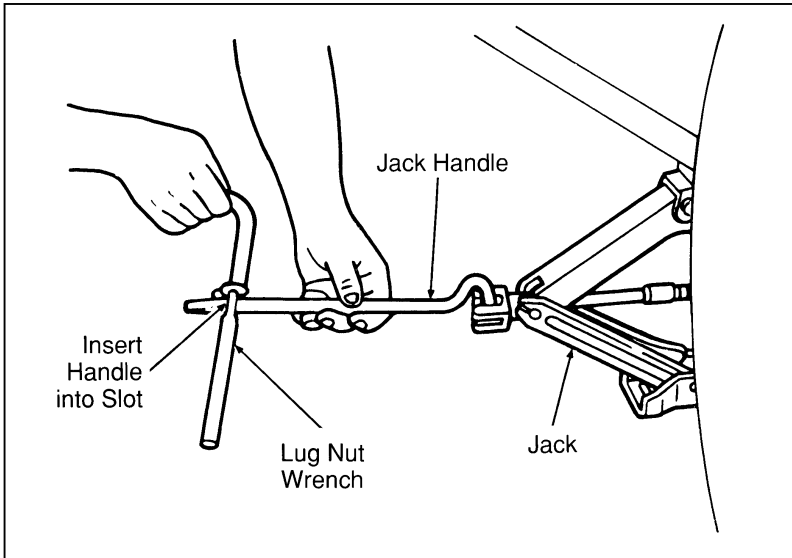
⚠ WARNING

Never raise your vehicle by using a bumper jack. The bumper could be damaged or the jack could slip and you could be injured.

NOTE: Never raise your vehicle by placing the jack on the torsion bar (within axle) or front or rear suspension components. Serious damage to these components may occur.

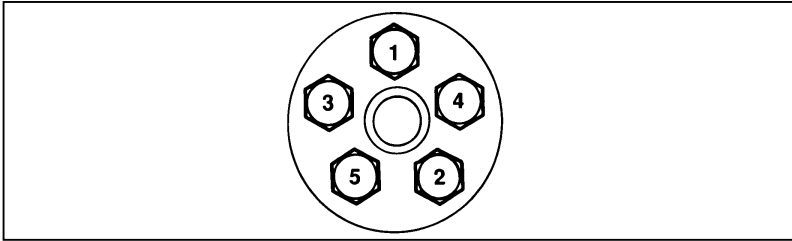
6. Insert the jack handle into the jack, and slide the tapered end of the jack handle through the slot in the lug nut wrench. All of these tools are needed to jack up a vehicle.

Roadside Emergencies



The jack and handle assembly

7. Turn the lug nut wrench (attached to the jack handle) clockwise to raise the vehicle off the ground.
8. Remove the wheel lug nuts with the lug nut wrench.
9. Remove the flat tire and replace it with the spare tire.
10. Place the wheel lug nuts on the spare tire. Use the lug nut wrench to screw the lug nuts snug against the wheel, but do not tighten fully.
11. Lower the vehicle by turning the jack handle counterclockwise.
12. Use the wheel lug wrench to tighten lug nuts in the appropriate sequence. Re-check for complete tightness.



Lug nut tightening sequence

The lug nuts should be tightened to 83-113 ft-lb (113-153 Nm).

13. Replace the wheel cover by pressing it into place. If you have the standard wheel covers, you must align the notch in the wheel cover with the tire's valve stem and align the recess in the back of the wheel cover with one of the lug nuts. If you have the optional aluminum wheel, press the center wheel cap into place after matching up the design of the wheel cap to the wheel.
14. Replace the jack in the storage compartment and make sure the jack is securely fastened.
15. Store the flat tire under the vehicle just as you would store the spare tire. Refer to the section on *Stowing the Spare Tire* in this chapter.
16. Unblock the wheels.

Retighten the lug nuts to the specified torque at 500 miles (800 km) of operation, after any wheel change, or any time the lug nuts are loosened.

Roadside Emergencies

Stowing the spare tire

1. To raise the tire to the stowed position, lay the tire on the ground with the interior side facing up. Install the retainer through the wheel center and slide the tire under the vehicle. Fit the hex-shaped end of the wheel lug wrench over the hex nut in the floor of the cargo area. Turn the wheel lug wrench clockwise until the tire is raised to its original position underneath the vehicle.

NOTE: The hex nut ratchets when the tire is raised to the stowed position. It will not allow you to over-tighten.

2. Check for proper seating against the underbody supports and retighten if necessary.

| |
|--|
|  WARNING |
|--|

| |
|---|
| Check the tire seating position for looseness and make sure the tire is not too far forward to avoid axle contact. |
|---|

| |
|--|
|  WARNING |
|--|

| |
|---|
| Make sure spare tires and jacking equipment are stowed and secured in the proper storage location. |
|---|

Fuel Pump Shut-Off Switch

If the engine cranks but does not start or if you have had a collision, the fuel pump shut-off switch may have been actuated. The shut-off switch is a device that automatically stops the flow of fuel to the engine when your vehicle has been involved in a collision. The impact does not have to be great for the switch to be actuated. In many instances, you might not even know that the switch has been actuated.

For information on how to check and reset the fuel pump shut-off switch, see *Fuel pump shut-off switch* in the Index.

Roadside Emergencies

Towing Your Vehicle

If you need to have your vehicle towed, contact a professional towing service or, if you are a member, your roadside assistance center. Recommended towing options include wheel lift towing or flat bed towing.

When calling for a tow truck, tell the operator what kind of vehicle you have. A towing manual is available from Ford Motor Company for all authorized tow truck operators. Have your tow truck driver refer to this manual for the proper hook-up and towing procedures for your vehicle.

Roadside Assistance

Ford Motor Company has set up a 24-hour, seven-day-a-week hotline with trained operators that put you in touch with the help you need if you experience a problem with your vehicle. This complimentary service is provided to you throughout your warranty period of 3 years or 36,000 miles (3 years or 60,000 km), whichever comes first. To purchase Roadside Assistance coverages beyond this period, through Ford Auto Club, contact your Ford or Lincoln-Mercury dealer (not available in Canada).

Roadside Assistance will cover the following:

- Mount your spare if you have a flat tire.
- Jump-start your battery if it is dead.
- Unlock your vehicle if you are locked out.
- Bring you fuel if you run out.
- Tow your vehicle if you are stranded. Even non-warranty related tows, like accidents or getting stuck in mud or snow, are covered (some exclusions apply, such as impound towing and repossession).

How to use Roadside Assistance

Your Roadside Assistance identification card can be found in the Owner Guide portfolio in your glove compartment. Complete the card and place it in your wallet for quick reference.

To receive roadside assistance in the United States call 1-800-241-FORD (in Canada call 1-800-665-2006).

Should you need to arrange for roadside assistance yourself, Ford Motor Company will reimburse the reasonable cost. To obtain information about reimbursement call 1-800-241-FORD (in Canada call 1-800-665-2006).

If You Have a Service Concern

Ford Motor Company has authorized Ford and Lincoln-Mercury dealerships to service your vehicle. This section tells you how to get service or maintenance for your vehicle.

Dealership Service and Maintenance

Your satisfaction is our #1 goal. If you have questions or concerns with your vehicle, we suggest you follow these steps:

1. Contact your Sales Representative or Service Advisor at your selling/servicing dealership.
2. If the inquiry or concern remains unresolved, contact the Sales Manager or Service Manager at the dealership.
3. If the inquiry or concern cannot be resolved at the dealership level, please contact the Ford Customer Assistance Center.

In the United States:

**Ford Motor Company
Customer Assistance Center
300 Renaissance Center
P.O. Box 43360
Detroit Michigan 48243
1-800-392-3673 (FORD)
(TDD for the hearing impaired: 1-800-232-5952)**

Customer Assistance

In Canada:

**Ford Motor Company of Canada, Limited
Customer Assistance Centre
P.O. Box 2000
Oakville, Ontario L6J 5E4
1-800-565-3673 (FORD)**

Outside the U.S. or Canada:

**FORD MOTOR COMPANY
WORLDWIDE EXPORT OPERATIONS
1555 Fairlane Drive
Fairlane Business Park #3
Allen Park, Michigan 48101
U.S.A.
Telephone: (313) 594-4857
Fax: (313) 390-0804**

To process your request, the Ford Customer Assistance Center needs the following information:

- your telephone number(s) (both business and home)
- the name of the dealer and the city where the dealership is located
- the year and make of your vehicle
- the date purchased
- the current mileage on your vehicle
- your 17-digit Vehicle Identification Number (VIN) (shown on your owner card)

If you still have a service or product complaint, you may wish to contact the Dispute Settlement Board (U.S. only) or the Canadian Motor Vehicle Arbitration Plan (CAMVAP) in Canada.

The Dispute Settlement Board (U.S. Only)

The Dispute Settlement Board is a voluntary, independent dispute-settlement program available free to owners or lessees of qualifying Ford Motor Company vehicles.

The Dispute Settlement Board may not be available in all states. Ford Motor Company reserves the right to change eligibility limitations, modify procedures and/or to discontinue this process at any time without notice and without incurring obligations.

What Kinds of Cases Does the Board Review?

The Board reviews all product performance and service complaints on Ford, Mercury and Lincoln cars and Ford and Mercury light trucks under warranty that have not been resolved by a dealer or Ford Motor Company, except those involving:

- A non-Ford product
- A non-Ford dealership
- A vehicle sales transaction
- A request for reimbursement of consequential expenses unless incidental to a service or product complaint being reviewed
- Items not covered by your warranty
- Alleged liability claims
- Property damage where such damage is significant when compared to the economic loss alleged under the warranty dispute

Customer Assistance

- Cases currently in litigation
- Vehicles not used primarily for personal, family, or household purposes

NOTE: Complaints involving vehicles on which applicable express written new vehicle warranties have expired at receipt of your application are not eligible. Eligibility may differ according to state law. For example, see the unique brochure for California purchasers/lessees.

How Does the Board Work?

The Board has four members:

- three consumer representatives
- a Ford or Lincoln-Mercury dealer

Consumer candidates for Board membership are recruited and trained by an independent consulting firm. Dealers are chosen because of their business leadership qualities.

If the involved vehicle is within 36 months and 36,000 miles of the date of delivery (warranty start date), you have the right to make an oral presentation before the Board by indicating your choice on the application. Also, oral presentations may be requested by the Board. A decision is made by the Board by simple majority vote.

Board members review all the materials related to each complaint and, based on the available information, arrive at a fair and impartial decision. Decisions are based on the written statements and any oral presentations made by each of the involved parties.

Because the Board usually meets only once a month, some cases will take longer than 30 days to be reviewed. The Board will make every effort to resolve each case within 40 days after it receives the customer application form.

After your case has been reviewed, the Board will mail you its decision in writing. It will also provide you with a form to indicate your acceptance or rejection of an award decision. The decisions of the board are binding on the dealer and Ford, but customers may have other options available to them under state or federal law.

The decisions of the Board, however, may be introduced into evidence by any party in subsequent legal proceedings that may be initiated.

How Do You Contact the Board?

Write to the Board at the following address to request a brochure/application. You will be sent a brochure and a one-page customer application form. The form should be completed and mailed to the same address.

*Dispute Settlement Board
P.O. Box 5120
Southfield, MI 48086-5120*

You will be sent a brochure and a one-page customer application form. To begin the Board review process, the form should be completed and mailed to the special Board P.O. Box number shown above.

What is the Review Process?

Your application will be reviewed and if it is determined to be eligible, you will receive an acknowledgment indicating the file number assigned to your application and the local Board address. At the same time, your dealer and Ford Motor Company representative are asked to submit statements.

Customer Assistance

To review your case properly, the Board needs the following information:

- legible copies of all documents and maintenance or repair orders that relate to the case
- the year, make, model, and Vehicle Identification Number
- the date you bought your vehicle
- the date of repair and the mileage at the time of repair
- the current mileage
- the name of the dealer who sold you the vehicle or who serviced your vehicle
- a brief description of your unresolved complaint
- a brief summary of actions that were taken with the dealer and Ford Motor Company
- the names (if known) of all people you contacted at the dealership
- a description of the action you want taken to resolve your concern

Should your application NOT qualify for review, an explanation will be mailed to you.

Reporting Safety Defects (U.S. only)

If you believe that your vehicle has a defect which could cause an accident or could cause injury or death, you should immediately inform the National Highway Traffic Safety Administration (NHTSA) in addition to notifying Ford Motor Company.

If NHTSA receives similar complaints, it may open an investigation, and if it finds that a safety defect exists in a group of vehicles, it may order a recall and remedy campaign. However, NHTSA cannot become involved in individual problems between you, your dealer, or Ford Motor Company.

To contact NHTSA, you may either call the Auto Safety Hotline toll-free at 1-800-424-9393 (or 366-0123 in Washington, D.C. area) or write to: NHTSA, U.S. Department of Transportation, Washington, D.C. 20590. You can also obtain other information about motor vehicle safety from the Hotline.

Getting Help Outside the U.S. and Canada

Before you export your vehicle to a foreign country, contact the appropriate foreign embassy or consulate to make sure local regulations do not prevent you from registering your vehicle. Officials at the embassy can also help you decide whether you should import your vehicle to that country.

Officials at the embassy or consulate can tell you where to get unleaded fuel. If you cannot get unleaded fuel or can get only fuel with an anti-knock index that is lower than your vehicle needs, contact a district or customer assistance center before you leave the U.S. or Canada.

Customer Assistance

Use of leaded fuel in your vehicle without a proper conversion may damage the effectiveness of your emissions control system and may cause engine knocking or serious engine damage. Ford Motor Company is not responsible for any damage that is caused by use of improper fuel.

You may also have difficulty importing your vehicle back into the U.S. if you use leaded fuel.

If your vehicle must be serviced while you are traveling or living in Central or South America, the Caribbean, or the Middle East, contact the nearest Ford dealership. If the dealership cannot help you, contact:

*FORD MOTOR COMPANY
WORLDWIDE EXPORT OPERATIONS
1555 Fairlane Drive
Fairlane Business Park #3
Allen Park, Michigan 48101
U.S.A.
Telephone: (313) 594-4857
Fax: (313) 390-0804*

If you are in other foreign countries, contact the nearest Ford dealership. If the dealership cannot help you, they can direct you to the appropriate Ford affiliate office.

If you buy your vehicle in North America and then relocate outside of the U.S. or Canada, register your Vehicle Identification Number and new address with Ford Motor Company Export Operations.

Ford of Canada Customer Assistance

Ford Motor Company of Canada, Limited

Owners who wish to telephone the Company may contact the Customer Assistance Centre using the following telephone number or may write to the following address:

Please have your 17-digit vehicle identification number available.

**Ford Motor Company of Canada, Limited
Customer Assistance Centre
P.O. Box 2000
Oakville, Ontario L6J 5E4
1-800-565-3673 (FORD)**

Canadian Motor Vehicle Arbitration Plan (CAMVAP)

If a specific item of concern arises, where a solution cannot be reached between a vehicle owner, Ford of Canada, and/or one of its dealers (that all parties can agree upon), the owner may wish to use the services offered by the Canadian Motor Vehicle Arbitration Plan (CAMVAP).

CAMVAP uses the services of Provincial Administrators to assist consumers in scheduling and preparing for their arbitration hearings. However, before you can proceed with CAMVAP you must follow your manufacturer's dispute resolution process as outlined under "Service/Maintenance Concerns (U.S. or Canada)" earlier in this chapter.

Customer Assistance

Consumers wishing to obtain further information about the program can obtain an information booklet from your dealer or contact the Provincial Administrator, Canadian Motor Vehicle Arbitration Plan, at the address or telephone number shown below.

O & P Services

595 Bay Street — Suite 300

Toronto, Ontario

M5G 2C2

Telephone 1 (800) 207-0685

Ford Accessories for Your Windstar

Many accessories for your Windstar are available through your local authorized dealer. These accessories have been designed to meet your needs and are custom designed to complement the style and aerodynamics of your vehicle. Some of the available accessories are listed below.

Safety, Comfort, and Convenience

Comfort and Convenience

Engine Block Heater (Standard in Canada)

Remote Keyless Entry

Protection and Appearance Equipment

Aero Running Boards

Molded Running Boards

Carpet Floor Mats

Cleaners, Waxes and Polishes

Front End Cover

Front End Mini Cover

Lubricants and Oils

Side Window Shields

Styled Wheel Protector Locks

Rear Air Deflector

Door Edge Guards

Audio Equipment

CD Changer

Safety Equipment

Vehicle Security Systems

Travel Equipment

Soft Luggage Carrier

Aero Hood Deflector

Factory Luggage Rack & Adaptors

Trailer Hitch (Class II)

Console

NOTE: When adding accessories, equipment, passengers, and luggage to your vehicle, do not exceed the total weight capacity of the vehicle or of the front or rear axle (GVWR, GAWR as shown on the Safety Compliance Certification Label). Consult your dealer for specific weight information.

NOTE: Devices that emit radio frequency (RF) energy such as AM/FM radios, mobile communication systems (two-way radios, telephones) and radio controlled security systems, are subject to the rules and regulations of the Federal Communications Commission (FCC) 47 CFR Parts 2 and 15. Any such system installed in your vehicle should comply with those rules and should be installed only by a qualified technician. In addition, to insure continued compliance with the FCC's requirements, RF devices must not be modified or changed in a manner not expressly approved by Ford Motor Company.

NOTE: Mobile communication systems, particularly if not properly installed, may adversely affect the operation of the vehicle. For example, such systems, when operated, may cause the engine to stumble or stall. In addition, such systems may themselves be damaged, or their operation affected, by the operation of the vehicle. (Citizens band [CB] transceivers, garage door openers, and other transmitters whose power output is 5 watts or less, ordinarily will not affect vehicle operation.)

NOTE: Because Ford has no control over the operation or manufacture of such systems or their installation, Ford cannot assume responsibility for any adverse effects or damage if this equipment is used.

1996 Windstar Owner Manual Order Form

| PUBLICATION FORM NO. | DESCRIPTION |
|-------------------------|---|
| FCS-12186-96 | 1996 Windstar Service Manual |
| FCS-12106-96 | 1996 Powertrain Control/Emission Diagnosis |
| FCS-12139-96 | 1996 Car Service Spec. (FWD/RWD) |
| FCS-12189-96 | 1996 Windstar Electrical & Vacuum Troubleshooting Manual |
| 93-VID-OM | Ford and the American Dream (50) Minutes of Historic/Nostalgic Videotape |

- **NOTE:** For publications prior to year shown above, write for availability to the address shown below.
- Please allow ample time for postal service delivery.

U.S. RESIDENTS

Make checks payable to: HELM, INCORPORATED

MAIL ORDER TO:

HELM, INCORPORATED
P.O. Box 07150
Detroit, Michigan 48207

OR ORDER TOLL FREE:

1-800-782-4356

Monday - Friday 8:00 A.M. - 6:00 P.M. EST, For Credit Card Holder Orders Only

CANADIAN RESIDENTS

Make cheques payable to: Ford Motor Company of Canada, Ltd.

MAIL ORDER TO:

Ford Motor Company of Canada, Ltd.
Service Publications
P.O. Box 1580, Station B
Mississauga, Ontario, Canada L4Y 4G3

OR ORDER TOLL FREE:

1-800-387-4966

Monday - Friday 8:30 A.M. - 6:00 P.M. EST, For Credit Card Holder Orders Only

How Ford Makes Servicing Your Vehicle Easy

Ford has two goals for servicing your vehicle.

1. When we can, we design parts that do not need to be serviced.
2. We want to make servicing your vehicle as easy as possible. To help you:
 - We highlight do-it-yourself items in yellow in your engine compartment so that you can find them easily.
 - When possible, we design parts — such as the headlamp bulbs — that can be replaced without tools.
 - We give you a *Maintenance Schedule and Record* booklet that makes tracking routine service for your vehicle easy.

This chapter tells you about the basic parts that you need to check and service regularly.

If you need professional servicing, see the chapter on *Customer Assistance* in this Owner Guide.

Check your *Warranty Information* Booklet to find out which parts are covered.

Precautions When Servicing Your Vehicle

Be especially careful when inspecting or servicing your vehicle. Here are some general precautions for your safety:

- If you must work with the engine running, avoid wearing loose clothing or jewelry that could get caught in moving parts.
- Do not work on a vehicle in an enclosed space with the engine running, unless you are sure you have enough ventilation.

-
- Never get under a vehicle while it is supported by a jack only. If you must work under a vehicle, use safety stands.
 - Keep all lit cigarettes and other smoking materials away from the battery and all fuel-related parts.

Working Under the Hood

Before you open the hood, read this section carefully.

If you plan to work under the hood while the engine is off:

| |
|--|
|  WARNING |
|--|

| |
|--|
| Set the parking brake and make sure the gearshift is securely latched in P (Park). This will prevent your vehicle from moving unexpectedly. |
|--|

| |
|--|
|  WARNING |
|--|

| |
|---|
| Always remove the key from the ignition after you turn off the engine. |
|---|

If you must work under the hood while the engine is on:

| |
|--|
|  WARNING |
|--|

| |
|---|
| Set the parking brake and make sure that the gearshift is securely latched in P (Park). This will prevent your vehicle from moving unexpectedly. |
|---|

| |
|--|
|  WARNING |
|--|

| |
|---|
| Do not wear loose clothing or jewelry that can get caught in the moving parts. |
|---|

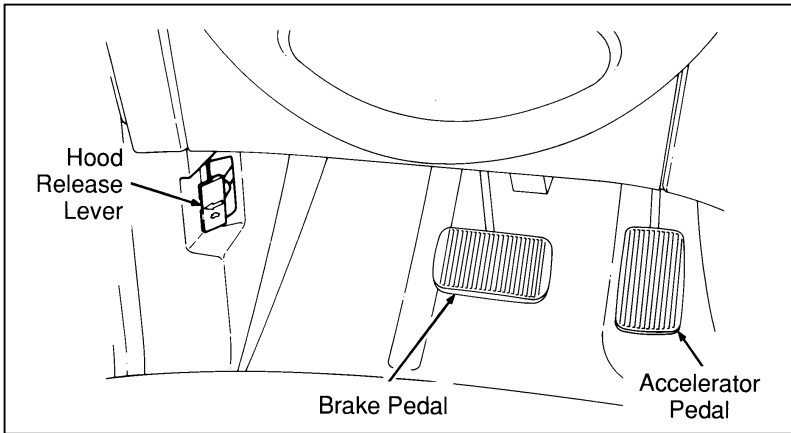
Servicing Your Windstar

⚠ WARNING

Do not start your engine with the air cleaner removed and do not remove it while the engine is running.

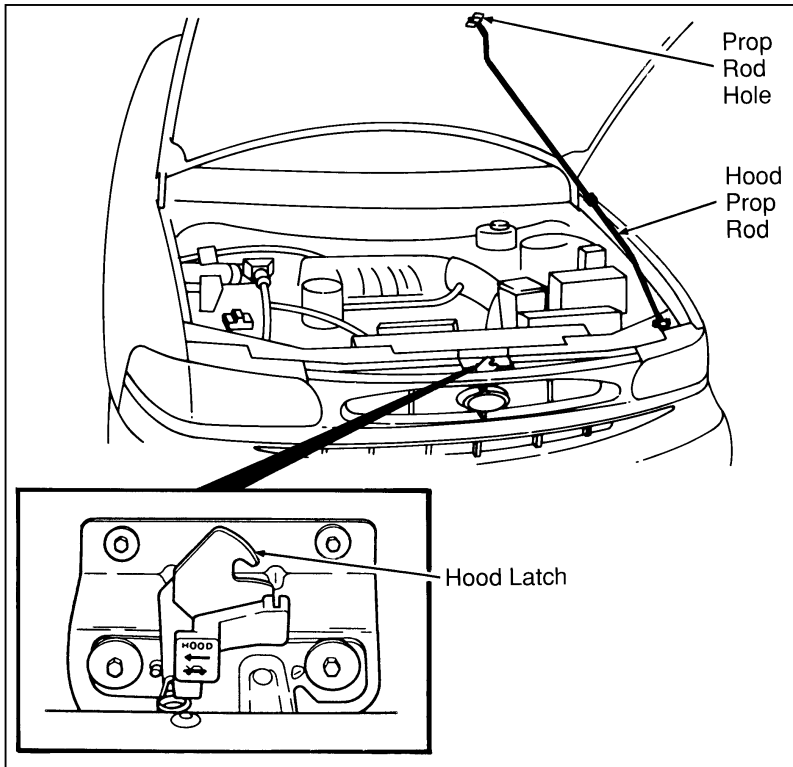
To open the hood:

1. Pull the hood release lever located below the instrument panel to the left of the steering wheel.



Hood release lever location

2. Go to the front of the vehicle and release the secondary hood latch under the hood in the front center of the vehicle.
3. Lift the hood and release the prop rod from its retaining clip. Place the end of the prop rod in the prop rod hole provided on the underside of the hood.



Propping the hood

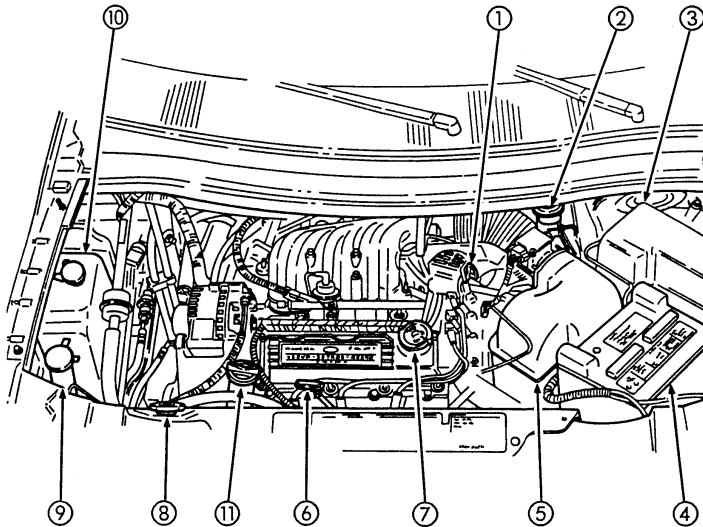
To close the hood:

1. Remove the prop rod from the slotted hole in the hood. Place the rod in its retaining clip and close the hood with enough force to make it latch. Be sure to oil the hood latch every six months to maintain smooth operation.
2. Try to lift the hood after closing it to be sure it is securely latched.

Servicing Your Windstar

Engine Compartment

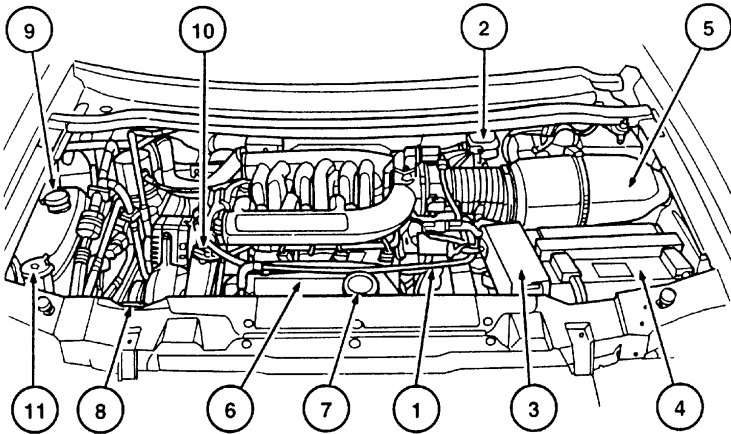
Your vehicle has a 3.0 liter SFI, V-6 engine or an optional 3.8 liter SFI, V-6 engine. The following illustrations show diagrams of your engine and where you can find items you should service regularly.



- ① Transmission Fluid Dipstick
- ② Brake Fluid Fill
- ③ Fuse/Relay Power Distributor Box
- ④ Battery
- ⑤ Air Cleaner
- ⑥ Engine Oil Dipstick
- ⑦ Engine Oil Fill
- ⑧ Radiator Cap
- ⑨ Windshield Washer Fluid Fill
- ⑩ Engine Coolant Fill
- ⑪ Power Steering Fluid Dipstick and Fill

The engine compartment (3.0 liter only)

Servicing Your Windstar



- 1 Transmission Fluid Dipstick
- 2 Brake Fluid Fill
- 3 Fuse/Relay Power Distribution Box
- 4 Battery
- 5 Air Cleaner
- 6 Engine Oil Dipstick
- 7 Engine Oil Fill
- 8 Radiator Cap
- 9 Engine Coolant Fill
- 10 Power Steering Fluid Dipstick and Fill
- 11 Windshield Washer Fluid Fill

The engine compartment (3.8 liter only)

What to Check When You Stop at a Service Station

Filling Your Fuel Tank With Fuel

1. Open the fuel door (located on the driver's side of the vehicle).
2. Unscrew the fuel cap by exerting pressure on the plastic cap and rotating the fuel cap counterclockwise.
3. Turn the fuel cap $\frac{3}{4}$ of a turn until a hissing sound is heard. Wait until the hissing sound stops and then continue rotating counterclockwise to remove the fuel cap.
4. Follow the fuel cap removal instructions and use caution to minimize the possibility of fuel spraying when you unscrew the cap.

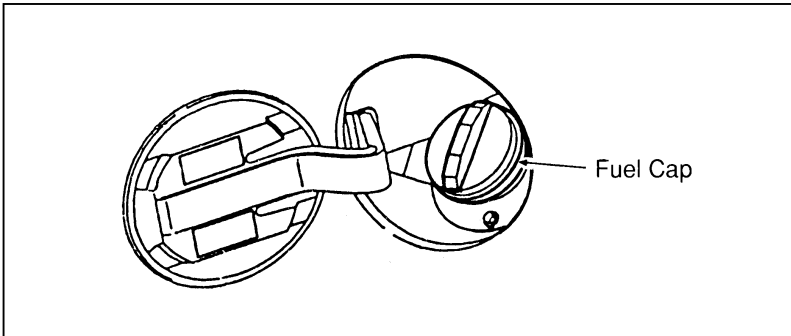
| |
|------------------|
| ⚠ WARNING |
|------------------|

| |
|---|
| If the fuel cap is venting vapor or if you hear a hissing sound, wait until it stops before completely removing the cap. |
|---|

| |
|------------------|
| ⚠ WARNING |
|------------------|

| |
|---|
| Turn the fuel cap $\frac{3}{4}$ of a turn to relieve any pressure and vacuum in the fuel tank. The cap will start unthreading after $\frac{3}{4}$ of a turn. |
|---|

Servicing Your Windstar



The fuel door

To replace and secure the fuel cap, place it in position and rotate it clockwise until it clicks (ratchets). The ratcheting mechanism allows the fuel cap to be sealed without overtightening.

If you lose the fuel cap, replace it with an authorized Motorcraft or equivalent part.

| |
|------------------|
| ⚠ WARNING |
|------------------|

| |
|--|
| <p>If you do not use the proper fuel cap, the pressure in the fuel tank can damage the fuel system or cause it to work improperly in a collision.</p> |
|--|

NOTE: If you replace your fuel cap with an aftermarket fuel filler cap, the customer warranty may be void for any damage to the fuel tank and/or fuel system.

A venting fuel tank is not an abnormal condition. It may be caused by:

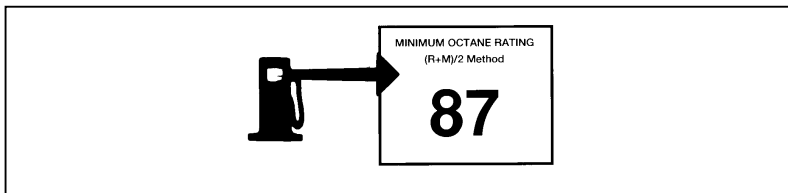
- too volatile a fuel for the weather conditions. Service stations sometimes sell winter grade fuel in the summer.
- pulling a heavy load on hot days, or at high altitudes.
- extended periods of idling with the engine RPM increased above the normal idle range.
- parking the vehicle in full sunlight for extended periods on extremely hot days.

Choosing the Right Fuel

Use only UNLEADED FUEL in your vehicle. Using leaded fuel is prohibited by federal law. Any vehicle damage may not be covered by your warranty.

Octane recommendations

Your vehicle is designed to use regular gasoline with an octane rating of 87.



Typical octane rating label

Servicing Your Windstar

We do not recommend gasolines labeled “regular” that are sold with octane ratings of 86 or even less in high altitude areas.

Do not be concerned if your vehicle sometimes knocks lightly. However, if it knocks heavily under most driving conditions on the recommended octane rating fuel, see your dealer or a qualified service technician to prevent any engine damage.

Fuel quality

If you are experiencing starting, rough idle, or hesitation problems try a different brand of fuel. If the condition persists, see your dealer or qualified service technician.

It should not be necessary to add any aftermarket products to your fuel tank if you continue to use a high-quality fuel.

Gasolines for clean air

Ford approves the use of gasolines, including those reformulated, that contain oxygenates such as ethanol (10% maximum), and MTBE (15% maximum). If methanol is used, the gasoline should contain no more than 5% with cosolvents.

Safety Information Relating to Automotive Fuels

| |
|--|
|  WARNING |
|--|

| |
|---|
| Automotive fuels can cause serious injury or death if misused or mishandled. |
|---|

Gasoline and other automotive fuels are extremely flammable. Turn your vehicle off and do not smoke while refueling your vehicle. Keep sparks and other sources of ignition away from fuels.

Automotive fuels can be harmful or fatal if swallowed. Never attempt to siphon any fuel by mouth.

If any fuel is swallowed, call a physician or poison control center immediately. **Do not delay calling a physician merely because no adverse effects are noticed at first; the toxic effects of fuels may not become apparent for many hours.**

Servicing Your Windstar

If gasoline is swallowed, do not induce vomiting. If a gasoline-methanol blend is swallowed, induce vomiting under the direction of a physician or poison control center.

Gasoline and gasoline-methanol blends may contain small amounts of carcinogens, such as benzene. Long-term exposure to unleaded gasoline vapors has caused cancer in laboratory animals. Excessive inhalation of fuel vapors can cause headache, dizziness, nausea, poor coordination, and other symptoms which could interfere with your ability to safely operate your vehicle. Avoid breathing vapors while refueling. If fuel vapors are inhaled in excessive quantities, move the victim to fresh air and seek medical attention.

Fuels can also be harmful if absorbed through the skin. Be careful not to splash fuel on yourself or your clothing. If fuel is splashed on the skin, promptly remove contaminated clothing and wash the skin thoroughly with soap and water.

Fuels can cause severe eye irritation and possibly eye damage. If fuel is splashed in the eyes, remove contact lenses (if worn), flush with large amounts of water for 15 minutes, and seek medical attention.

You should be particularly careful if you are taking the medication “Antabuse” or other forms of disulfiram for the treatment of alcoholism. There is a possibility that breathing the vapors of a gasoline-methanol blend, or skin contact with such a blend, may cause the same kind of adverse reaction as drinking an alcoholic beverage. In sensitive individuals, serious personal injury or sickness could result. Consult a physician promptly if you experience an adverse reaction.

NOTE: Avoid running out of fuel because this situation may have an adverse effect on modern powertrain components.

Running Out of Fuel

If your vehicle runs out of fuel, try to stop on level ground away from traffic. Add at least two gallons (8 liters) of fuel to start your vehicle again. If your vehicle is not on level ground, you may need as much as five gallons (20 liters) of fuel to start it.

You may need to turn the ignition to START several times before engaging the starter (leaving it in that position several seconds each time) before the fuel system starts to pump fuel from the tank to the engine.

Fuel Economy

Fuel economy is an estimate of the efficiency of your vehicle and can be calculated as Miles Per Gallon (MPG) or Liters Per 100 Kilometers (L/100K).

To calculate the fuel economy:

1. Fill the tank completely and record the initial odometer reading.
2. Every time you buy fuel record the amount (in gallons or liters) purchased.
3. Divide the total number of miles that you have driven by the total number of gallons that your vehicle has used. This will give you the average numbers of miles per gallon.

In metric, multiply the number of liters used by 100 and divide the answer by the number of kilometers traveled. This will give you the number of liters used per 100 km.

Servicing Your Windstar

Comparisons With Environmental Protection Agency (EPA) Fuel Economy Estimates

EPA fuel economy figures are obtained from laboratory tests under simulated road conditions and therefore are estimates which may not reflect the actual conditions you experience. The tests also do not exactly duplicate your personal style of driving, including all your stops, starts, and lane changes. Other factors that may affect fuel economy include using the air conditioning, driving speed, vehicle load and tire inflation pressure. The EPA fuel economy estimate is not a guarantee that you will achieve the fuel economy shown.

Improving Fuel Economy

You can improve the fuel economy for your vehicle in three ways:

1. Maintain your vehicle effectively. A well-tuned, properly maintained vehicle gives you better fuel economy. Follow the schedules for maintaining your vehicle that are in the *Maintenance Schedule and Record* booklet.
2. Drive your vehicle efficiently. Change your driving habits to conserve fuel:
 - Do not drive with your foot on the brake.
 - Watch traffic so that you do not have to stop suddenly.
 - Do not accelerate suddenly. Drive at a steady speed whenever you can.
 - Do not let the engine idle for a long time.
 - Do not carry loads that are too heavy. To find out the limits for the loads that your vehicle can carry, see *Driving with a heavy load* in the Index.

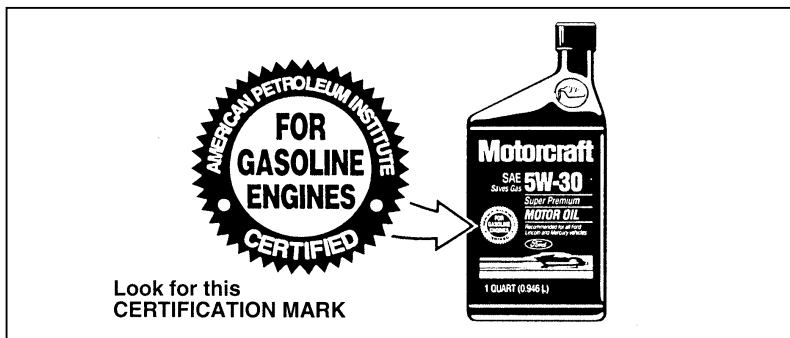
-
- Keep the tires properly inflated. To find out the recommended tire pressure, see *Checking the pressure of the tires* later in this chapter.
 - Use your air conditioning system wisely. To find out about fuel economy and air conditioning, see *Climate control systems* in the Index.

In addition to your individual driving habits, optional equipment, such as air conditioning, can have a significant effect on fuel economy. Various aftermarket add-on items that increase aerodynamic drag can also reduce fuel economy.

Engine Oil Recommendations

We recommend using Motorcraft oil or an equivalent oil meeting Ford Specification ESE-M2C153-E and displaying the American Petroleum Institute CERTIFICATION MARK on the front of the container.

Use only engine oils displaying the American Petroleum Institute CERTIFICATION MARK on the front of the container:



The API Certification Mark

Servicing Your Windstar

Never use:

- “Non-Detergent” oils
- Oils labeled API SA, SB, SC, SD, SE, SF or SG
- Additional engine oil additives, oil treatments or engine treatments

Engine oils with an **SAE 5W-30** viscosity are **PREFERRED** for your vehicle. They provide the best engine performance, fuel economy and engine protection for all climates down to -15°F (-25°C).

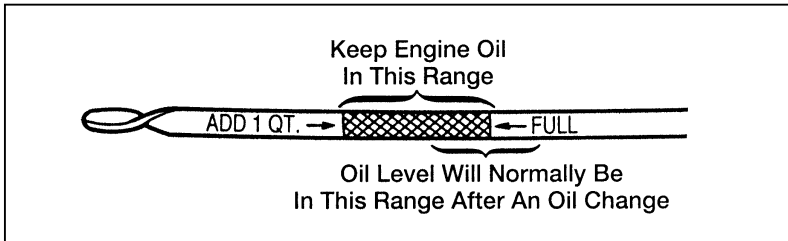
Synthetic engine oils which are **CERTIFIED** and of the preferred viscosity may be used in your engine. The engine oil and oil filter must still be changed according to the maintenance schedule.

Checking and Adding Engine Oil

Since the proper amount of engine oil is important for safe engine operation, check the oil using the dipstick each time you put fuel in your vehicle. Remember the engine must be off, the oil must be warm and the vehicle must be parked on level ground.

Checking the engine oil level:

1. Turn the engine off after it has warmed up and allow a few minutes for the engine oil to drain back into the oil pan.
2. Set the parking brake, making sure the gearshift is securely latched in P (Park).
3. Open the hood. Protect yourself from engine heat.
4. Locate the dipstick labelled “Engine Oil” and carefully pull it out of the engine.
5. Wipe the dipstick clean and put it back into position, making sure it is fully seated.



Engine oil dipstick

6. Carefully, pull the dipstick out again. If the oil level is below the "ADD 1 QT." line, add engine oil as necessary. If the oil level is beyond the letter "F" in FULL, engine damage or high oil consumption may occur and some oil must be removed from the engine.
7. Put the dipstick back in and make sure it is fully seated.

It may be necessary to add some oil between oil changes. Make sure you use a CERTIFIED engine oil of the preferred viscosity. Your vehicle's warranty coverage may not apply if engine damage is caused by the use of improper engine oil.

Add engine oil through the oil filler cap highlighted in yellow. To add oil, remove the filler cap and use a funnel to pour oil into the opening. Be careful not to overfill the engine. Recheck the oil level after you finish adding oil.

Changing the Engine Oil and the Oil Filter

Refer to the *Maintenance Schedule and Record* booklet for additional information.

NOTE: Always dispose of used automotive fluids in a responsible manner. Follow your community's standards for disposing of these types of fluids. Call your local recycling center to find out about recycling automotive fluids.

Servicing Your Windstar

| |
|------------------|
| ⚠ WARNING |
|------------------|

| |
|---|
| Continuous contact with USED motor oil has caused cancer in laboratory mice. |
|---|

Protect your skin by washing with soap and water.

Engine Coolant

Checking the engine coolant

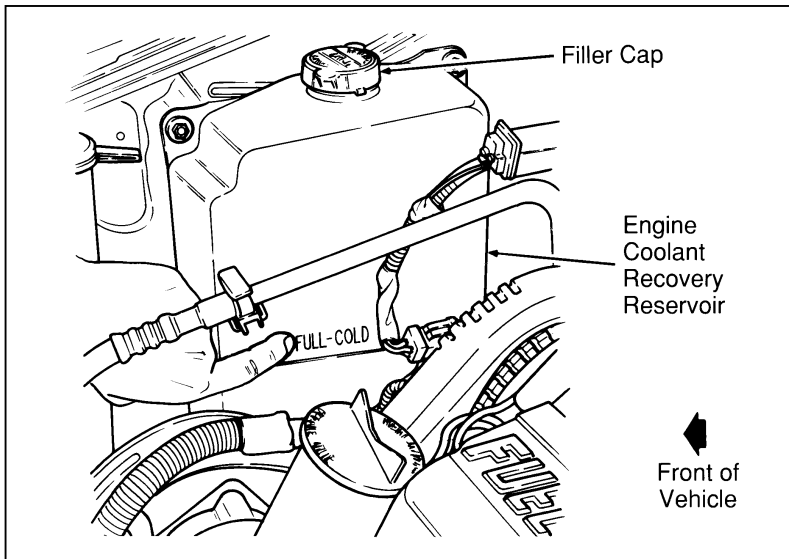
Your vehicle's engine coolant protects the engine from overheating in the summer and from freezing in the winter. Check the level of the engine coolant at least once a month, but preferably each time you stop for fuel. Simply check the coolant reservoir, located in the engine compartment. The coolant should stay slightly above the "FULL COLD" mark.

Adding engine coolant

| |
|------------------|
| ⚠ WARNING |
|------------------|

| |
|--|
| Do not put engine coolant in the container for the windshield washer fluid. |
|--|

If sprayed to clean the glass, engine coolant or antifreeze could make it difficult to see through the windshield.



Engine coolant recovery reservoir fill location

Use Ford Premium Cooling System Fluid or an equivalent engine coolant that meets Ford Specification ESE-M97B44-A. Do not use alcohol or methanol antifreeze and do not use engine coolant mixed with alcohol or methanol antifreeze. If you do not use the proper coolant, the aluminum radiator on your vehicle will corrode.

Whenever you remove the radiator cap, make sure that you also check the condition of the radiator cap rubber seals. Make sure they are clean and free of any dirt. Rinse off with water, if necessary. When you replace the radiator cap, make sure the radiator filler neck seats are clean. Also check that the overflow hose is not kinked or turned in such a way that prevents an easy flow.

Servicing Your Windstar

Never remove the radiator cap while the engine is running or hot. If you must remove the radiator cap, follow these steps to avoid personal injury that can be caused by escaping steam or engine coolant.

1. Turn the engine off and let it cool before removing the radiator cap. You should exercise care when removing the cap, even from a cooled engine.
2. When the engine is cool, wrap a thick cloth around the cap and turn it slowly counterclockwise to the first stop.
3. Step back while the pressure is released.
4. When you are sure that all the pressure has been released, use the cloth to press, turn, and remove cap.
5. Stand away from the radiator opening while removing the cap. Hot steam may blow out or hot engine coolant may splash out.

Freezing Protection

The factory-installed solution of Ford Premium Cooling System Fluid and water will protect your vehicle to -35°F (-37°C). Check the freeze protection rating of the engine coolant at least once a year, just before winter.

Add engine coolant only to the engine coolant recovery reservoir — not to the radiator. If the coolant level is low, add to the engine coolant recovery reservoir a 50/50 mixture of water and the type of engine coolant that Ford specifies. If the coolant recovery reservoir is empty, you should also check the radiator to see if it is low. Check the coolant level again the next few times you drive your vehicle.

Ford Premium Cooling System Fluid is an optimized formula that will protect all metals and rubber elastomers used in Ford engines for four years or 50,000 miles (80,000 km). It is not necessary and not recommended to use supplemental coolant

additives in your gasoline powered vehicle. These additives may harm your engine cooling system. Follow the recommended service interval for changing your engine coolant.

NOTE: When adding to or changing your engine coolant, it is important to maintain a coolant concentration between 40% (-11°F [-24°C]) and 60% (-62°F [-52°C]) depending on your local climate conditions. When coolant concentration falls below 40%, you will lose freeze protection; above 60%, your engine may overheat on a warm day. If coolant concentration is outside this range, you may lose corrosion and rust protection for the metals in your engine cooling system.

NOTE: Do not use an engine coolant that does not meet all 14 requirements of Ford specification ESE-M97B44-A. The use of a coolant that does not meet the 14 requirements may void your warranty for the engine cooling system. Use only a premium, nationally recognized brand name engine coolant.

Ford Motor Company expressly authorizes the Ford Rotunda engine coolant recycling process and chemicals. Use only Ford Rotunda recycled engine coolant or an equivalent non-Ford Rotunda recycled engine coolant that is certified by the supplier to meet Ford specification ESE-M97B44-A.

NOTE: Always dispose of used automotive fluids in a responsible manner. Follow your community's standards for disposing of these types of fluids. Call your local recycling center to find out about recycling automotive fluids.

Leave the coolant in all year. Make sure that the coolant will not freeze at the temperature level in which you usually drive during winter months. Keep an engine coolant in your engine that has a protection rating of at least -20°F (-29°C).

Service Your Windstar

To find out how much engine coolant mixture your vehicle's coolant system can hold, see *Refill Capacities* later in this chapter.

You may add water by itself only in an emergency, but you should replace it with a 50/50 mixture of water and coolant as soon as possible.

Have your dealer check the engine cooling system for leaks if you have to add engine coolant more than once a month, or you have to add more than a quart (liter) at a time.

Checking hoses

Inspect all engine and heater system hoses for deterioration, leaks and loose clamps before adding or replacing engine coolant. Make whatever repairs or replacements are necessary using Motorcraft parts or their equivalents.

Engine coolant drain and flush

To drain and flush your engine coolant, you **MUST** see your Ford dealer or refer to the procedure in the service manual. Failing to do so could result in engine damage.

Battery

The Motorcraft maintenance-free battery does not require additional water during its life of service. The vents are part of the cover and cannot be removed. For longer, trouble-free operation, keep the top of the battery clean and dry. Also, make certain the battery cables are tightly fastened to the battery terminals.

If you see any corrosion on the battery cables or terminals, remove the cables from the terminal and clean them both with a wire brush. You can neutralize the acid with a solution of baking soda and water. Reinstall the cables when you are done cleaning them, and apply a small quantity of grease to the top of each battery terminal to help prevent corrosion.

Battery Replacement

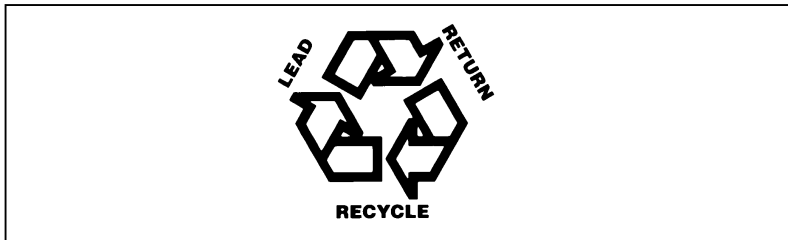
If your original equipment battery requires replacement while under warranty, it may, in some cases, be replaced by a Motorcraft low-maintenance battery. The low-maintenance battery has removable vent caps for checking the electrolyte level and for adding water, if needed.

Check your battery's electrolyte level, at least every 12 months or 12,000 miles (20,000 km), in temperatures up to 90°F (32°C). Keep the electrolyte in each cell up to the "level" indicator. Do not overfill the battery cell.

If the electrolyte level in your battery gets low, you can add plain tap water to the battery, as long as you do not use hard water (water with a high mineral or alkali content). If possible, however, try to only fill the battery cell with distilled water. If the battery needs water often, have the charging system checked.

Help Us Protect Our Environment

Ford Motor Company strongly recommends that used lead-acid batteries be returned to an authorized recycling facility for disposal.



Battery recycling symbol

Servicing Your Windstar

WARNING

The gases around the battery can explode if exposed to flames, sparks, or lit cigarettes. An explosion could result in injury or vehicle damage.

WARNING

Batteries contain sulfuric acid which burns skin, eyes, and clothing.

If the acid touches someone's skin, eyes, or clothing, immediately flush the area with water for at least 15 minutes. If someone swallows the acid, have him or her drink lots of milk or water first, then Milk of Magnesia, a beaten egg, or vegetable oil. Call a doctor immediately.

WARNING

Applying too much pressure on the ends when lifting a battery could cause acid to spill. Lift the battery with a carrier or with your hands on the opposite corners.

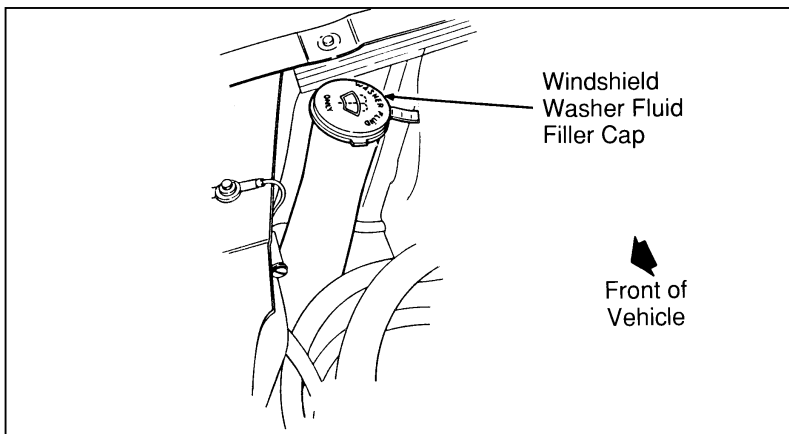
Windshield Washer Fluid and Wipers

Washer Fluid

Check the level of the windshield washer fluid every time you stop for fuel. The reservoir for washer fluid is located on the front, passenger side of the engine compartment. This reservoir contains the fluid for both the windshield and liftgate washers.

WARNING

Do not put windshield washer fluid in the container for the engine coolant.



Windshield washer fill location

Use specially formulated windshield washer fluid rather than plain water, because specially formulated washer fluids contain additives that dissolve road grime. For safety reasons, washer fluids containing an appropriate antifreeze such as methanol should be used in freezing weather (temperatures below 32°F [0°C]). State or local regulations on Volatile Organic Compounds (VOC's) may restrict use of the most common antifreeze, methanol. Washer fluids containing non-methanol antifreeze agents should be used only if they provide cold weather protection without damaging the vehicle's paint finish, wiper blades, and windshield washer system.

⚠ WARNING

Washer solution contains methanol which is poisonous.

When adding windshield washer solution, be sure to observe all warnings indicated on the washer solution container.

Servicing Your Windstar

Wiper Blades

Check the windshield wipers at least twice a year. Also check them whenever they seem less effective than usual. Such substances as tree sap and some hot wax treatments used by commercial car washes reduce the effectiveness of wipers.

If the blades do not wipe properly, clean both the windshield and the wiper blades. Use undiluted windshield washer solution or a mild detergent. Rinse thoroughly with clear water. Do not use fuel, kerosene, paint thinner, or other solvents to clean your wiper blades. These will damage your blades.

Your wipers have a service feature that allows you to pull the wiper arms and blades away from the windshield and into an upright position. This service position allows you easy access to the blades from either side of your vehicle.

To reach the wiper blades easily, turn the ignition switch to ACCESSORY and turn your wipers on. Wait for them to reach a vertical position and turn the ignition to OFF. Moving the wipers manually may damage them.

Replacing the wiper blades

If the wipers still do not work properly after you clean them, you may need to replace the wiper blade assembly. When replacing the wiper blade assembly always use a Motorcraft part or equivalent.

To replace the wiper blades:

1. Pull the wiper arm away from the windshield and lock into the service position.
2. Turn the blade at an angle from the wiper arm. Squeeze the lock tabs of the plastic clip together to release the blade and pull the wiper blade down toward the windshield to remove it from the arm.

-
3. Attach a new wiper blade to the wiper arm and press it into place until you hear it click.

Tires

Look at your tires each time you fill your fuel tank. If one tire looks lower than the others, check the pressure in all of them.

- Keep your tires inflated to the recommended pressures. See *Checking the pressure of the tires* later in this chapter.
- Stay within the recommended load limits. See *Driving with a heavy load* in the Index.
- Make sure the weight of your load is evenly distributed.
- Drive at safe speeds.

If you do not take these precautions, your tires may fail or go flat.

Servicing Your Windstar

WARNING

Always obey posted speed limits. If you drive too fast for road conditions, you could lose control of your vehicle. Under some circumstances, driving at very high speeds for extended periods of time may damage vehicle components, creating a risk of component failure and a potential loss of vehicle control. Any time you lose control of your vehicle, it may result in injury.

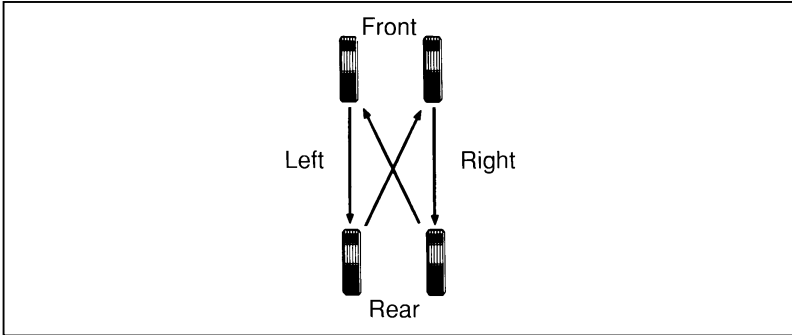
At least once a month, check the pressure in all your tires, including the spare. Use an accurate tire pressure gauge. Check the tire pressure when tires are cold, that is, after the vehicle has been parked for at least one hour or has been driven less than 3 miles (5 km). You can find the proper cold tire pressure on the Safety Compliance Certification Label located on the driver's door pillar.

WARNING

Improperly inflated tires can affect vehicle handling and can fail suddenly, possibly resulting in loss of vehicle control.

Tire Rotation

Because your vehicle's front and rear tires perform different jobs, they often wear differently. To make sure your tires wear evenly and last longer, rotate them at the mileage shown in the *Maintenance Schedule and Record* booklet which came with your vehicle.



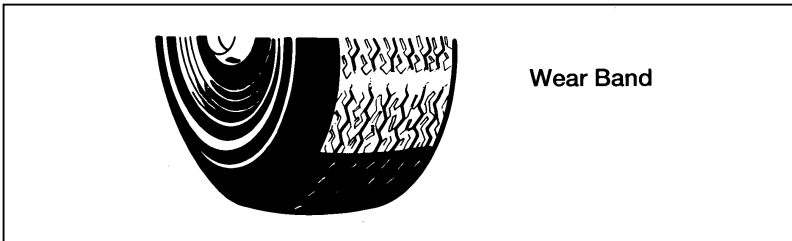
Rotating the tires

If your vehicle has the optional full-size spare tire, you may rotate the spare tire into the rotation pattern.

If your vehicle has aluminum wheels, you may remove the full-size (if equipped) spare tire from the wheel and remount it on an aluminum wheel to rotate the spare tire into your vehicle's rotation pattern.

Replacing the Tires

Replace tires that show wear bands. When your tire shows a wear band, it has only 1/16 of an inch (1.59 mm) of tread left.



A worn-out tire

Servicing Your Windstar

Because your vehicle's tires may wear unevenly, you may need to replace them before a wear band appears across the entire tread. Some spots wear more heavily than others.

⚠️ WARNING

When replacing full size tires, never mix radial, bias-belted, or bias-type tires. Use only the tire sizes that are listed on the tire pressure decal. Make sure that all tires are the same size, speed rating, and load-carrying capacity. Use only the tire combinations recommended on the decal. If you do not follow these precautions, your vehicle may not drive properly and safely.

⚠️ WARNING

Make sure that all replacement tires are of the same size, type, load-carrying capacity, and tread design (e.g. "All Terrain", etc.), as originally offered by Ford.

⚠️ WARNING

Do not replace your tires with "high performance" tires or larger size tires.

⚠️ WARNING

Use of aftermarket wheel assemblies may damage your vehicle or cause accidents resulting in serious injuries.

⚠️ WARNING

Failure to follow these precautions may adversely affect the handling of the vehicle and make it easier to lose control and roll over.

Tires that are larger or smaller than your vehicle's original tires may affect the accuracy of your speedometer and odometer.

Information About Tire Quality Grades

New vehicles are fitted with tires that have their Tire Quality Grade (described below) molded into the tire's sidewall. These Tire Quality Grades are determined by standards that the United States Department of Transportation has set.

Tire Quality Grades apply to new pneumatic tires for use on this vehicle. They do not apply to deep tread, winter-type snow tires, space-saver or temporary use spare tires, tires with nominal rim diameters of 10 to 12 inches (254-305 mm) or limited production tires as defined in Title 49 Code of Federal Regulations Part 575.104(c)(2).

U.S. Department of Transportation — Tire quality grades: The U.S. Department of Transportation requires Ford to give you the following information about tire grades exactly as the government has written it.

Treadwear

The treadwear grade is a comparative rating based on the wear rate of the tire when tested under controlled conditions on a specified government test course. For example, a tire graded 150 would wear one and one-half (1 1/2) times as well on the government course as a tire graded 100. The relative performance of tires depends upon the actual conditions of their use, however, and may depart significantly from the norm due to variations in driving habits, service practices and differences in road characteristics and climate.

Servicing Your Windstar

Traction A B C

The traction grades, from highest to lowest, are A, B, and C, and they represent the tire's ability to stop on wet pavement as measured under controlled conditions on specified government test surfaces of asphalt and concrete. A tire marked C may have poor traction performance. Warning: The traction grade assigned to this tire is based on braking (straight ahead) traction tests and does not include cornering (turning) traction.

Temperature A B C

The temperature grades are A (the highest), B, and C, representing the tire's resistance to the generation of heat and its ability to dissipate heat when tested under controlled conditions on a specified indoor laboratory test wheel. Sustained high temperature can cause the material of the tire to degenerate and reduce tire life, and excessive temperature can lead to sudden tire failure. The grade C corresponds to a level of performance which all passenger car tires must meet under the Federal Motor Vehicle Safety Standard No. 109. Grades B and A represent higher levels of performance on the laboratory test wheel than the minimum required by law. Warning: The temperature grade for this tire is established for a tire that is properly inflated and not overloaded. Excessive speed, underinflation, or excessive loading, either separately or in combination, can cause heat buildup and possible tire failure.

Snow Tires and Chains

The tires on your vehicle have all-weather treads that provide traction in rain or snow. However, during the winter months in some climates, you may need to use snow tires and occasionally chains for your tires.

| |
|------------------|
| ⚠ WARNING |
|------------------|

| |
|---|
| When using snow tires, make sure they are the same size and grade as the tires you normally use on your vehicle. |
|---|

Do not use chains when using a temporary spare. For full size tires, use chains on the tires only in an emergency or if the law requires them where you live. When you use the tire chains:

- Make sure the chains are the right size for your tires. Use only SAE Class “S” chains. Other types may damage your vehicle.
- Put chains on tightly with the ends held down securely. Follow the chain manufacturer’s instructions.
- Drive slowly. If you can hear the chains rub or bang against your vehicle, stop the vehicle and tighten the chains. If you continue to hear the chains rub or bang against your vehicle, remove the chains to prevent damage to your vehicle.
- Avoid fully loading your vehicle if possible.
- Remove tire chains at the first opportunity after using them on snow and ice. Do not use the chains on dry roads.

Limited chain clearance exists with P215/70R15 tires. If your vehicle is equipped with these tires, extra care must be observed to avoid damage with chains.

Be sure:

- The chains are fully tightened
 - The vehicle is driven below 30 MPH (50 km/h)
 - The vehicle is lightly loaded
 - To avoid sharp turns
-

Servicing Your Windstar

Make sure your suspension insulators and bumpers are not missing or worn to avoid damage to your vehicle.

Cleaning the Wheels

Wash the wheels with the same detergent you use to wash your vehicle's body. Do not use acid-based wheel cleaners, steel wool, abrasives, fuel, or strong detergents. These substances will damage protective coatings. Use tar and road oil remover to remove grease and tar.

NOTE: Before going to a car wash, find out if the brushes are abrasive.

Automatic Transaxle Fluid

Under normal circumstances, you need to change the fluid at 30,000 miles (48,000 km) for normal operating conditions or 21,000 miles (34,000 km) for severe duty. However, if the transaxle is not working properly (for example, slipping or shifting slowly), or you notice some sign of fluid leakage, the fluid level should be checked.

It is best to check the transaxle fluid level at normal operating temperature, after approximately 20 miles (30 km) of driving. However, if necessary, you can check the fluid level without having to drive 20 miles (30 km) to obtain a normal operating temperature if outside temperatures are above 50°F (10°C).

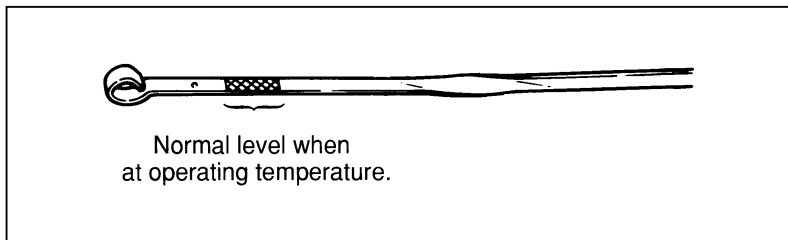
NOTE: If the vehicle has been operated for an extended period at high speeds or in city traffic during hot weather, or if it has been pulling a trailer, the engine should be turned off for about 30 minutes to allow the fluid to cool before checking.

Checking the Automatic Transaxle Fluid

With the vehicle on a level surface, start the engine and move the gearshift lever through all of the gear ranges allowing sufficient time for each position to engage. Securely latch the gearshift lever in the P (Park) position, fully set the parking brake and leave the engine running.

Wipe off the dipstick cap, pull the dipstick out and wipe the indicator end clean. Put the dipstick back into the filler tube and make sure it is fully seated. Pull the dipstick out and read the fluid level.

When checking fluid at normal operating temperature, the fluid level should be within the crosshatched area on the dipstick.



The automatic transmission dipstick

NOTE: Your vehicle should not be driven until some fluid has been added if the fluid level is below the bottom hole on the dipstick and the outside temperature is above 50°F (10°C). Add only enough fluid to bring the level above the bottom hole. The fluid level should be rechecked at normal operating temperature.

Servicing Your Windstar

Adding Automatic Transaxle Fluid

The fluid type is stamped on the dipstick. Before adding any fluid, be sure that the correct type will be used.

Add fluid in 1/2 pint (0.25 liter) increments through the filler tube to bring the level to the correct area on the dipstick. If an overfill occurs, excess fluid should be removed by a qualified technician.

NOTE: Always dispose of used automotive fluids in a responsible manner. Follow your community's standards for disposing of these types of fluids. Call your local recycling center to find out about recycling automotive fluids.

NOTE: Always use Motorcraft MERCON® or equivalent MERCON® automatic transaxle fluid when you refill your automatic transaxle fluid.

Brake Fluid

Your vehicle is equipped with a brake fluid level indicator in the master cylinder which lights the BRAKE warning light on the instrument panel when the brake fluid level is low.

Under normal circumstances, your vehicle should not use up brake fluid rapidly. However, expect the level of the brake fluid to slowly fall as you put more mileage on your vehicle and the brake pads wear.

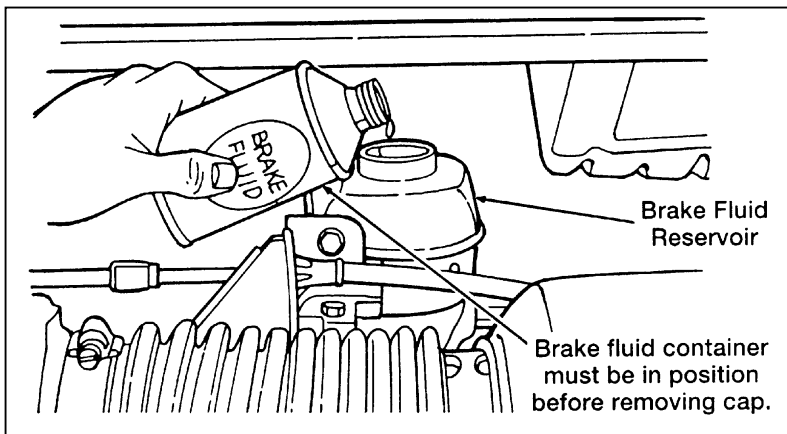
Check the brake fluid at least once a year. You can do this by looking at the fluid level in the plastic reservoir on the master cylinder. The fluid level should be at or near the MAX mark.

| |
|--|
|  WARNING |
|--|

| |
|------------------------------|
| Brake fluid is toxic. |
|------------------------------|

If brake fluid contacts eyes, flush eyes with running water for 15 minutes. Get medical attention if irritation persists. If taken internally, drink water and induce vomiting. Get medical attention immediately.

If the fluid is low, carefully clean and remove the filler cap from the reservoir. Fill the reservoir to the MAX line with Ford High Performance DOT 3 Brake Fluid C6AZ-19542-AA or DOT 3 equivalent fluid meeting Ford specification ESA-M6C25-A.



The brake fluid reservoir

⚠ WARNING

If you use a brake fluid that is not DOT 3, you will cause permanent damage to your brakes.

Do not fill the reservoir above the MAX line.

If you find that the fluid level is excessively low — below the seam or ridge on the outside of the plastic reservoir — have the brake system inspected.

Servicing Your Windstar

| |
|--|
|  WARNING |
|--|

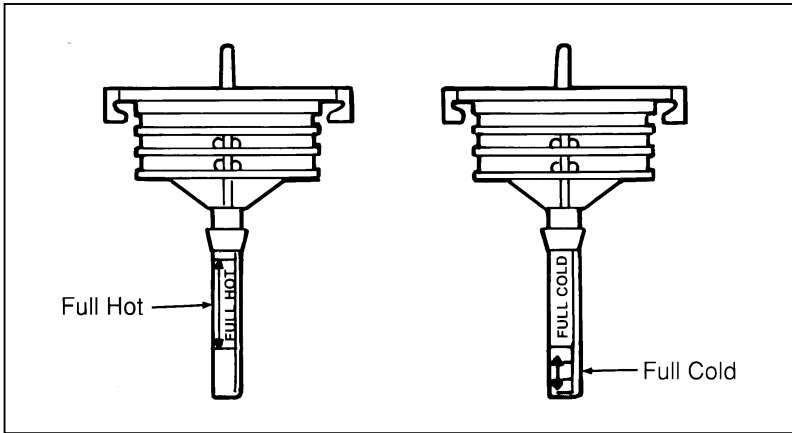
| |
|---|
| Do not let the reservoir for the master cylinder run dry. This may cause the brakes to fail. |
|---|

Power Steering Fluid

Check the level of the power steering fluid at least twice a year (i.e., every Spring and Fall).

To check the level of your power steering fluid:

1. Start the engine and let it run until the power steering fluid reaches normal operating temperature. The power steering fluid will reach the right temperature after at least five minutes of idling or at least one mile (1 km) of driving.
2. While the engine idles, turn the steering wheel back and forth several times. Make sure that the cap assembly is installed at this time.
3. Then turn the engine off.
4. Check the fluid level in the power steering fluid reservoir.



The power steering fluid cap

5. If the power steering fluid is low, add fluid in small amounts, continuously checking the level, until the fluid is between the minimum (MIN) and maximum (MAX) lines on the dipstick. Do not overfill.
6. Make sure the cap is free of all dirt prior to re-installing to prevent pump damage.

Use only power steering fluid that meets Ford Specification ESW-M2C33-F, such as Ford Premium Power Steering Fluid, E6AZ-19582-AA or an equivalent Type F Automatic Transaxle Fluid with a Ford registration number (an 8-digit number beginning with "2P" printed on the fluid container).

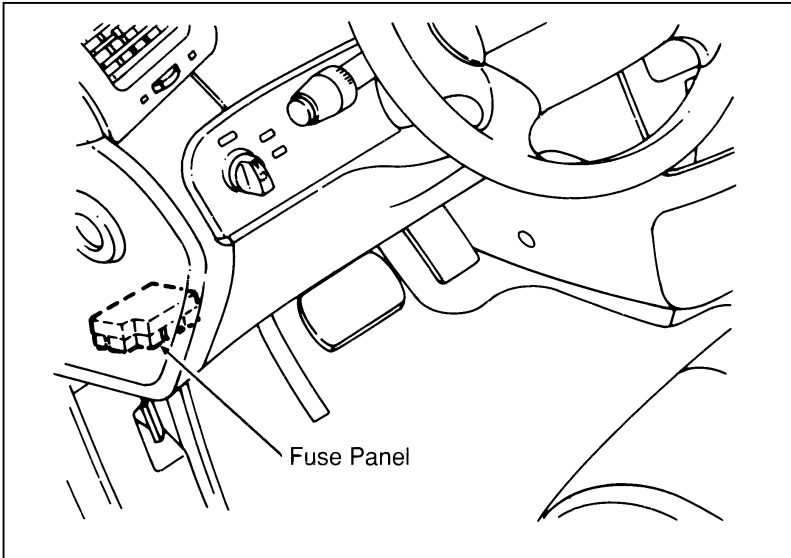
NOTE: If the power steering fluid is low, do not drive your vehicle for a long period of time before adding fluid. This can damage the power steering pump.

If you must check the power steering fluid when it is cold, make sure that the fluid reaches at least the minimum (MIN) mark. The reading will only be accurate if the fluid temperature is approximately 70° to 100°F (21° to 38°C).

Servicing Your Windstar

Fuses and Maxi-Fuses

Fuses and maxi-fuses (high-current fuses) protect your vehicle's electrical system from overloading. If electrical parts in your vehicle are not working, the system may have been overloaded and caused a blown fuse. Before you replace or repair any electrical parts, check the appropriate fuses.



Fuse panel location

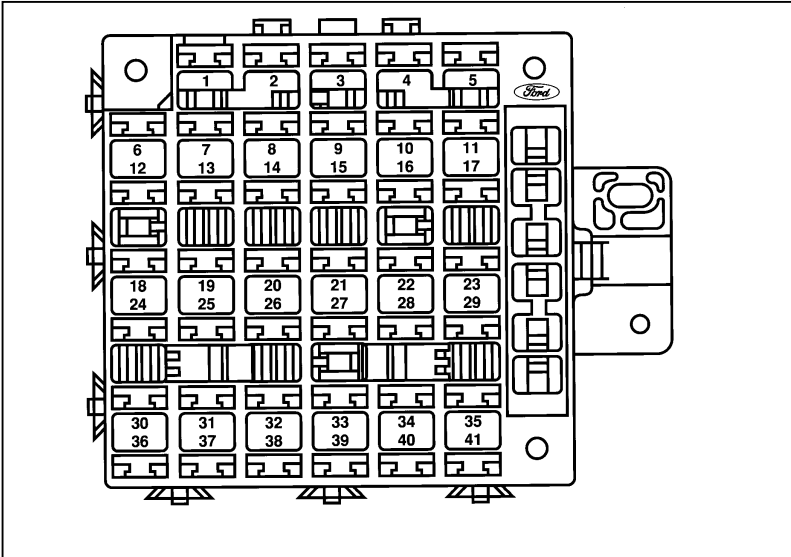
The following charts tell you which fuses protect each electrical part of your vehicle. If a fuse blows (opens) a circuit, all the parts of your vehicle that use that circuit will not work.

Once you have determined which fuses to check, follow the procedures under *Checking and replacing fuses*.

NOTE: Fuse links should only be repaired by your dealer.

Servicing Your Windstar

2. On the fuse panel, find the number of the fuse you want to check.



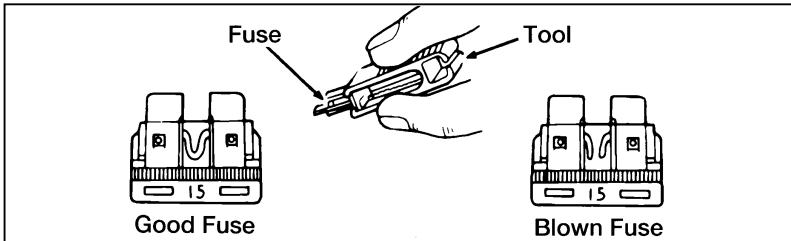
Main fuse panel under instrument panel

| Fuse | Name | Amps | Circuit Protection |
|-------------|------------------------|-------------|---|
| 1 | Power Mirror | 10 | Power mirror/Anti-theft warning lamp/ Diagnostic conn power |
| 2 | Prove Out | 10 | L.H. Tail, Stop, Park lamps |
| 3 | Dimmer Illumination | 5 | Instrument cluster/Radio remote radio/Cigar lighter/Headlamp graphics/Heated backlight switch/Heater controls/Power locks/Power windows/Rear wiper switch/Rear heater/Fog lamp switch |
| 4 | Side Lamp | 10 | Side marker lamps |
| 5 | Headlamp | 20 | Headlamp washer |
| 6 | Quarter Flip Window | 15 | Left quarter flip window/Right quarter flip window |
| 7 | Stoplamp | 15 | High mount brakelamp/Right stoplamp/Left stemplamps/EEC/Brake shift interlock/Speed control |
| 8 | Audio/ Amp | 10 | R.H. Tail, Stop, Park lamps |
| 9 | — | — | Not used |
| 10 | Hi-beam | 10 | High beam indicator (electronic instrument cluster only) |
| 11 | Park Lamps | 15 | Park lamps |
| 12 | Run/ Acc | 10 | GEM/Anti-theft module/Keyless entry module/Lamp outage module/Radio receiver/ Remote radio/ Lamp outage module lamp |
| 13 | Audio | 15 | Radio/CD disk changer |
| 14 | Run/Start | 5 | Instrument cluster/Electrochromic mirror |
| 15 | GEM | 15 | GEM |
| 16 | Horn | 15 | Horn/Horn relay (coil) |
| 17 | Fog Lamp | 15 | Front fog lamps |
| 18 | Front Wiper | 25 | Wiper relays/Wiper/Washer pump |
| 19 | GEM | 10 | GEM/Electronic cluster |
| 20 | Ignition | 25 | Ignition coil/Ignition capacitor/IRCM |
| 21 | Run | 10 | A/C clutch/Brake shift interlock/Heated back- light relay (coil)/Blend door motor, electronic cluster/Airbag diagnostic module |
| 22 | Rear Cigar | 20 | Rear cigar lighter/Power plug |

Servicing Your Windstar

| Fuse | Name | Amps | Circuit Protection |
|------|-----------------------|------|---|
| 23 | Flash to Pass | 15 | Wipers and Flash to Pass |
| 24 | Rear Wiper | 20 | Rear wiper motor/Rear washer pump |
| 25 | Hazards | 10 | Turn lamps/Turn indicator R (cluster) |
| 26 | Lamps | 10 | L.H. Aero headlamp |
| 27 | DRL | 15 | Daytime running lamps |
| 28 | Front Cigar | 15 | Front cigar lighter |
| 29 | Interior Illumination | 15 | Battery saver relay (coil)/Interior lamp relay (coil)/Delayed accessory relay (coil)/Visor lamps/Underhood lamp/Glove box lamp/2nd row reading lamp/Rail lamp/B-pillar lamp/Cargo lamp/Dome lamp/Courtesy lamps/Puddle lamps/Keyhole lamps/Keyless entry module |
| 30 | Speed Control | 25 | Speed control/Brake pressure switch |
| 31 | Load Leveling | 10 | Load leveling compressor/Left and right spring solenoid |
| 32 | Lamps | 10 | R.H. Aero headlamp |
| 33 | ABS | 15 | ABS module/ABS relay |
| 34 | Left Window | 30 | Left power window/One-touch down relay (coil) |
| 35 | Anti-theft | 15 | Anti-theft module |
| 36 | Blower | 30 | AC mode switch |
| 37 | Power Door Locks | 20 | Power door lock motors |
| 38 | Mirror | 15 | Heated mirrors |
| 39 | Rear Blower | 30 | Rear heater blower motor |
| 40 | Right Window | 30 | Right power window |
| 41 | — | — | Not used |
| 42 | — | — | Not used |
| 43 | — | — | Not used |
| 44 | — | — | Not used |

-
- Use the fuse puller tool to remove the fuse.
 - Check the fuse to see if it is blown. Look through the clear side of the fuse to see if the metal wire inside is separated. If it is, the fuse is blown and should be replaced with a fuse of the correct amperage rating.



Fuse puller tool and fuse

⚠ WARNING

Always replace a fuse with one that has the specified amperage rating. Using a fuse with a higher amperage rating can cause severe wire damage and could start a fire.

- Put the fuse panel cover back on.

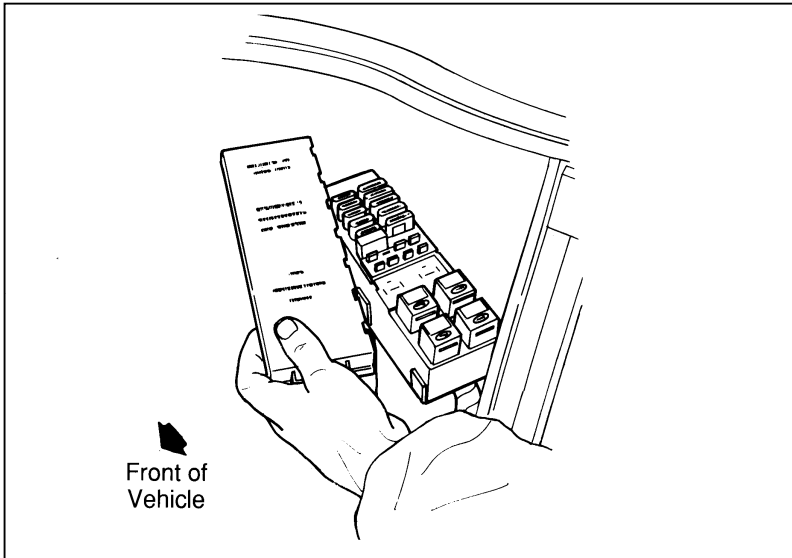
Even after you replace a fuse, it will continue to blow if you do not find what caused the overload. If the fuse continues to blow, have your electrical system checked.

Servicing Your Windstar

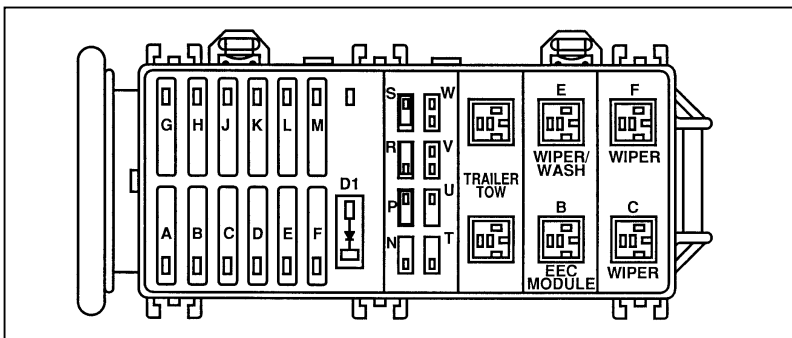
The following chart indicates the colors and amperage ratings of standard fuses.

| Instrument Panel Fuse Color | Amperage |
|------------------------------------|-----------------|
| Gray | 2A |
| Pink | 4A |
| Tan | 5A |
| Brown | 7.5A |
| Red | 10A |
| Blue | 15A |
| Yellow | 20A |
| Natural | 25A |
| Green | 30A |
| High Current Fuse Color | Amperage |
| Yellow | 20A |
| Green | 30A |
| Orange | 40A |
| Red | 50A |
| Blue | 60A |

Engine Compartment Main Fuse Panel



Engine compartment main fuse panel located on driver's side of engine compartment



Engine compartment main fuse and relay panel

Servicing Your Windstar

| Fuse | Name | Amps | Circuit Protection |
|--------------|-------------------------------|---------------------------|---|
| A | Trailer tow | 50 | Trailer towing |
| B | Fan-Hi | 60 | Engine cooling fans |
| C | Start | 60 | Starter solenoid/fuse 30/ fuse 36/fuse 2 |
| D | Ignition | 60 | Fuse 6/fuse 12/fuse 8/fuse 18/fuse 14/ fuse 24/fuse 20/fuse 21/fuse 27/fuse 33 |
| E | Rear blower/ Load leveling | 60 | Rear heater blower motor/ fuse 39/Air suspension |
| F | Seat | 60 | Power seats |
| G | — | — | Not used |
| H | Fan-Lo | 40 | Engine cooling fans |
| J | Battery | 60 | Fuse 13/fuse 25/fuse 1/fuse 34/fuse 37/fuse 40/fuse 7/fuse 19/fuse 4 |
| K | Light | 60 | Headlamps/fuse 10/fuse 11/fuse 3/ fuse 9/fuse 23/fuse 29/fuse 35/fuse 41 |
| L | ABS | 60 | ABS control/pump motor module |
| M | Heated backlight | 60 | Heated backlight/fuse 16/fuse 28/fuse 22/fuse 38 |
| N | Fuel | 20 | PCM/Fuel pump |
| P | — | — | Not used |
| R | PCM | 15 | PCM memory |
| S | PCM (3.8L) | 30 | Axode/cylinder identification sensor/ EDIS module/ PCM power/ EGR control/HEGO's/IAC/injectors/ MAFS/VMV |
| T | Alt/Reg | 15 | Internal alternator regulator |
| U | Airbag | 10 | Airbag power |
| V | Trans light | 10 | Overdrive off indicator light |
| W | Fan | 10 | PCM fan monitor |
| Diode | | Circuit protection | |
| D1 | | Hood switch | |

⚠ WARNING

Always disconnect the battery before servicing high current fuses.

Ford recommends that high current fuses be replaced by a qualified technician.

⚠ WARNING

Always replace the cover to the Power Distribution Box before reconnecting the battery or refilling fluid reservoirs.

A blown maxi-fuse may be replaced but will continue to blow until the cause of the overload condition is corrected.

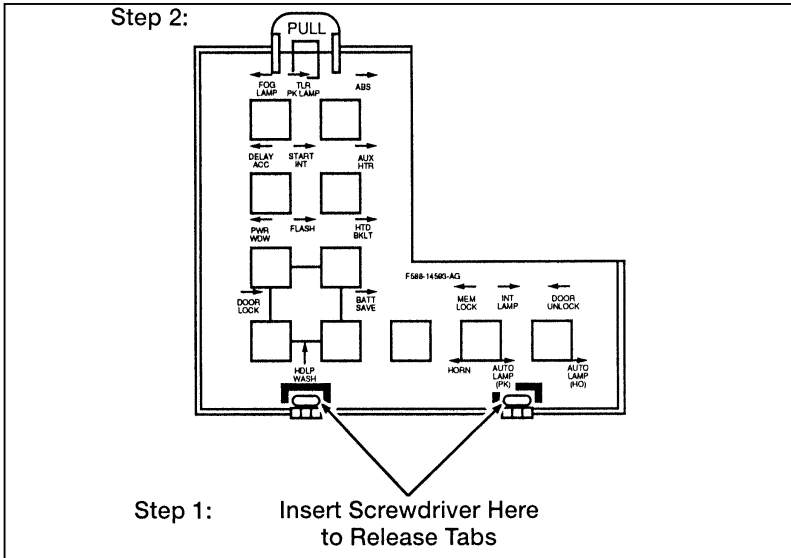
⚠ WARNING

Always replace a fuse with one that has the specified amperage rating. Using a fuse with a higher amperage rating can cause severe wire damage and could start a fire.

Relays

Relays are devices which receive signals from components or systems. After receiving signals, relays transfer these signals to activate or deactivate other components or systems. One relay box is located with the maxi-fuses near the battery and one is located with the fuse panel under the instrument panel.

Servicing Your Windstar



The relay box cover located under the instrument panel

Lights

It is a good idea to check the operation of the following lights frequently:

- headlamps
- tail lamps
- brakelamps
- hazard flasher
- turn signals
- license plate lamp
- fog lamps

The alignment of your headlamps should be checked if:

- oncoming motorists frequently signal you to turn off your vehicle's high beams when you do not have the high beams on
- the headlamps do not seem to give you enough light to see clearly at night
- the headlamp beams are not pointed slightly down and to the right

Replacing the Headlamp Bulb

The headlamps on your vehicle use replaceable bulbs. When the lamp burns out, simply replace the bulb, rather than the whole lamp.

| |
|--|
|  WARNING |
|--|

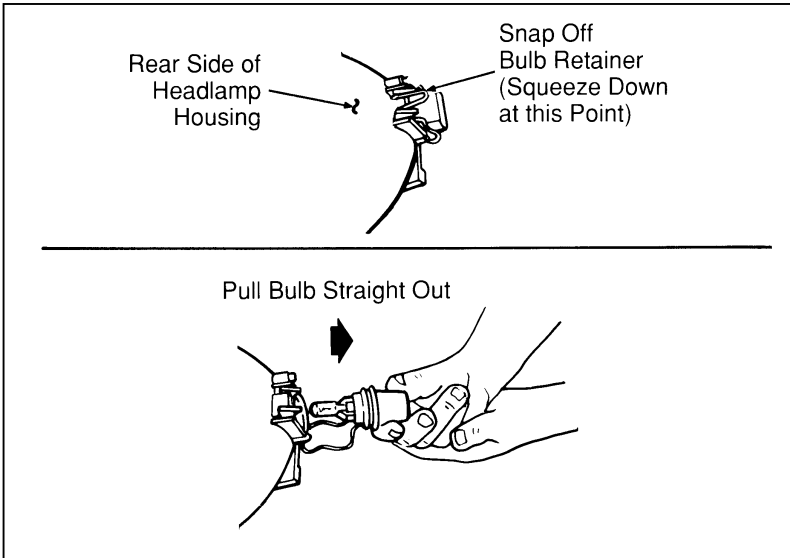
| |
|---|
| <p>Handle a halogen headlamp bulb carefully and keep out of children's reach. Grasp the bulb only by its plastic base and do not touch the glass. The oil from your hand could cause the bulb to break the next time the headlamps are operated.</p> |
|---|

Do not remove the burned out bulb unless you can immediately replace it with a new one. If a bulb is removed for an extended period of time, contaminants may enter the headlamp and affect its performance.

To remove the headlamp bulb:

1. Make sure that the engine is off and the headlamp switch on the instrument panel is in the OFF position.
2. Lift the hood and locate the headlamp bulb installed in the rear of the headlamp. Remove the electrical connector from the bulb by pulling the connector away from the bulb assembly.

Servicing Your Windstar



Headlamp bulb removal

3. Squeeze the bulb retaining clip toward the bulb until it releases. **Keep the clip.** You must use it again to hold the new bulb in place.
4. Carefully remove the bulb assembly from its socket by gently pulling it rearward without turning.
5. Do not touch the bulb with your skin or you could shatter the bulb. Always grasp the bulb assembly from the plastic base.
6. Be sure that you have the proper replacement bulb ready before you discard the burned out bulb.

To install a bulb:

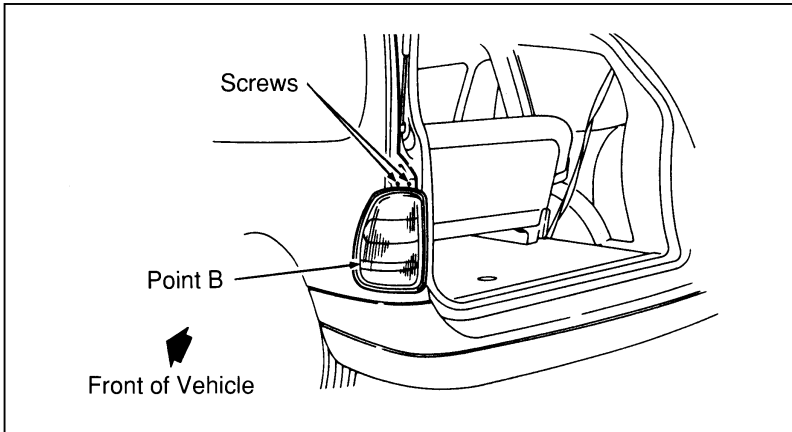
1. With the flat side of the bulb's plastic base facing upward, insert the glass end of the bulb into the socket. You may need to turn the bulb left or right to line up the grooves in the plastic base with the tabs in the socket. When the grooves are aligned, push the bulb into the socket until the plastic base contacts the rear of the socket. Do not touch the glass with your fingers.
2. Snap the retaining clip over the plastic base.
3. Push the electrical connector into the rear of the plastic base until it snaps, locking it into place.
4. Turn the headlamps on and make sure that they work properly. If the headlamp was correctly aligned before you changed bulbs, you should not need to align it again.

Replacing the Taillamp Bulbs

To remove a bulb:

1. Open the liftgate.
2. Remove two screws along top edge of taillamp lens.
3. Grasp lens with fingers at point B and pull side of lens out until snap attachment releases.

Servicing Your Windstar

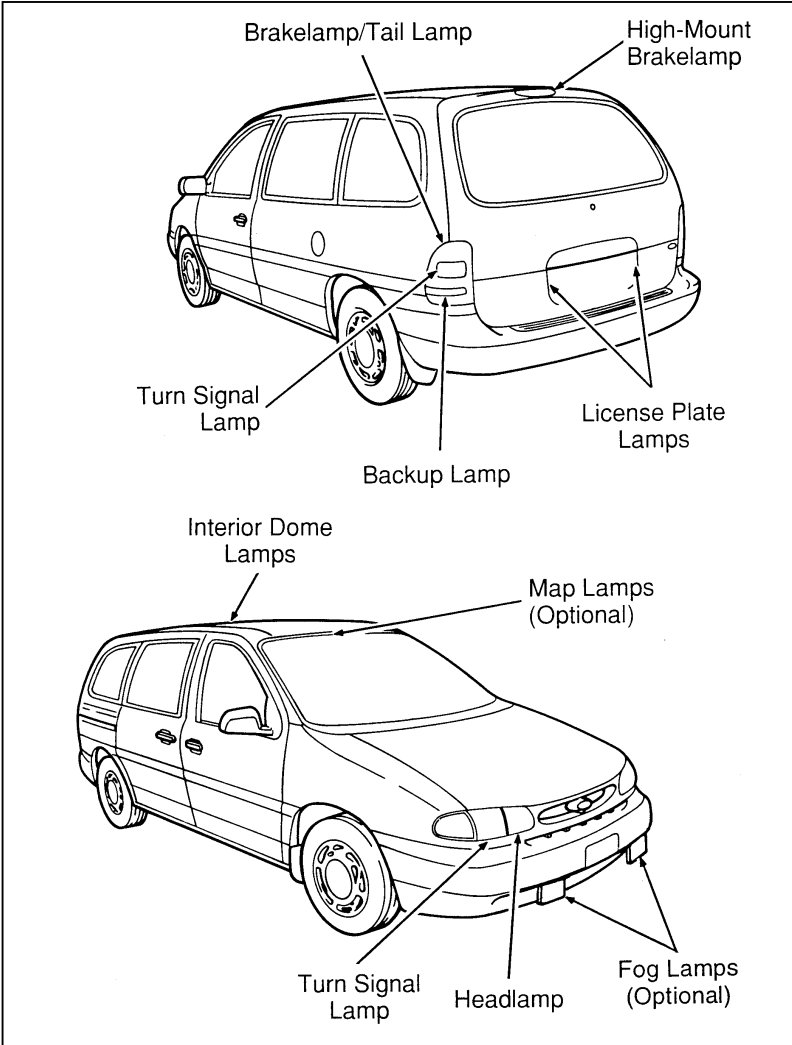


Taillamp lens removal

4. Grasp lens along liftgate opening edge and pull straight rearward until snap attachment releases.
5. Remove bulb and socket by twisting to unlock and pulling straight out.
6. Remove bulb from socket by pulling straight out from socket.

To install a taillamp bulb:

1. Insert new bulb into socket by pushing bulb until it is locked in position.
2. Install socket into lamp by aligning socket to lamp and turning clockwise until locked in place.
3. Align pins along liftgate edge with holes in body and snap attachment into retainer.
4. Rock lens around on outer edge and snap in second snap attachment.
5. Replace two screws along top edge of lens.



Light bulb locations

Servicing Your Windstar

Replacing The Fog Lamp Bulb

To remove a bulb:

1. Disconnect wiring connector from lamp.
2. Rotate bulb and socket to remove from lamp.

To install a bulb:

1. Install bulb and socket into lamp and rotate.
2. Connect wiring connector to lamp.

Bulb replacement chart

| Function | Trade Number |
|-------------------------------|---------------------|
| Front park/Turn lamp | 3157-NAK |
| Headlamps — high and low beam | 9007 |
| Front side marker lamp | 916-NA |
| Rear license plate lamp | 168 |
| High-mount brakelamp | 912 |
| Brakelamp/Tail lamp | 3157K |
| Backup lamp | 3156K |
| Cargo lamp | T-562 |
| Rear turning lamp | 3156K |
| Dome lamp | 912 |
| Map lamps/Dome lamp (opt.) | 578 |
| Underhood lamp | 906 |
| Stepwell lamp | T-562 |
| Front seat footwell | 194 |
| Door mounted courtesy lamp | 168 |
| Cigar lighter illumination | 194 |
| Headlamp switch illumination | 194 |
| Second row reading lamp | 578 |
| Fog lamps | 899 |

NA = Amber color

Servicing Your Windstar

Emission Control System

Your vehicle is equipped with a catalytic converter which enables your vehicle to comply with applicable exhaust emission requirements.

To make sure that the catalytic converter and the other emission control parts continue to work properly:

- Use only unleaded fuel.
- Avoid running out of fuel.
- Never turn off the ignition while your vehicle is moving, especially at high speeds.
- Have the services listed in your *Maintenance Schedule and Record* booklet performed according to the specified schedule.

| |
|--|
|  WARNING |
|--|

| |
|--|
| <p>Do not park, idle, or drive your vehicle in dry grass or other dry ground cover. The emission system heats up the engine compartment and exhaust system, which can start a fire.</p> |
|--|

| |
|--|
|  WARNING |
|--|

| |
|--|
| <p>Do not remove the floor carpet in your vehicle. Emission controls cause high exhaust temperatures under the floor.</p> |
|--|

⚠ WARNING

Exhaust leaks may result in the entry of harmful and potentially lethal fumes into the passenger compartment. Under extreme conditions excessive exhaust temperatures could damage the fuel system, the interior floor covering, or other vehicle components, possibly causing a fire.

The Scheduled Maintenance Services listed in the *Maintenance Schedule and Record* booklet are required because they are considered essential to the life and performance of your vehicle and to its emissions system.

Watch for fluid leaks, strange odors, smoke and loss of oil pressure. Also watch for the charge warning light, the check engine light, or the temperature warning light. These sometimes indicate that the emission system is not working properly.

Do not make any unauthorized changes to your vehicle or engine. Changes that cause more unburned fuel to reach the exhaust system can increase the temperature of the engine or exhaust system.

By law, anyone who manufactures, repairs, services, sells, leases vehicles, trades vehicles, or supervises a fleet of vehicles is not permitted to intentionally remove an emission control device or prevent it from working. In some of the United States and in Canada, vehicle owners may be liable if their emission control device is removed or is prevented from working.

In general, maintenance, replacement, or service of the emission control devices or systems in your new Ford Motor Company vehicle or engine may be performed at your expense by any automotive repair establishment or individual using automotive parts equivalent to those with which your vehicle or engine was originally equipped.

Servicing Your Windstar

Ford strongly recommends the use of genuine Ford replacement parts. If other than Ford or Motorcraft parts or Ford authorized remanufactured parts are used for maintenance replacements or for the service of components affecting emission control, such non-Ford parts should be equivalent to genuine Ford Motor Company parts in performance and durability. It is the owner's responsibility to determine the equivalency of such parts. Please consult your warranty booklet for complete warranty information.

Never use a metal exhaust collector when you service your vehicle. If the metal collector contacts any of your vehicle's plastic trim or bumper parts they could melt or deform.

Do not drive your vehicle if it does not operate properly. See your dealer if the engine runs on for more than five seconds after you shut it off or if it misfires, surges, stalls, or backfires.

Information about your vehicle's emissions control system is on the Vehicle Emission Control Information decal located on or near the engine. This decal identifies engine displacement and gives some tune-up specifications.

Readiness for Inspection/Maintenance Testing

In some localities it may become a legal requirement to pass an Inspection/Maintenance (I/M) test of the On-Board Diagnostic (OBD) II system. If the vehicle's powertrain system or its battery has just been serviced, the OBD II system is reset to a not ready for I/M testing condition. To prepare for I/M testing, the law specifies a "need for additional mixed city and highway driving to complete the check" of the OBD II system. As soon as all of the OBD II system checks are successfully completed, the OBD II system is set to the ready condition. The amount of driving required to reach the ready condition varies with individual driving patterns. To complete this requirement in the minimum amount of time, refer to the OBD II Drive Cycle defined below. If the vehicle owner cannot or does not want to do the additional driving required by law, a service center can perform this drive cycle as it would any other type of repair work.

OBD II Drive Cycle

The following steps must be run in the order shown. If steps 2 through 9 are interrupted, repeat the preceding step. Any safe driving mode is acceptable between steps.

Always drive vehicle in a safe manner according to traffic conditions and obey all traffic laws.

1. Start engine and drive until engine has reached normal operating temperature.
2. Idle vehicle for at least 80 seconds, then accelerate at part throttle to near 45 mph (70 km/h).
3. Drive to accumulate at least four (4) minutes in the range of 30-45 mph (50-70 km/h). If stop and go conditions occur, the accumulative time must be within the 30-45 mph (50-70 km/h) range. No wide open throttle conditions should be encountered.
4. Cruise and maintain a select speed in the range of 30-40 mph (50-65 km/h) on a level road with throttle held very steady for at least one (1) minute.
5. Decelerate and idle for at least 80 seconds.
6. Accelerate to 55 mph (90 km/h) at 1/2 throttle.
7. Decelerate at closed throttle for 10 seconds.

Servicing Your Windstar

8. Cruise and maintain a select speed in the range of 40-65 mph (65-105 km/h) on a level road with throttle held very steady for at least 80 seconds.
9. Complete 10 minutes of city driving 25-40 mph (40-65 km/h) with at least six (6) stops.
10. OBD II drive cycle has been completed. Vehicle can be turned off when convenient.

Refill Capacities

| Engine | 3.0L | | 3.8L | |
|----------------------------|------------|-------------|------------|-------------|
| | U.S. | Metric | U.S. | Metric |
| Cooling system | | | | |
| Without rear heater | 12.0 qts. | 11.3 liters | 12.0 qts. | 11.3 liters |
| With rear heater | 14.0 qts. | 13.2 liters | 14.0 qts. | 13.2 liters |
| Engine oil | | | | |
| With filter change | 4.5 qts. | 4.3 liters | 4.5 qts. | 4.3 liters |
| Without filter change | 4.0 qts. | 3.8 liters | 4.0 qts. | 3.8 liters |
| Automatic transaxle fluid | 12.25 qts. | 11.6 liters | 12.25 qts. | 11.6 liters |
| Fuel tank (gallons/liters) | | | | |
| LX | 25.0 gals. | 94.6 liters | 25 gals. | 94.6 liters |
| GL (Standard) | 20.0 gals. | 75.7 liters | 20 gals. | 75.7 liters |
| GL (Optional) | 25.0 gals. | 94.6 liters | 25 gals. | 94.6 liters |

Motorcraft Parts

| Component | Part Number | |
|-------------|-----------------------------|---------------|
| | 3.0L | 3.8L |
| Air filter | FA-1043 | FA-1616 |
| Battery | | |
| Standard | BX-58C | BXT-65-650 |
| Optional | BXT-65-650 BXT-65-850*** | BXT-65-850 |
| Fuel filter | FG-872 | FG-872 |
| Oil filter | FL-400A | FL-400A |
| Spark plug* | AWSF-32PP** | AWSF-42EE**** |
| PCV valve | EV-155 | EV-152 |

*Torque to 7-15 ft-lb (9.5-20 N·m)

** If any spark plug needs to be removed for examination, each spark plug removed must be reinstalled in the same cylinder. Cylinders #1, #2, and #3 have a "PC" suffix. Cylinders #4, #5, and #6 have a "P" suffix. If any spark plug needs to be replaced, use only spark plugs with the service part number suffix letters "PP" as shown on the engine decal.

*** Required for dual A/C 3.0L

**** If any spark plug needs to be removed for examination, each spark plug removed must be reinstalled in the same cylinder. Cylinders #1, #2, and #3 have a "EG" suffix. Cylinders #4, #5, and #6 have a "E" suffix. If any spark plug needs to be replaced, use only spark plugs with the service part number suffix letters "EE" as shown on the engine decal

Servicing Your Windstar

Lubricant Specifications

| ITEM | FORD PART NAME | FORD PART NO. | FORD SPECIFICATION |
|--|--|------------------|---|
| Brake Master Cylinder | Ford High Performance DOT3 Brake Fluid | C6AZ-19542-AA | ESA-M6C25-A |
| Door Weatherstrips | Silicone Lubricant | COAZ-19553-AA | ESR-M13P4-A |
| Engine Coolant | Ford Premium Cooling System Fluid | E2FZ-19549-AA | ESE-M97B44-A |
| Engine Oil | Motorcraft Super Premium 5W30 | XO-5W30-QSP | ESE-M2C153-E and API Certification Mark |
| Hood Latch and Auxiliary Catch, Door and Liftgate Hinges | Multi-Purpose Grease Spray | D7AZ-19584-AA | ESR-M1C159-A and ESB-M1C93-A |
| Power Steering Pump Reservoir | Motorcraft Type F Power Steering Fluid | E6AZ-19582-AA | ESW-M2C33-F |
| Transaxle Automatic Overdrive | Motorcraft MERCON® | XT-2-QDX | MERCON® |
| Wheel Bearings, Rear | Motorcraft Premium Long Life Grease | XG-1-C or XG-1-K | ESA-M1C75-B |

Vehicle Storage

Maintenance Tips

If you plan on storing your vehicle for an extended period of time (60 days or more), refer to the following maintenance recommendations to keep your vehicle in good operating condition.

General

- Store your vehicle in a dry, ventilated place.
- Protect from sunlight, if possible.
- When your vehicle is stored outside, it will require regular maintenance to protect against rust and damage.

Body

- Wash your vehicle thoroughly to remove dirt, grease, oil, tar or mud from exterior surfaces, rear wheel housings and underside of front fenders.
- Touch-up raw or primed metal to prevent rust.
- Cover chrome and stainless steel parts with a thick coat of auto wax to prevent discoloration. Re-wax as necessary when your vehicle is washed.
- Lubricate all hood, door and liftgate hinges and latches with a light grade oil.
- Cover interior soft trim to prevent fading.
- Keep all rubber parts free from oil and solvents.

Servicing Your Windstar

Engine

- Start the engine every fifteen days. Run it at fast idle until it reaches normal operating temperature.
- With your foot on the brake, shift the transaxle into all gears while the engine is running.

Fuel system

- Fill fuel tank with high-quality unleaded fuel until the first automatic shutoff of the fuel pump nozzle.

| |
|--|
|  WARNING |
|--|

| |
|---|
| <p>The fuel filter, fuel supply lines and engine are maintained under pressure. This pressure must be relieved prior to servicing the fuel filter and engine compartment connections in order to avoid the danger of fuel spray.</p> |
|---|

NOTE: During extended periods of vehicle storage (60 days or more), fuel may deteriorate due to oxidation. This can damage rubber and other polymers in the fuel system and may also clog small orifices.

Ford Gas Stabilizer should be added whenever actual or expected storage periods exceed 60 days. Follow the instructions on the label. The vehicle should then be operated at idle speed to circulate the additive throughout the fuel system.

A volatile corrosion inhibitor added to the fuel system will protect the fuel system's inner surfaces from corrosion. Follow the instructions packaged with the product.

| |
|------------------|
| ⚠ WARNING |
|------------------|

| |
|--|
| Fuel system components may be damaged by torches and welding equipment. |
|--|

Cooling system

- Protect your vehicle against freezing temperatures.

Battery

- Check and recharge the battery as necessary.
- Keep connections clean and covered with a light coat of grease.

Brakes

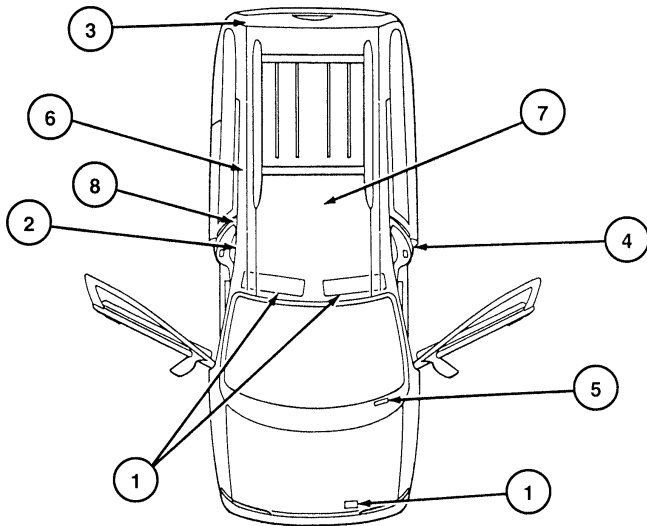
- Make sure the brakes and parking brake are fully released.

Tires

- Maintain recommended air pressure.

Miscellaneous

- Make sure all linkages, cables, levers and clevis pins under the vehicle are covered with grease to prevent rust.
- Lubricate working parts to prevent corrosion.

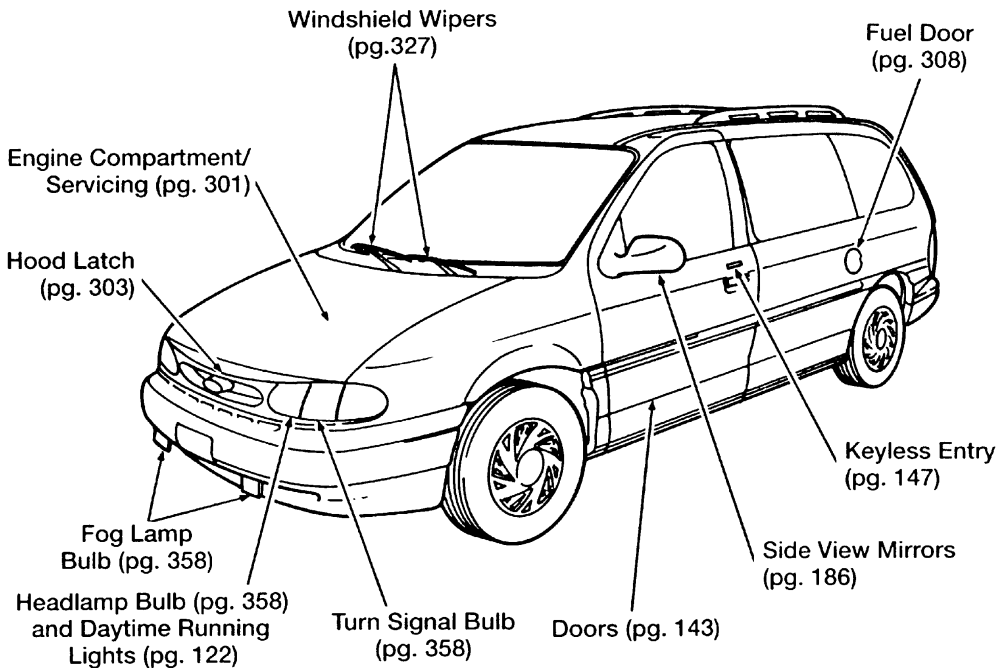


| No. | Description | Refer to this label for information regarding: |
|-----|---|--|
| 1 | Air Bag Warning Label | Air bag precautions |
| 2 | Child Seat Label | Child seat installation precautions |
| 3 | Fuel Pump Shut-Off Label | Fuel pump shut-off location |
| 4 | Safety Compliance Certification Label | Name and date of manufacturer, GVWR*, GAWR** |
| 5 | Vehicle Identification Number (VIN) Label | Servicing or warranty information specific to your vehicle |
| 6 | Bench Seat Stowage Hook Caution Label | Use of stowage hook caution |
| 7 | Built-in Child Seat Warning Label | Precautions regarding built-in child set safety belt use |
| 8 | Child Proof Lock Label | Operation of child proof lock feature |

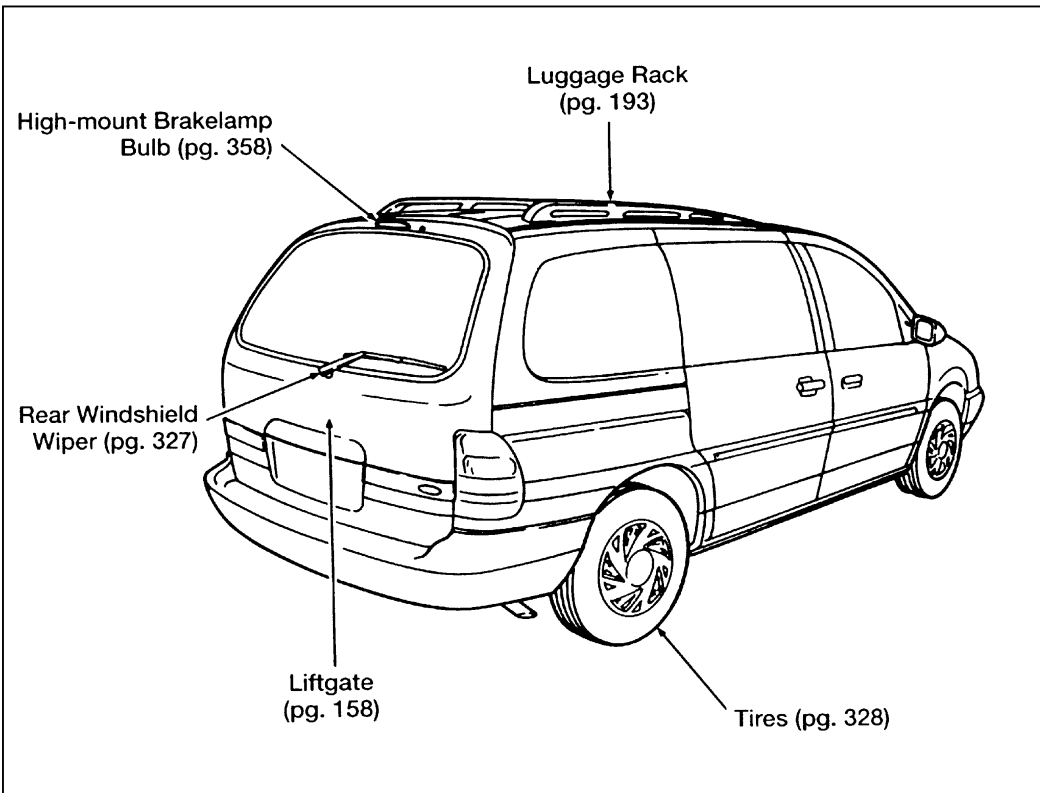
*Gross Vehicle Weight Rating

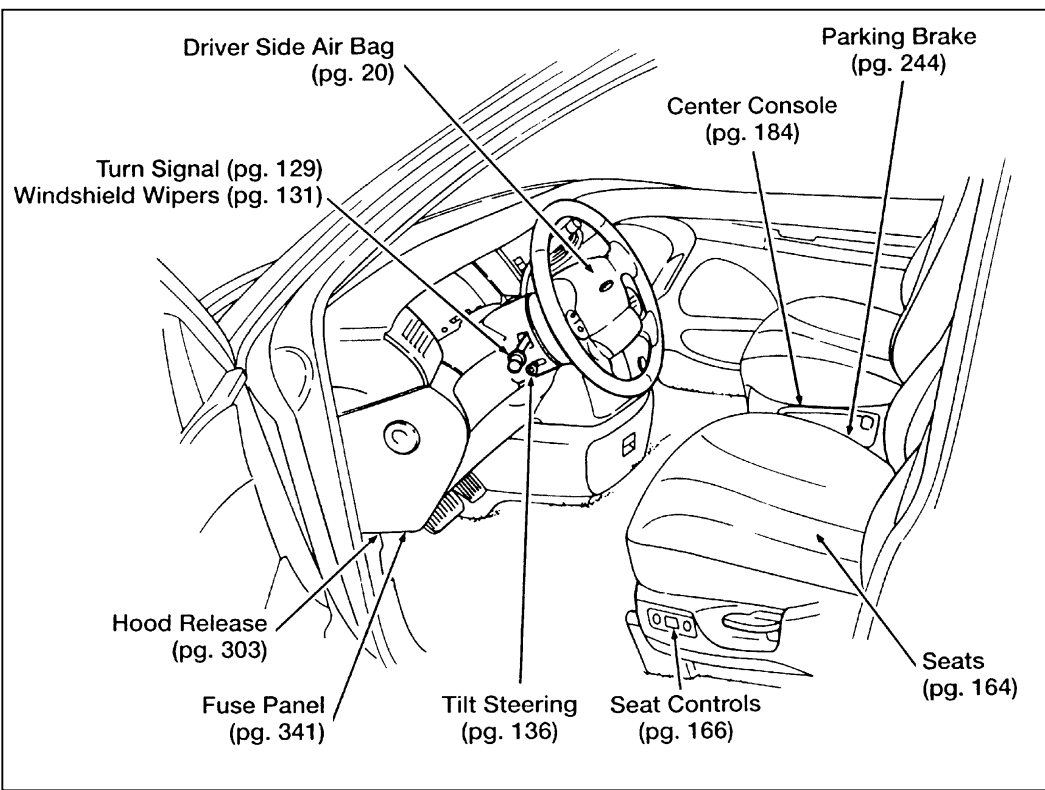
**Gross Axle Weight Rating

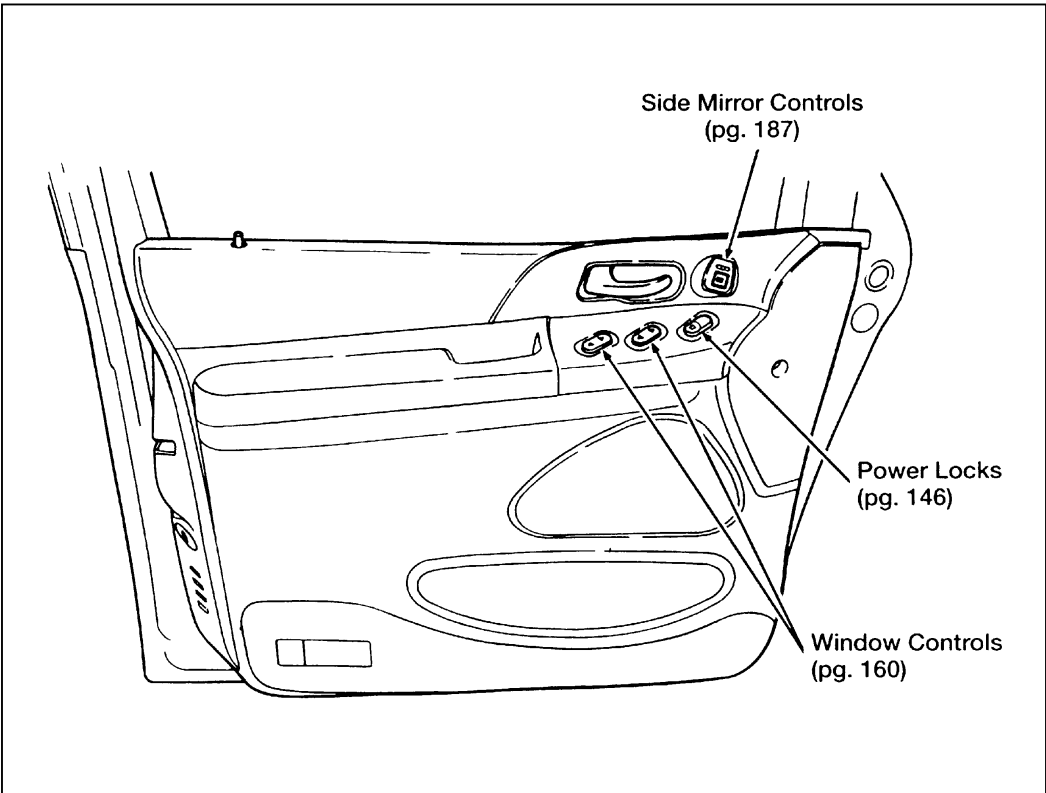
Warning label locations

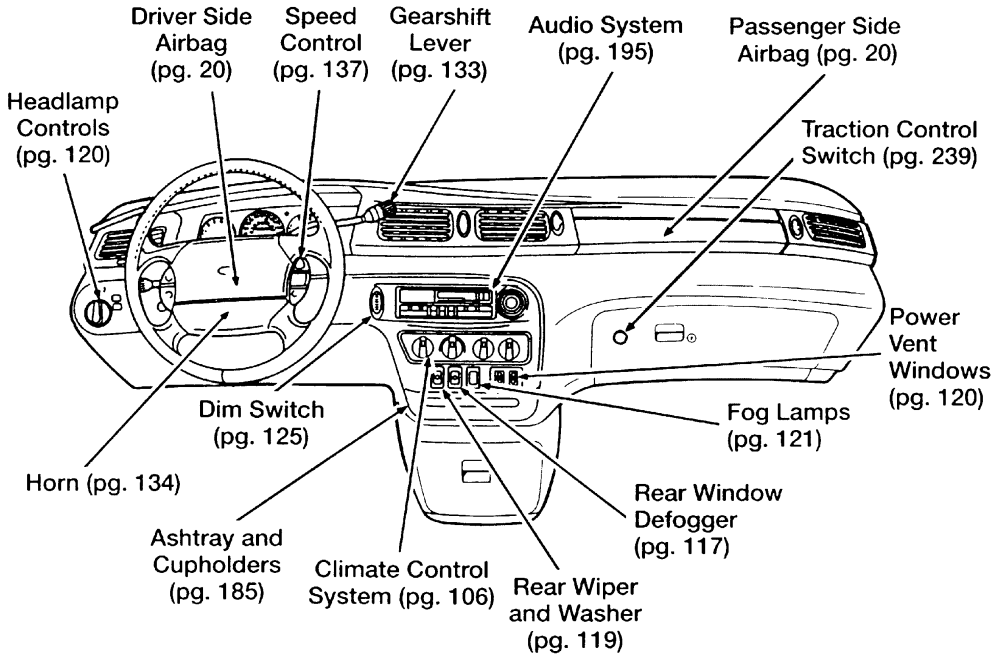


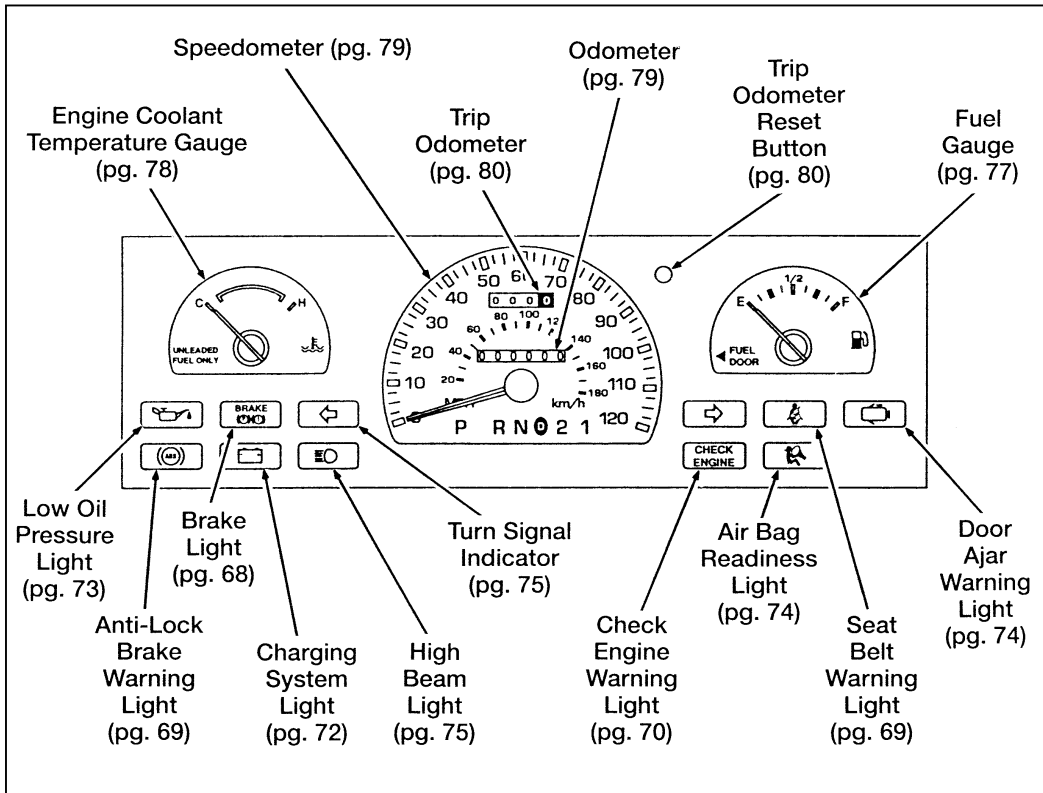
Rear exterior view

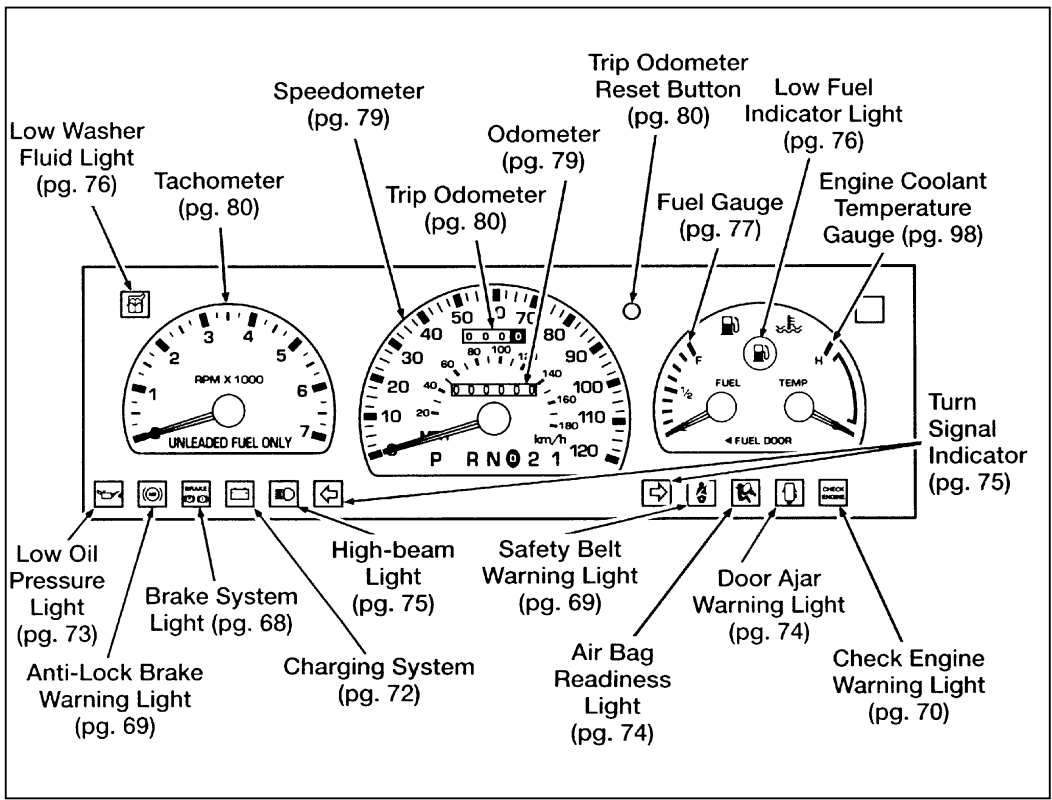


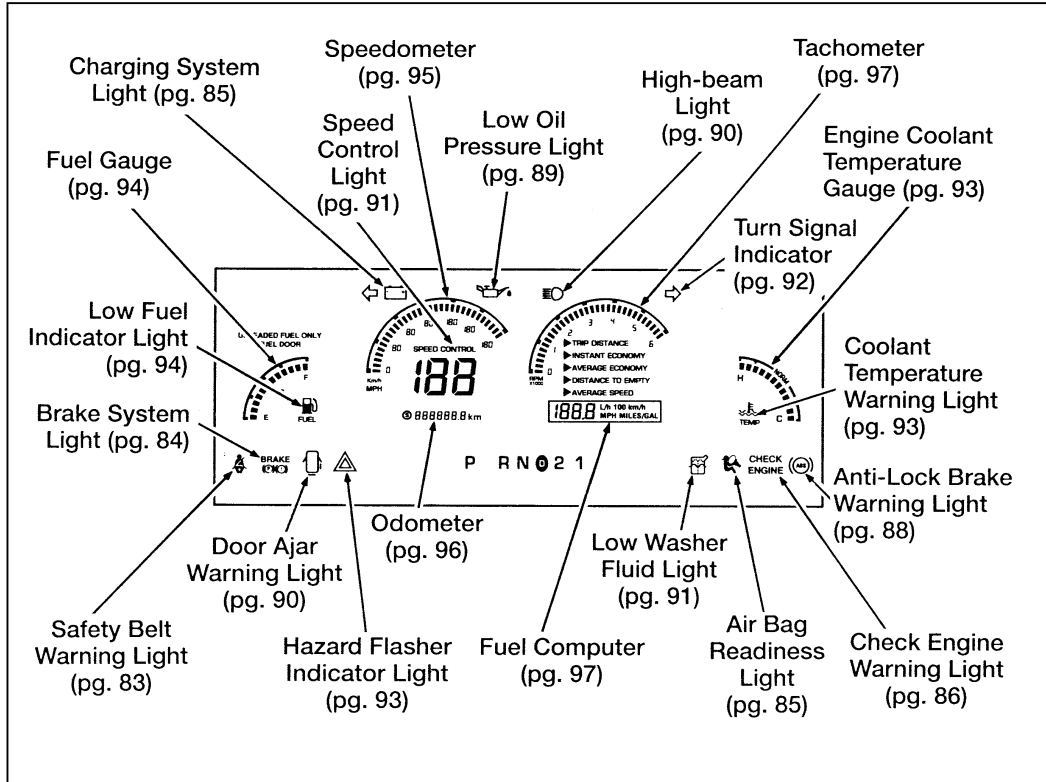


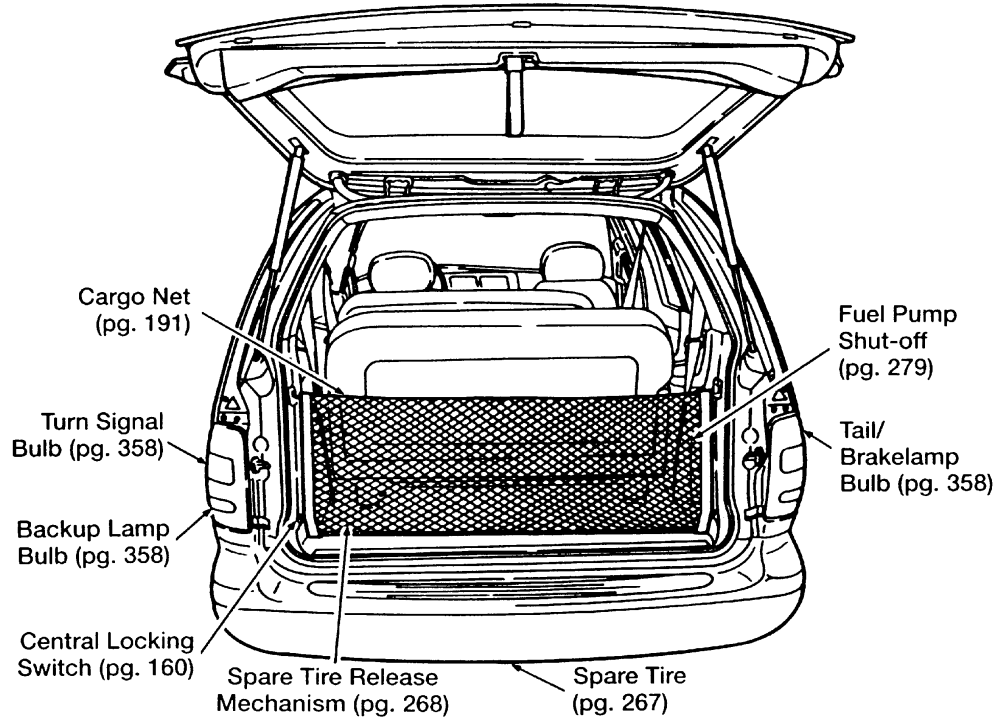












Index

A

| | |
|---|----------|
| ABS warning light (see Anti-lock brake system) | 69, 88 |
| Accessory position on the ignition. | 55 |
| Additives, engine oil. | 317 |
| Air bag supplemental restraint system. | 19, 40 |
| and child safety seats | 20, 39 |
| description | 19, 21 |
| disposal | 25 |
| driver air bag. | 19, 21 |
| indicator light. | 74, 85 |
| operation. | 21 |
| passenger air bag | 21 |
| proper seating | 20 |
| tone generator | 25 |
| wearing safety belts | 19 |
| Air conditioning, manual heating and air conditioning system | 108 |
| Alarm, activating remote personal. | 152 |
| Alcohol, in fuel | 312 |
| Aluminum wheels | 272 |
| Antenna, radio (see Electronic sound system). | 128, 195 |
| Antifreeze (see Engine coolant) | 319 |
| Anti-lock brake system (ABS) description | 240 |
| noise. | 241 |
| see also Brake. | 240 |
| warning light | 69, 88 |
| Anti-theft lug nuts and key. | 273 |
| Anti-theft system arming the system. | 156 |
| description | 156 |
| disarming an untriggered system | 157 |
| disarming a triggered system. | 157 |
| triggering. | 156, 157 |
| warning light | 104 |
| Assistance (see Customer assistance). | 283 |

| | |
|--|-----|
| Audio system (see Electronic sound system) | 195 |
| Autolamp system (see Headlamps) | 123 |
| Autolock (see Keyless entry) | 154 |
| Automatic transaxle | |
| driving with | 235 |
| fluid, adding | 337 |
| fluid, checking | 336 |
| fluid, refill capacities | 363 |
| fluid, specification. | 365 |

B

| | |
|--|----------|
| Backing up | 236 |
| Basic vehicle warranty | 3 |
| Battery | |
| acid, treating emergencies | 261, 325 |
| battery saver | 151 |
| charging system warning light | 72, 85 |
| how to service | 323 |
| jumping a disabled battery. | 261 |
| maintenance-free | 323 |
| proper disposal, recycling | 324 |
| when storing your vehicle | 368 |
| Brake fluid | |
| brake warning light | 68, 84 |
| checking and adding | 337 |
| specifications | 338, 365 |
| Brakelamp, bulb replacement | 354 |
| Brakes | |
| adjustment | 240 |
| anti-lock | 240 |
| anti-lock brake system (ABS) warning light | 69, 88 |
| applying the brakes | 243 |
| brake warning light | 68, 84 |
| fluid, checking and adding. | 337 |
| fluid, specifications | 338, 365 |
| front disc. | 240 |
| if brakes do not grip well | 242 |
| new brake linings | 4 |

Index

| | |
|--|---------------|
| Brakes (continued) | |
| noise | 242 |
| parking | 244 |
| stopping distances | 243 |
| trailer | 256 |
| when storing your vehicle | 368 |
| Brake-shift interlock | 236 |
| Break-in period | 4 |
| Built-in child seat | |
| cleaning | 37 |
| operation | 27 |
| Bulbs, replacing | |
| headlamps | 352 |
| specifications | 358 |
| C | |
| Canada, customer assistance | 292 |
| Canadian Motor Vehicle Arbitration Plan (CAMVAP) | 292 |
| Capacities for refilling fluids | 363 |
| Carbon monoxide in exhaust | 62 |
| Cargo net | 192 |
| Car seats for children (see Child safety seats) | 39 |
| Cassette tape player | |
| (see Electronic sound system) | 213, 225, 228 |
| Catalytic converter | 359 |
| CD player (see Electronic sound system) | 201 |
| Chains, tires | 333 |
| Changing a tire | 267 |
| Charging system warning light | 72, 85 |
| Childproof locks | 144 |
| Child safety restraints | 25 |
| built-in child seat | 27 |
| child safety belts | 38 |
| child safety seats | 39 |
| Child safety seats | |
| and air bags | 20, 39 |
| attaching with tether straps | 50 |

| | |
|--|---------------|
| Child safety seats (continued) | |
| automatic locking mode (retractor) | 39 |
| built-in child seat | 27 |
| in front seat | 39 |
| in rear outboard seat | 39 |
| tether anchorage hardware. | 50 |
| Chime | |
| headlamps on | 122 |
| safety belt | 69, 83 |
| Cleaning your vehicle | |
| built-in child seat | 37 |
| CD player and discs. | 204 |
| chrome and aluminum parts | 6 |
| exterior | 5 |
| exterior lamps | 125 |
| fabric | 5, 184 |
| headlamps | 125 |
| instrument panel | 106 |
| instrument panel lens | 106 |
| interior lamps | 128 |
| plastic parts | 6 |
| polishing. | 5 |
| rustproofing | 6 |
| safety belts | 18 |
| tail lamps | 125 |
| upholstery and interior trim | 184 |
| washing | 5 |
| wheels | 3, 335 |
| Climate control system | |
| air conditioning. | 106 |
| heating. | 106 |
| Clock. | 200, 216, 231 |
| Cold engine starting. | 58 |
| Combination lap and shoulder belts. | 9 |
| Compact disc radio (see Electronic sound system) | 196 |
| Console, description | 186 |
| Controls | |
| instrument panel | 105 |

Index

| | |
|---|----------|
| Controls (continued) | |
| steering column | 129 |
| Coolant (see Engine coolant) | |
| drain and flush | 323 |
| preparing for storage | 368 |
| proper solution | 321 |
| refill capacities | 363 |
| specifications | 320, 365 |
| temperature gauge | 78, 93 |
| Cruise control (see Speed control) | 137 |
| Cupholder(s) | 187 |
| Customer Assistance Center, Ford (U.S.) | 284 |

D

| | |
|--|--------|
| Dashboard (see Instrument panel) | 105 |
| Daytime running light system | 122 |
| Defrost | |
| rear window | 117 |
| windshield | 106 |
| Dispute Settlement Board. | 286 |
| Doors | 143 |
| door ajar warning light | 74, 90 |
| lubricant specifications. | 365 |
| Driving under special conditions | |
| bad weather | 247 |
| heavy load | 248 |
| high speed | 246 |
| high water | 247 |
| slippery roads | 247 |
| towing a trailer | 249 |

E

| | |
|--|-----|
| Electrical system | |
| operating when the engine is off | 55 |
| relays | 350 |
| Electronic sound system | |
| antenna | 128 |

| | |
|---|---------------|
| Electronic sound system (continued) | |
| radio reception | 232 |
| tuning the radio | 197, 209, 226 |
| warranty and service information. | 234 |
| Electronic stereo cassette radio | |
| (see Electronic sound system) | 225 |
| Emergencies, roadside | |
| assistance | 283 |
| battery acid spills | 261, 325 |
| jump-starting | 261 |
| towing | 281 |
| Emergency brake (parking brake) | 244 |
| Emission control system | |
| catalytic converter. | 359 |
| emissions warranty | 360 |
| Engine | |
| check engine warning light | 70, 86 |
| does not start. | 61 |
| fuel injected engine, starting | 57 |
| fuel pump shut-off switch | 61 |
| preparing to start | 57 |
| service points. | 305 |
| starting | 55 |
| starting after a collision | 280 |
| storing your vehicle. | 367 |
| Engine block heater | 60 |
| Engine coolant | |
| checking and adding | 319 |
| checking hoses | 323 |
| preparing for storage | 368 |
| proper solution | 321-322, 337 |
| specifications | 365 |
| Engine coolant temperature gauge, description | 78, 93 |
| Engine knocking | 311 |
| Engine oil | |
| changing oil and oil filter | 318 |
| checking and adding | 317 |
| dipstick | 317 |

Index

| | |
|---|--------|
| Engine oil (continued) | |
| disposal | 318 |
| engine oil pressure warning light | 73, 89 |
| filter, specifications | 364 |
| refill capacities | 363 |
| synthetic oil | 317 |
| “break-in” oils | 5 |
| viscosity | 317 |
| Entry system | |
| illuminated | 154 |
| keyless | 147 |
| remote | 151 |
| Exhaust fumes. | 62 |
| Extended Service Plan, Ford | 4 |

F

| | |
|---|--------|
| Federal Communications Commission | 233 |
| Flashers, hazard | 135 |
| Flashing the lights | 130 |
| Flat tire. | 267 |
| Fluid refill capacities. | 363 |
| Foglamps | 121 |
| Ford Dispute Settlement Board | 286 |
| Ford Extended Service Plan. | 4 |
| Ford Motor Company of Canada | 292 |
| Ford of Canada Customer Assistance Centre | 292 |
| Foreign registration | 290 |
| French owner guides, how to obtain. | 3 |
| Fuel | |
| calculating fuel economy. | 314 |
| capacity | 363 |
| choosing the right fuel. | 310 |
| filling your vehicle with fuel | 308 |
| fuel gauge | 77, 94 |
| improving fuel economy | 315 |
| low fuel warning light. | 76 |
| octane rating | 310 |

| | |
|---|--------|
| Fuel (continued) | |
| quality | 311 |
| running out of fuel | 314 |
| storing your vehicle | 367 |
| treating emergencies. | 312 |
| Fuel and distance computer | |
| average economy | 100 |
| engine/metric button | 98 |
| instant economy | 99 |
| reset button | 98 |
| select button | 98 |
| to empty indicator | 100 |
| trip distance | 99 |
| Fuel cap, replacing | 309 |
| Fuel filter, specifications | 364 |
| Fuel gauge | 77, 94 |
| Fuel pump shut-off switch | 61 |
| Fuse panels, engine compartment | 348 |
| Fuses, checking and replacing | 342 |

G

| | |
|--|----------|
| Gas mileage (see Fuel economy) | 310, 314 |
| Gauges, Mechanical | |
| engine coolant temperature gauge | 78, 93 |
| fuel gauge | 77, 94 |
| odometer. | 79, 96 |
| speedometer | 79, 95 |
| tachometer | 97 |
| trip odometer. | 80 |
| GAWR (Gross Axle Weight Rating) | |
| calculating | 253 |
| definition. | 251 |
| Gearshift | |
| automatic operation | 235 |
| positions | 235 |
| shifting the gears | 235 |
| shift-lock | 236 |

Index

| | |
|------------------------------------|-----|
| GVWR (Gross Vehicle Weight Rating) | |
| calculating | 253 |
| definition | 251 |

H

| | |
|--|--------|
| Hazard flashers | 135 |
| Headlamps | |
| autolamp system | 123 |
| checking alignment | 352 |
| cleaning | 125 |
| daytime running lights. | 122 |
| flashing | 130 |
| high beam | 130 |
| replacing bulbs | 352 |
| turning on and off | 120 |
| warning chime | 122 |
| Head restraints | 171 |
| Heated mirrors | 190 |
| Heating | |
| manual heating and air conditioning system | 106 |
| rear seat controls | 116 |
| High beams, indicator light. | 75, 90 |
| Hitch | 255 |
| Hood | |
| latch location | 303 |
| lubrication specifications | 365 |
| release lever | 303 |
| Horn | 134 |
| Hoses, checking | 323 |

I

| | |
|--|-----|
| Identification Number, Vehicle (VIN) | 285 |
| Idle, relearning | 266 |
| Ignition | |
| positions of the ignition | 55 |
| removing the key | 56 |
| Indicator lamp module | 102 |

| | |
|---|--------|
| Infant seats (see Safety seats) | 25, 39 |
| Instrument cluster | 65 |
| mechanical | 68 |
| Instrument panel | |
| cleaning | 106 |
| lighting up panel and interior | 125 |
| location of components | 105 |
| registers | 107 |
| Integrated child seat (see Built-in child seat) | 27 |
| Interval wipers | 131 |

J

| | |
|-------------------------------|-----|
| Jack | |
| operation. | 270 |
| positioning | 270 |
| Jump-starting your vehicle | |
| attaching cables. | 263 |
| disconnecting cables. | 266 |

K

| | |
|---------------------------------------|-----|
| Keyless entry system | |
| autolock | 154 |
| locking and unlocking doors | 150 |
| programming entry code | 149 |
| Keys | |
| positions of the ignition | 55 |
| removing from the ignition | 56 |
| stuck in lock position | 56 |

L

| | |
|--|-----|
| Lamps | |
| daytime running light system | 122 |
| dome lamps | 126 |
| flashing the lamps | 130 |
| fog lamps | 121 |
| hazard flashers | 135 |
| headlamps | 120 |
| high beams. | 130 |

Index

| | |
|---|---------|
| Lamps (continued) | |
| illuminated mirrors | 191 |
| interior lamps. | 125 |
| map lamps | 127 |
| trailer | 256 |
| Lane change indicator (see Turn signal) | 129 |
| Lap belts | 17 |
| Liftgate | 158 |
| Lights, warning and indicator | |
| air bag | 74, 85 |
| anti-lock brakes (ABS) | 69, 88 |
| anti-theft | 104 |
| brake | 68, 84 |
| charging system. | 72, 85 |
| check engine | 70, 86 |
| door ajar | 74, 90 |
| hazard warning light | 93 |
| high beam | 75, 90 |
| low fuel | 76 |
| low washer fluid | 76, 91 |
| oil pressure. | 73, 89 |
| safety belt | 69, 83 |
| speed control | 91, 142 |
| theft system | 104 |
| traction control system. | 102 |
| turn signal indicator | 75, 92 |
| Load limits, trailer towing | 254 |
| Lubricant specifications. | 365 |
| Luggage rack | 193 |
| Lug nuts | |
| anti-theft | 273 |
| tightening sequence | 278 |
| Lumbar support pad. | 170 |

M

| | |
|--------------------------------------|-----|
| Maintenance (see servicing). | 301 |
| Map pockets | 185 |

| | |
|---|----------|
| Mileage, calculating fuel economy. | 314 |
| Mirrors | |
| automatic dimming rearview mirror | 144, 190 |
| heated | 190 |
| rearview | 188 |
| vanity mirror, illuminated | 191 |
| Motorcraft parts. | 364 |

O

| | |
|---|--------|
| Octane rating | 310 |
| Odometer | |
| description | 79, 96 |
| trip odometer. | 80 |
| Oil (see Engine oil) | 316 |
| On-board diagnostic (OBD II) system | 361 |
| Order forms, service information | 198 |
| Overdrive | 237 |

P

| | |
|--|--------|
| Panic alarm feature, remote entry system | 152 |
| Parking brake | |
| operation. | 244 |
| warning light | 68, 84 |
| Parts (see Motorcraft Parts). | 364 |
| PCV valve, specifications. | 364 |
| Power door locks | 146 |
| Power features | |
| door locks | 146 |
| lumbar support. | 170 |
| mirrors. | 189 |
| seats. | 169 |
| windows. | 160 |
| Power steering | |
| dipstick | 339 |
| driving with power steering | 240 |
| fluid, checking and adding. | 339 |
| fluid, specifications | 365 |
| servicing | 240 |

Index

R

| | |
|--|--------|
| Radio (see Electronic sound systems) | 195 |
| Rear climate control system. | 116 |
| Rearview mirror. | 190 |
| Rear window | 160 |
| defroster | 117 |
| washer | 119 |
| Refill capacities for fluids. | 363 |
| Relays | 350 |
| Remote entry system | |
| illuminated entry | 154 |
| locking/unlocking doors | 152 |
| panic alarm. | 152 |
| replacement/additional transmitters. | 154 |
| replacing the batteries | 153 |
| Restraints, safety (see Safety restraints) | |
| adult. | 7 |
| child. | 25 |
| infant | 25, 39 |
| Roadside assistance | 283 |
| Roadside emergencies | 261 |
| Rotating the tires | 329 |

S

| | |
|--|--------|
| Safe driving tips. | 245 |
| Safety information relating to automotive fuels. | 312 |
| Safety restraints | |
| center front lap belt | 17 |
| center rear lap belt | 17 |
| cleaning the safety belts | 18 |
| extension assembly | 18 |
| for children. | 25 |
| for infants | 25, 39 |
| lap and shoulder belts. | 9 |
| lap belt. | 17 |
| maintenance | 18 |
| replacement. | 18 |

| | |
|--|--------|
| Safety restraints (continued) | |
| warning light and chime. | 83 |
| Safety seats for children | |
| and air bags | 20, 39 |
| attaching with tether straps | 50 |
| built-in child seat | 27 |
| in front seat | 39 |
| in rear outboard | 39 |
| in rear seat. | 39 |
| tether anchorage hardware. | 50 |
| Seats | |
| child safety seats | 39 |
| cleaning upholstery | 184 |
| seat/bed conversion. | 173 |
| Servicing your vehicle, precautions when servicing | 301 |
| Shoulder and lap belts (see Safety restraints). | 9 |
| Snow tires and chains | 333 |
| Special driving conditions | 245 |
| Speed control | |
| canceling a set speed | 141 |
| resetting | 140 |
| resuming a set speed | 141 |
| Speedometer | 79, 95 |
| Starting your vehicle, preparing to start your vehicle | 57 |
| Steering wheel | |
| horn. | 134 |
| speed controls | 137 |
| tilting | 136 |
| Storage compartments, map pockets. | 185 |
| Storing your vehicle | 366 |
| Supplemental air bag readiness light | 74, 85 |
| Supplemental Restraint System (SRS) | 19 |

T

| | |
|--|-----|
| Tachometer | 97 |
| Tail lamps, cleaning | 125 |
| Tether anchor installation (see Child restraints). | 50 |

Index

| | |
|---|--------|
| Tires | |
| cleaning | 3, 335 |
| replacing | 330 |
| rotating | 329 |
| snow tires and chains | 333 |
| storing your vehicle | 368 |
| tire grades | 332 |
| treadwear | 332 |
| Towing your vehicle, with a tow truck | 281 |
| Trailer towing, tips | 257 |
| Transaxle, fluid, checking and adding (automatic) | 336 |
| Transmitter (see Remote entry) | 151 |
| Trip odometer. | 80 |
| Turn signal, indicator lights | 75, 92 |

V

| | |
|------------------------------------|-----|
| Variable interval wipers | 131 |
| Vehicle storage | 366 |

W

| | |
|---|--------|
| Warning chimes, safety belt. | 83 |
| Warning lights (see Lights) | 65 |
| Warranties, radio | 234 |
| Warranty Information Booklet | 3 |
| Washer fluid, reservoir. | 325 |
| Wheels | |
| cleaning | 3, 335 |
| inspection and maintenance | 328 |
| Windows | 160 |
| Windshield washer fluid and wipers | |
| checking and adding fluid | 325 |
| checking and replacing wiper blades | 327 |
| operation | 131 |
| reservoir | 325 |
| specifications | 326 |

Service Station Information

| | GL | LX | GL |
|---|---|-----------------|--|
| Engine | 3.0L SEFI | 3.8L SEFI | |
| Fuel | Unleaded only — 87 Octane | | |
| Fuel tank capacity | Standard — 20 gal. (75.7L) Optional — 25 gal. (94.6L) | 25 gal. (94.6L) | Standard — 20 gal. (75.7L) Optional — 25 gal. (94.6L) |
| Tire size | 205/70R15 | P215/70R15 | P205/70R15 |
| Tire pressure | See Safety Compliance Certification Label | | |
| Hood release | Pull lever under left side of instrument panel | | |
| Engine oil | Use only oil displaying the American Petroleum Institute Certification Mark. SAE 5W-30 preferred. | | |
| Engine oil capacity w/filter | 4.5 qts. (4.3L) | 4.5 qts. (4.3L) | |
| Automatic transmission fluid | Motorcraft Mercon® (ATF) | | |
| Automatic transmission fluid capacity | 12.25 qts. (11.6L) | | |
| Power steering fluid | Use only power steering fluid that meets Ford specification ESW-M2C33-F such as Ford Premium Power Steering Fluid, E6AZ-19582-AA, or equivalent | | |
| Engine coolant capacity: with rear heater without rear heater | 14.0 qts. (13.2L) 12.0 qts. (11.3L) | | |